

DONJOY looking forward to your visit! Your telecommunications!



东正科技有限公司
DONJOY TECHNOLOGY CO.,LTD.

地址: 温州空港新区港富路25号
总机: 0577-86990888
传真: 0577-86998000

Add: No.25 Gang fu Road, konggang
new District, Longwan Wenzhou, China
Tel: +86-577-86990888
Fax: +86-577-86998000
E-mail: donjoy@cndonjoy.com

www.cndonjoy.com

法律声明:
目录样册版权归东正所有, 如有抄袭, 必将追究其法律责任和经济赔偿。
东正已获得国家版权局书刊号。东正诸多产品技术, 都具有专利保护, 如有抄袭,
必将追究法律责任和经济赔偿。

Legal statement:
Copyright of the catalogue belongs to Donjoy. If there is plagiarism,
it will be investigated for legal responsibility and economic compensation.
Donjoy has been granted publications number by China's National Copyright.
Donjoy products and technology with patent protection,
If there is plagiarism, it will be investigated for legal responsibility
and economic compensation.

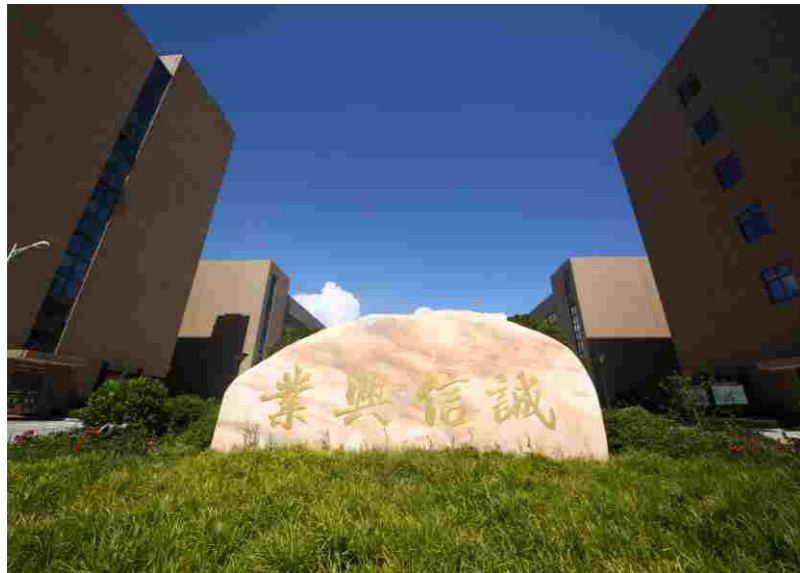
Butterfly valve

02 / 蝶阀 智能制造



国家高新技术企业 专精特新企业

Advantages



30 YEARS

30年的阀门研发与制造
More than 30 years valve and pump R&d and Manufacturing

23 YEARS

23年的高洁净泵研发与制造
More than 23 years high purity pump R&d and Manufacturing

18 YEARS

18年的阀门控制器研发与制造
More than 18 years valve controller R&d and Manufacturing

15 YEARS

15年的清洗技术研发与制造
More than 15 years Cleaning technology R&d and Manufacturing

300

300多人的专业团队
A profession team of over 300 people

200

200多项知识产权
More than 200 intellectual property rights

30

30多项国际权威认证
More than 30 international authoritative certifications

20

20多项国家与省级荣誉
More than 20 national and provincial honors certificates

超过10年研发经验
工程师队伍
We have more than 10 years experienced engineer team in R & D.

日本Mazak
CNC复合型加工中心
CNC切削中心
CNC车床
Japan Mazak
CNC compound machining center
CNC cutting center
CNC lathe

发那科《Fanuc》
全自动机器人生产线
《Fanuc》 Automatic robot
production line

高新技术企业、
省著名商标、
主任质量奖、4项发明、
200余项专利
New high-tech enterprise.
Provincial famous trademark.
Director's Quality Award.4 inventions
More than 200 patents

欧盟CE
美国3-A, FDA
中国特种制造许可证 TS
防爆认证ATEX CNEX
European Union CE certificate
USA 3-A, FDA
China Special Manufacturing
License TS
ATEX CNEX

我们能为你提供
定制化技术服务和制造,
OEM ODM
We can provide
you OEM & ODM service

领先的检测手段,
30多台专业检测设备和
50多种检测方法, 确保
每个产品性能和精度
Advanced detection method,
More than 30 pcs professional
testing equipment. More than
50 inspection ways, insure product
performance and accuracy

30 YEARS

30年洁净领域的专注
30 years of focus in the field of cleanliness

30 YEARS

30年工程应用经验与市场考验
30 years of engineering application experience and market test

三十而立正蕴含着新的力量，
未来我们将一如既往的致力于技术革新！
We Donjoy have established for 30 years, still full of
new energy, in the future we will stick to concentrate on
technology innovation

Introduction

东正创立于1993年，占地面积29000m²，注册资本1.0558亿元，员工300余人，技术团队30余人，200余项知识产权，国际权威认证30余项，国家与省级荣誉证书20余项，且拥有国际领先的加工技术和制造设备，如Mazak CNC四轴、五轴加工中心、复合型切削中心、FANUC机器人生产线以及各种国际领先的检测设备。

东正制造的产品远销全球并获得国内外用户高度好评，我们产品和技术涵盖高洁净泵、阀门控制技术、PID自控阀门、高洁净阀门、容器管道安全控制技术、容器清洗技术、容器管道照明技术、过滤技术以及高洁净管道和配件等。广泛应用于生物制药、食品饮料、酿酒、精细化工、日化洗涤、纺织印染、电池和新能源等工业领域。

Donjoy is founded in 1993, covers an area of 29,000 square meters, registered capital of 105.58 million yuan, we have more than 300 employees, we have more than 30 persons technical team, we have more than 200 intellectual property rights, we have more than 30 authoritative international certification, we have more than 20 national and provincial certifications, and has an international leader of first processing technology and manufacturing equipment, such as Mazak CNC four axis, five axis machining center, compound cutting center, FANUC robot production line and various international collar first detection equipment, etc.

The products manufactured by Donjoy are sold all over the world and are highly praised by domestic and overseas Products and technology cover high purity pump, valve control technology, PID automatic control valve, high purity valve, container pipeline safety control technology, container cleaning technology, container pipe road lighting technology, filtration technology and high purity pipes and accessories. Widely used in the biopharmaceuticals, food and beverage, wine, fine chemicals, daily chemical washing, textile printing and dyeing, battery and new energy and other industrial fields.

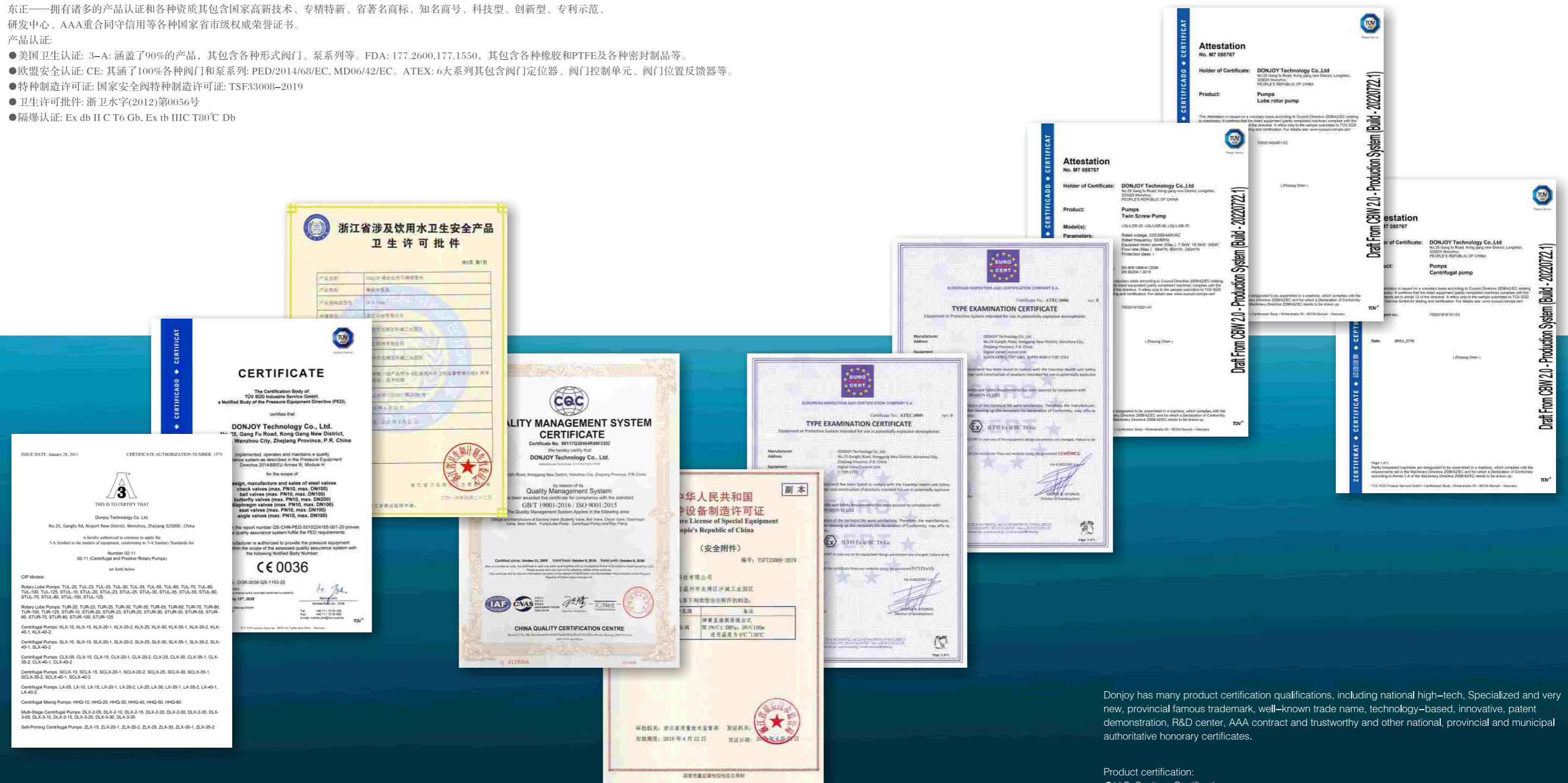


Certification

东正——拥有诸多的产品认证和各种资质其包含国家高新技术、专精特新、省著名商标、知名商号、科技型、创新型、专利示范、研发中心、AAA重合同守信用等各种国家省市级权威荣誉证书。

产品认证:

- 美国卫生认证: 3-A: 涵盖了90%的产品, 其包含各种形式阀门、泵系列等。FDA: 177.2600, 177.1550, 其包含各种橡胶和PTFE及各种密封制品等。
- 欧盟安全认证: CE: 其涵盖了100%各种阀门和泵系列: PED/2014/68/EC, MD06/42/EC。ATEX: 6大系列其包含阀门定位器、阀门控制单元、阀门位置反馈器等。
- 特种制造许可证: 国家安全阀特种制造许可证: TSF33008-2019
- 卫生许可批件: 浙卫水字(2012)第0056号
- 防爆认证: Ex db IIC T6 Gb, Ex tb IIIC T80°C Db



Donjoy has many product certification qualifications, including national high-tech, Specialized and very new, provincial famous trademark, well-known trade name, technology-based, innovative, patent demonstration, R&D center, AAA contract and trustworthy and other national, provincial and municipal authoritative honorary certificates.

- Product certification:
- U.S. Sanitary Certification
 - 3-A: Covers 90% of products, including all kinds of valves, pump, etc.
 - FDA: 177.2600, 177.1550, containing various rubber, PTFE and other sealing products.
 - EU safety certification
 - CE: covers all kinds of valves and pumps: PED/2014/68/EC, MD06/42/EC.
 - ATEX: 6 major series, including valve positioner, valve control unit, valve position feedback device, etc.
 - Special manufacturing license: National safety valve special manufacturing license: TSF33008-2019
 - Sanitation license approval document: Zhewei Shuizi (2012) No. 0056
 - Flameproof certification: Ex db IIC T6 Gb, Ex tb IIIC T80°C Db

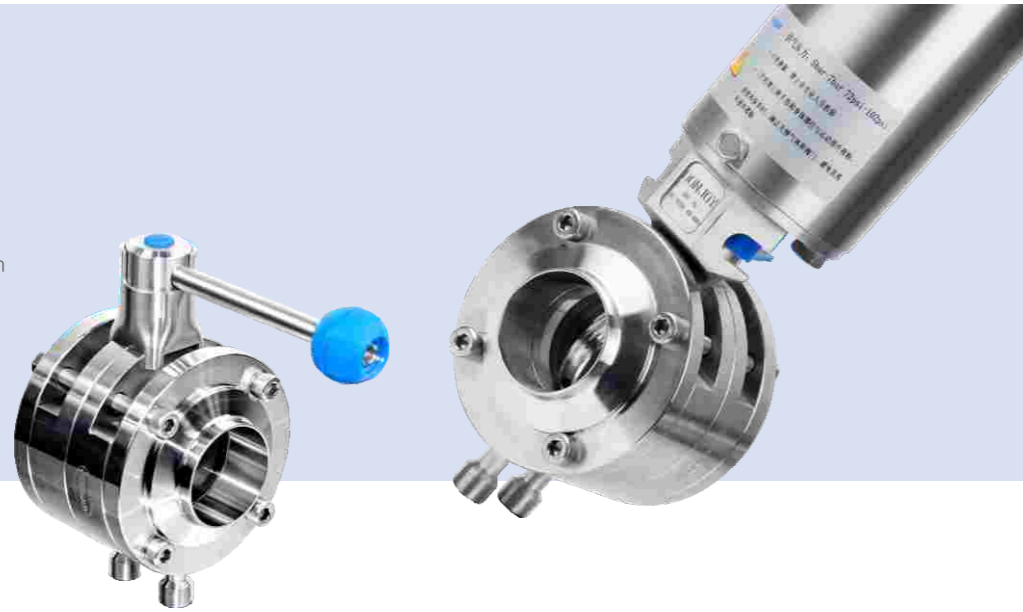
防混蝶阀

Mixproof butterfly valve

DF-FHA type

双座密封保护、内泄露可观察、
阀腔可清洗、零污染风险

Double seat seal protection, Internal leakage can be observed, Valve cavity can be cleaned, Zero pollution risk



产品概述

DF-FHA系列防混双座蝶阀是一款广泛应用于食品、制药、饮料、啤酒、白酒、水处理、化妆品、新能源、日化洗涤等各种行业流体过程应用。该防混蝶阀提供了简易及安全的物料分离方式以便在密封圈损坏的情况下也能防止物料的意外混合。它最常用于隔离那些需要安全分离的物料以及单组CIP清洗(不是阀阵组件), 或者在阀阵组件终端(例如CIP回程)或者CIP溶液输入到罐内(通过清洗球)。

技术特点

- 规格: 2"-4", DN50-DN100
- 材质: 304/1.4301, 316L/1.4404, ASME BPE 316L 1.4435 NB2 Fe≤0.5%
- 压力: 真空~10bar(1.0 MPa)
- 温度: EPDM -20°C到+130°C, 取决于密封于材质
- 密封: EPDM SILICON FKM FFKM HNBR FVMQ NBR
- 连接标准: DIN SMS ISO IDF RJT BS4825 ASME BPE 3A DIN11864 DIN11853
- 连接方式: 螺纹、卡箍、焊接、法兰
- 驱动方式: 手动、气动
- 光洁度: Ra≤0.8 μm; MP=Ra≤0.3 μm; EP=Ra≤0.3 μm
- 认证: FDA 177.2600; 3A-18-03; Glass II USP Glass VI Chapter 88; GB4806.11; EG VO/1935-2004; PED/97/23/EC

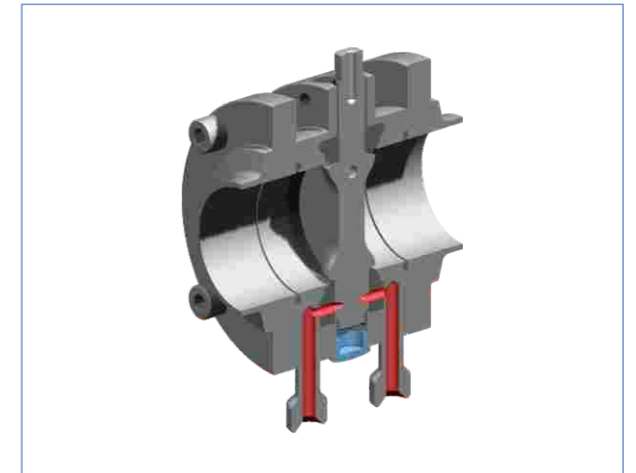
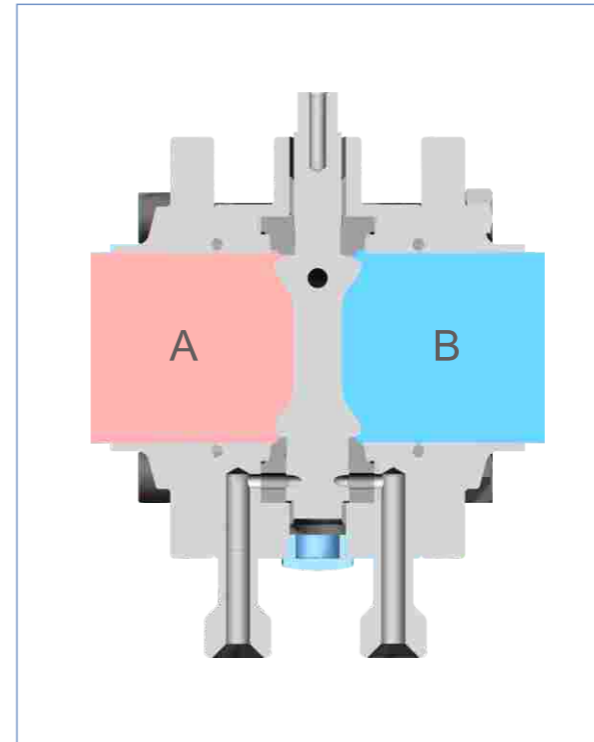
Product description

DF-FHA series mixproof double seat butterfly valve is widely used in various industrial fluid process applications such as food, pharmaceutical, beverage, beer, liquor, water treatment, cosmetics, new energy, daily washing and so on. The mixproof butterfly valve provides an easy and safe means of material separation to prevent accidental mixing of materials in the event of damage to the seal. It is most commonly used to isolate materials that require safe separation and a single set of CIP cleaning (not a valve array assembly), or into the tank assembly terminal (eg, CIP return) or CIP solution into the tank (by cleaning the ball).

Technical Features

- Size: 2"-4", DN50-DN100
- Material: 304/1.4301, 316L/1.4404, ASME BPE 316L 1.4435 NB2 Fe≤0.5%
- Pressure: vacuum to 10bar (1.0 MPa)
- Temperature: EPDM -20°C to +130°C, Depending on the seal material
- Seal: EPDM SILICON FKM FFKM HNBR FVMQ NBR
- Connection standard: DIN SMS ISO IDF RJT BS4825 ASME BPE 3A DIN11864 DIN11853
- Connection method: thread clamp, welding, flange
- Drive mode: manual, pneumatic
- Surface: Ra≤0.8 μm; MP=Ra≤0.3 μm; EP=Ra≤0.3 μm
- Certification: FDA 177.2600; 3A-18-03; Glass II USP Glass VI Chapter 88; GB4806.11; EG VO/1935-2004; PED/97/23/EC

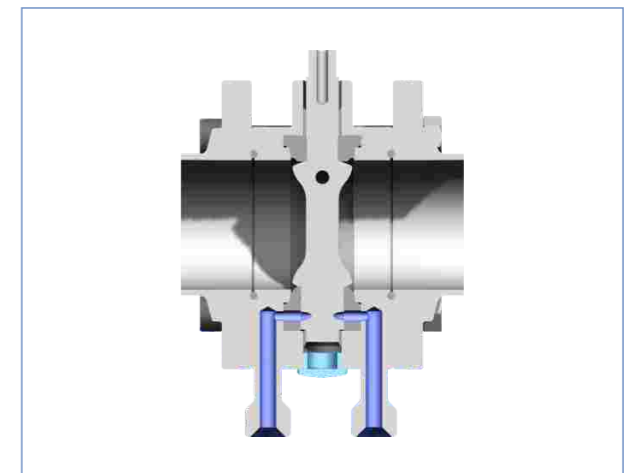
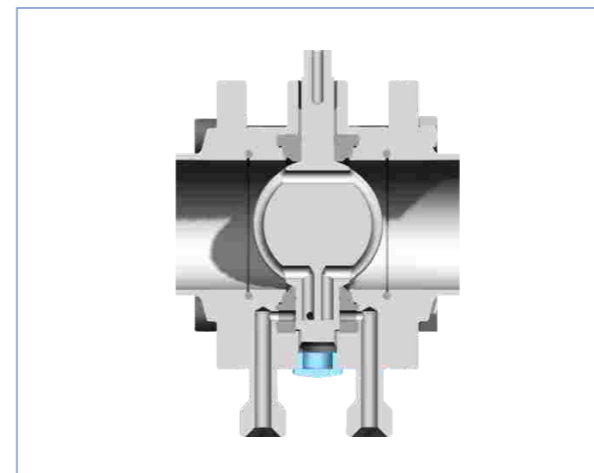
工作原理 Working principle



阀门处于关闭的位置 Valve closed position

当阀门处于未启动的位置(OFF位置), 介质A和介质B是分开的。在这种情况下, 排泄腔是开启的和外部大气相通。切换之后, 在阀门排泄腔内的液体可以通过重力排出。这个连接也可以作为排泄指标。

When the valve is in the inactive position (OFF position), medium A and medium B are separated. In this case, the drain cavity is open and communicates with the outside atmosphere. After switching, the liquid in the drain cavity of the valve can be discharged by gravity. This connection can also be used as an excretion indicator.



阀门开启时 Valve open position

当阀门处于开启的位置, 排泄腔通往外部大气的路就关闭了。

When the valve is in the open position, the passage of the drainage chamber to the outside atmosphere is closed.

清洗排泄腔 Clean the excretion cavity

这个排泄腔在需要的情况下时可以清洗和冲洗的。因此, 两个连接口可以结合成一个CIP回路, 当阀门关闭时, 就可以进行冲洗。供应管道的清洗压力略小于内部过程压力(处于卫生考虑)。

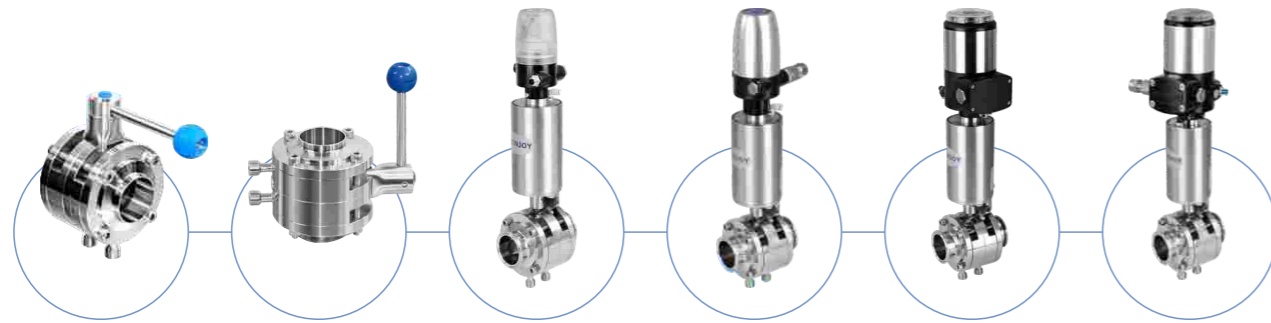
This drain cavity can be cleaned and flushed when needed. Therefore, the two connection ports can be combined into a CIP circuit, and when the valve is closed, flushing can be performed. The cleaning pressure of the supply pipeline should be slightly lower than the internal process pressure (for sanitary considerations).

防混蝶阀 Mixproof butterfly valve

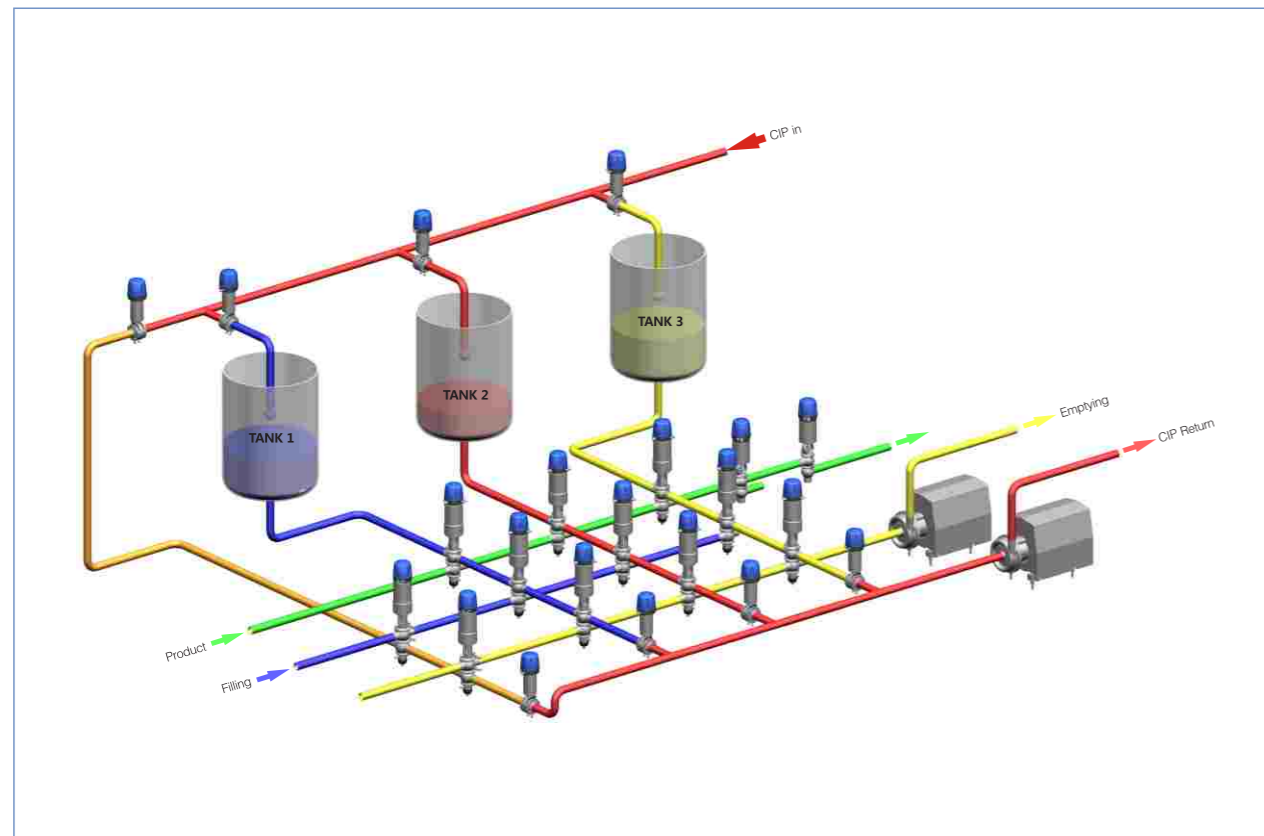
操作扭矩 Operating torque(N.M)

操作扭矩 Operating torque(N.M)	DN50/-2"	2.5"	DN65	3"	DN80	DN100/-4"
	15	20	25	30	40	55

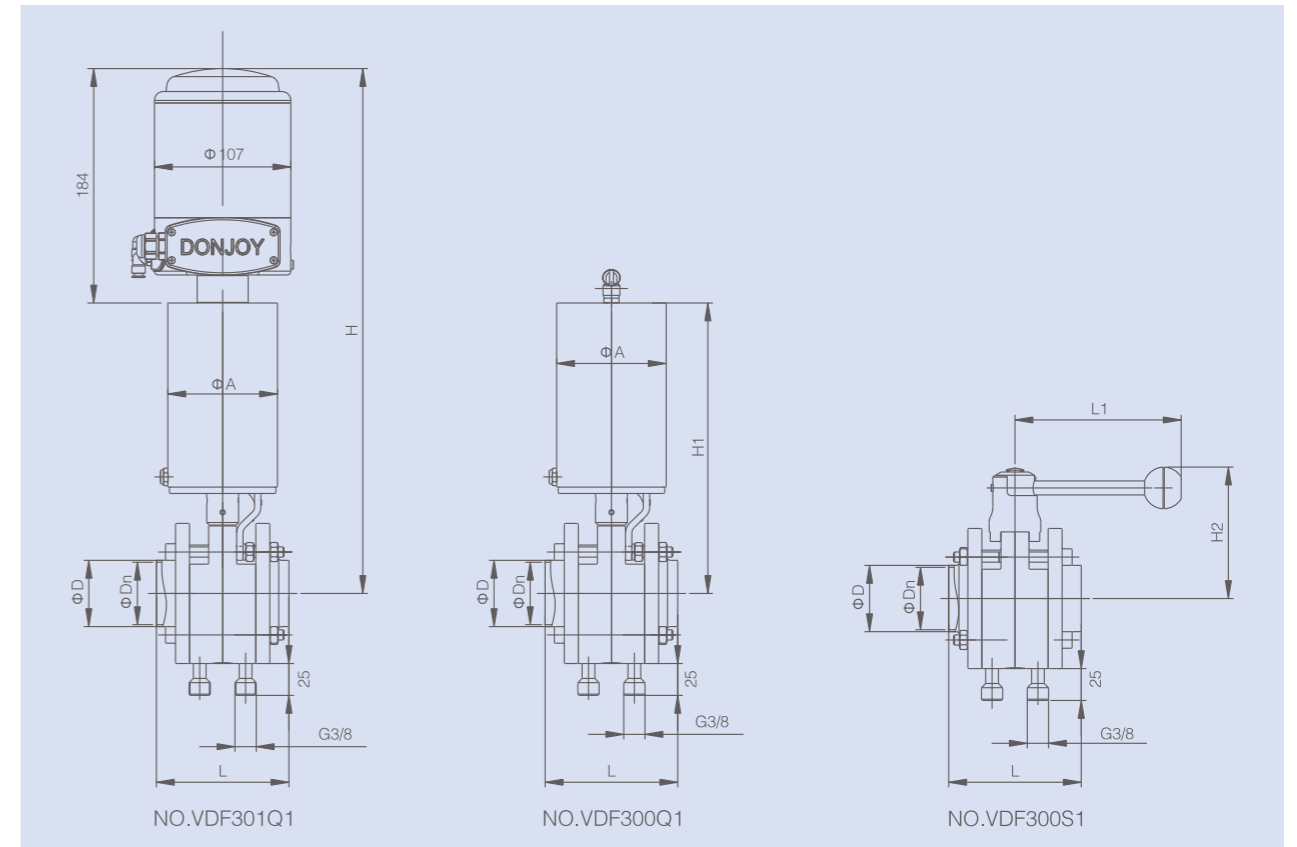
在压力10kgr/cm²下检测 Test under pressure of 10kgrs cm²



典型应用 Typical application



防混蝶阀-A型(焊接式) Mix-proof butterfly valve-A type (welded type)



INCH

SIZE	Dn	D	L	L1	H	H1	H2	A
2"	47.8	50.8	104	133	423	239	102	86
2.5"	59.5	63.5	112	144	489	305	106.5	113
3"	72.2	76.2	116	144	497	313	113	113
4"	97.6	101.6	128	160	512	328	131	113

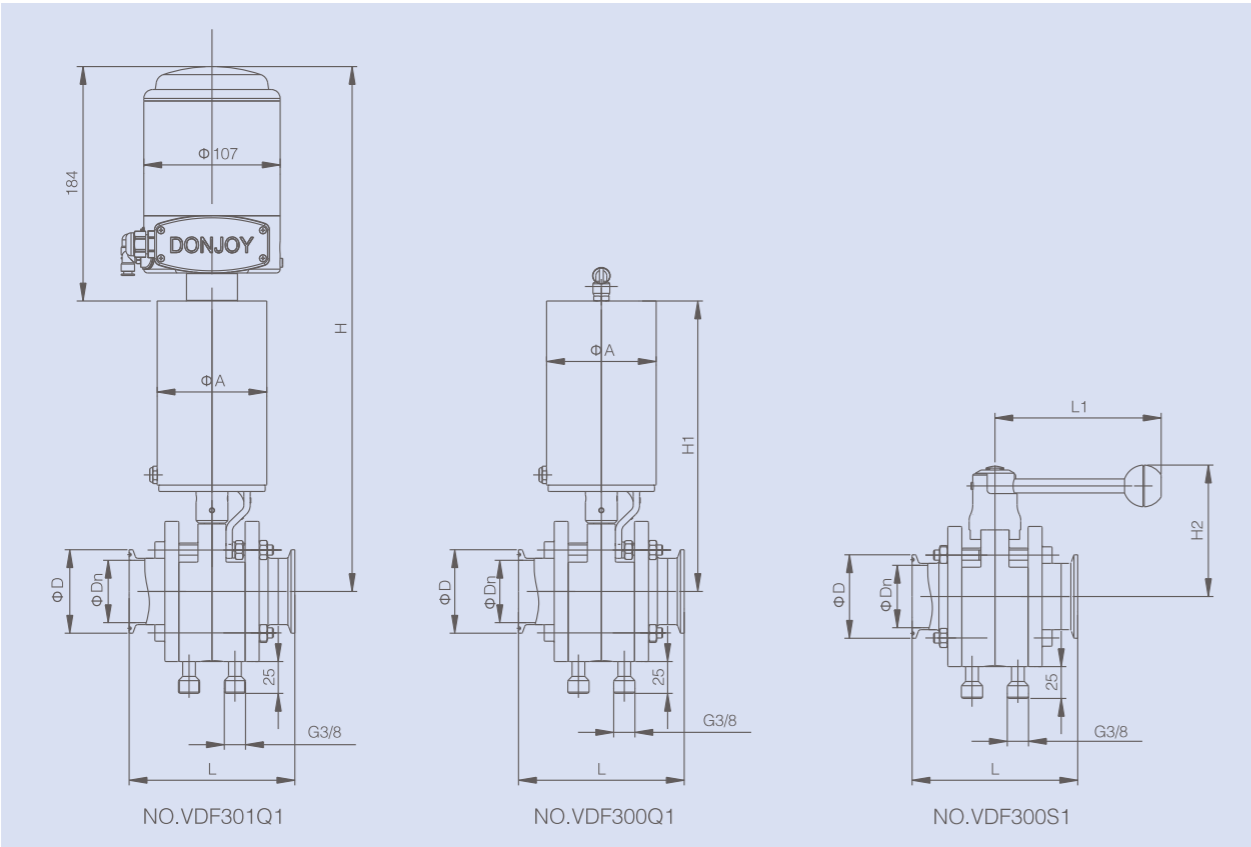
DIN

SIZE	Dn	D	L	L1	H	H1	H2	A
DN50	49	52	104	133	423	239	102	86
DN65	66	70	112	144	494	310	111.5	113
DN80	81	85	120	144	502	318	120.5	113
DN100	100	104	128	144	512	328	131	113

注意：以上数据图相关尺寸不作为实物最终依据，东正保留对于数据更新权限不再另行通知。
Note: The relevant dimensions of the above data diagrams are not regarded as the final basis of the actual object. Dongzheng reserves the right to update the data without further notice.

防混蝶阀 Mixproof butterfly valve

防混蝶阀-A型(卡箍式) Mix-proof butterfly valve-A type (clamp type)



INCH

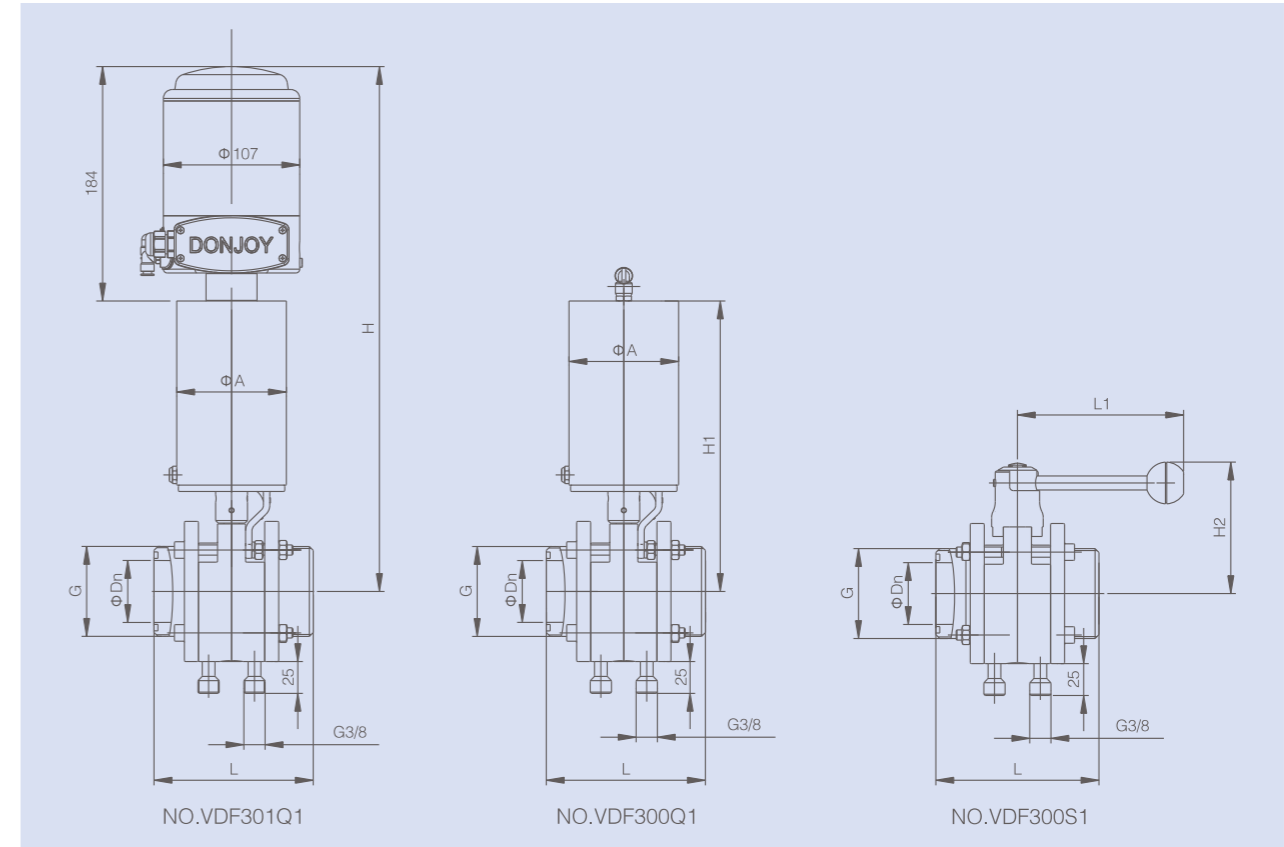
SIZE	Dn	D	L	L1	H	H1	H2	A
2"	47.8	64	128	133	423	239	102	86
2.5"	59.5	77.5	136	144	489	305	106.5	113
3"	72.2	91	140	144	497	313	113	113
4"	97.6	119	168	160	512	328	131	113

DIN

SIZE	Dn	D	L	L1	H	H1	H2	A
DN50	49	64	128	133	423	239	102	86
DN65	66	91	136	144	494	310	111.5	113
DN80	81	106	144	160	502	318	120.5	113
DN100	100	119	168	160	512	328	131	113

注意：以上数据图相关尺寸不作为实物最终依据，东正保留对于数据更新权限不再另行通知。
Note: The relevant dimensions of the above data diagrams are not regarded as the final basis of the actual object. Dongzheng reserves the right to update the data without further notice.

防混蝶阀-A型(螺纹式) Mix-proof butterfly valve-A type (threaded)



INCH

SIZE	Dn	G	L	L1	H	H1	H2	A
2"	47.8	RD69.5 × 1/6	128	133	423	239	102	86
2.5"	59.5	RD84.5 × 1/6	136	144	489	305	106.5	113
3"	72.2	RD97.2 × 1/6	140	144	497	313	113	113
4"	97.6	RD124.2 × 1/4	168	160	512	328	131	113

DIN

SIZE	Dn	G	L	L1	H	H1	H2	A
DN50	49	RD77.5 × 1/6	128	133	423	239	102	86
DN65	66	RD94.5 × 1/6	136	144	494	310	111.5	113
DN80	81	RD109.2 × 1/4	144	160	502	318	120.5	113
DN100	100	RD129.2 × 1/4	168	160	512	328	131	113

注意：以上数据图相关尺寸不作为实物最终依据，东正保留对于数据更新权限不再另行通知。
Note: The relevant dimensions of the above data diagrams are not regarded as the final basis of the actual object. Dongzheng reserves the right to update the data without further notice.

防混蝶阀 Mixproof butterfly valve

DF-FHB type

双座密封保护、内泄露可观察、
阀腔可清洗、零污染风险

Double seat seal protection, Internal leakage can be observed, Valve cavity can be cleaned, Zero pollution risk



产品概述

DF-FHB系列防混双座蝶阀是一款广泛应用于食品、制药、饮料、啤酒、白酒、水处理、化妆品、新能源、日化洗涤等各种行业流体过程应用。该防混蝶阀提供了简易及安全的物料分离方式以便在密封圈损坏的情况下也能防止物料的意外混合。它最常用于隔离那些需要安全分离的物料以及单组CIP清洗(不是阀阵组件), 或者在阀阵组件终端(例如CIP回程)或者CIP溶液输入到罐内(通过清洗球)。

技术特点

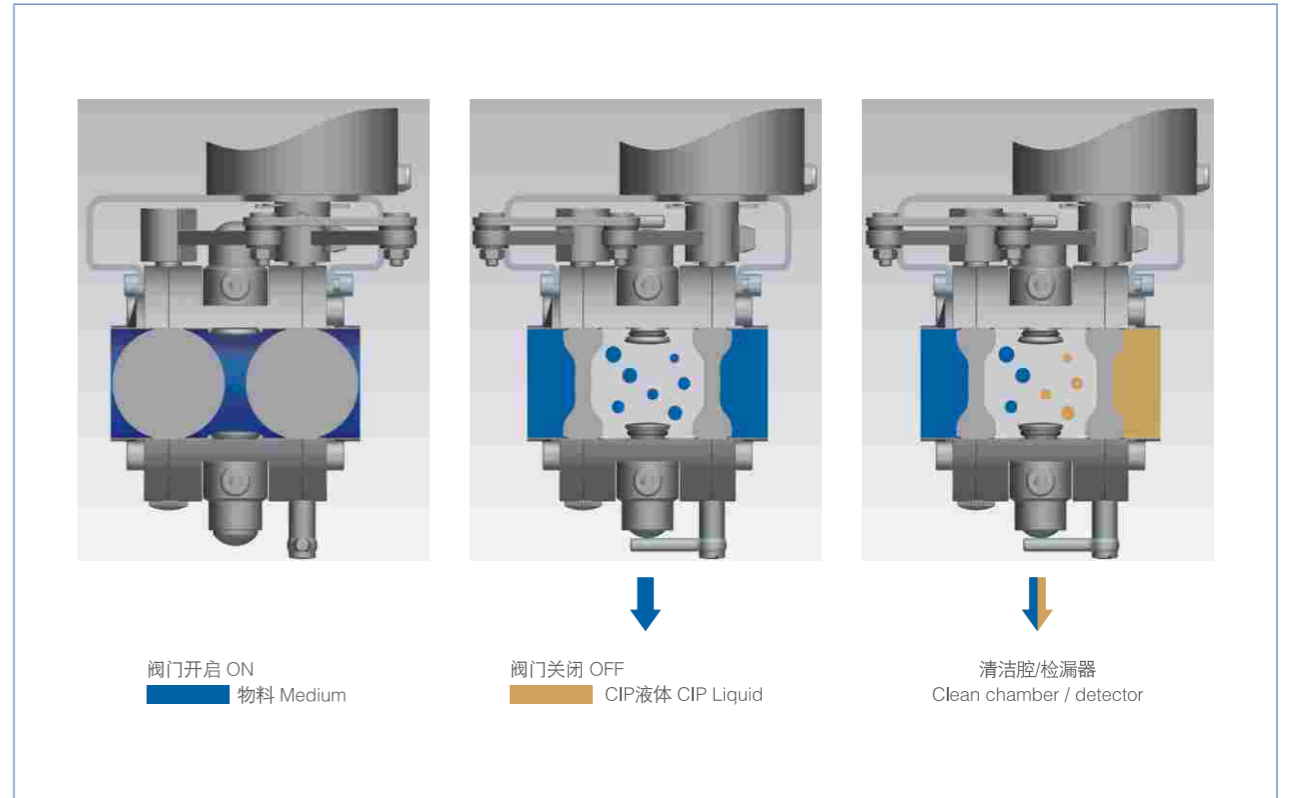
- 规格: 1.5"-4", DN40-DN100
- 材质: 304/1.4301, 316L/1.4404, ASME BPE 316L 1.4435 NB2 Fe≤0.5%
- 压力: 真空 ~10bar(1.0 MPa)
- 温度: EPDM -20°C 到 +130°C, 取决密封于材质
- 密封: EPDM SILICON FKM FFKM HNBR FVMQ NBR
- 连接标准: DIN SMS ISO IDF RJT BS4825 ASME BPE 3A DIN11864 DIN11853
- 连接方式: 螺纹、卡箍、焊接、法兰
- 驱动方式: 手动、气动
- 光洁度: Ra≤0.8 μm; MP=Ra≤0.3 μm; EP=Ra≤0.3 μm
- 认证: FDA 177.2600; 3A-18-03; Glass II USP Glass VI Chapter 88; GB4806.11; EG VO/1935-2004; PED/97/23/EC

Product description

DF-FHB series mixproof double seat butterfly valve is widely used in various industrial fluid process applications such as food, pharmaceutical, beverage, beer, liquor, water treatment, cosmetics, new energy, daily washing and so on. The mixproof butterfly valve provides an easy and safe means of material separation to prevent accidental mixing of materials in the event of damage to the seal. It is most commonly used to isolate materials that require safe separation and a single set of CIP cleaning (not a valve array assembly), or into the tank assembly terminal (eg, CIP return) or CIP solution into the tank (by cleaning the ball).

Technical Features

- Size: 1.5"-4", DN40-DN100
- Material: 304/1.4301, 316L/1.4404, ASME BPE 316L 1.4435 NB2 Fe≤0.5%
- Pressure: vacuum to 10bar (1.0 MPa)
- Temperature: EPDM -20 °C to +130°C, Depending on the seal material
- Seal: EPDM SILICON FKM FFKM HNBR FVMQ NBR
- Connection standard: DIN SMS ISO IDF RJT BS4825 ASME BPE 3A DIN11864 DIN11853
- Connection method: thread clamp, welding, flange
- Drive mode: manual, pneumatic.
- Surface: Ra≤0.8 μm; MP=Ra≤0.3 μm; EP=Ra≤0.3 μm
- Certification: FDA 177.2600; 3A-18-03; Glass II USP Glass VI Chapter 88; GB4806.11; EG VO/1935-2004; PED/97/23/EC



操作扭矩 Operating torque(N.M)

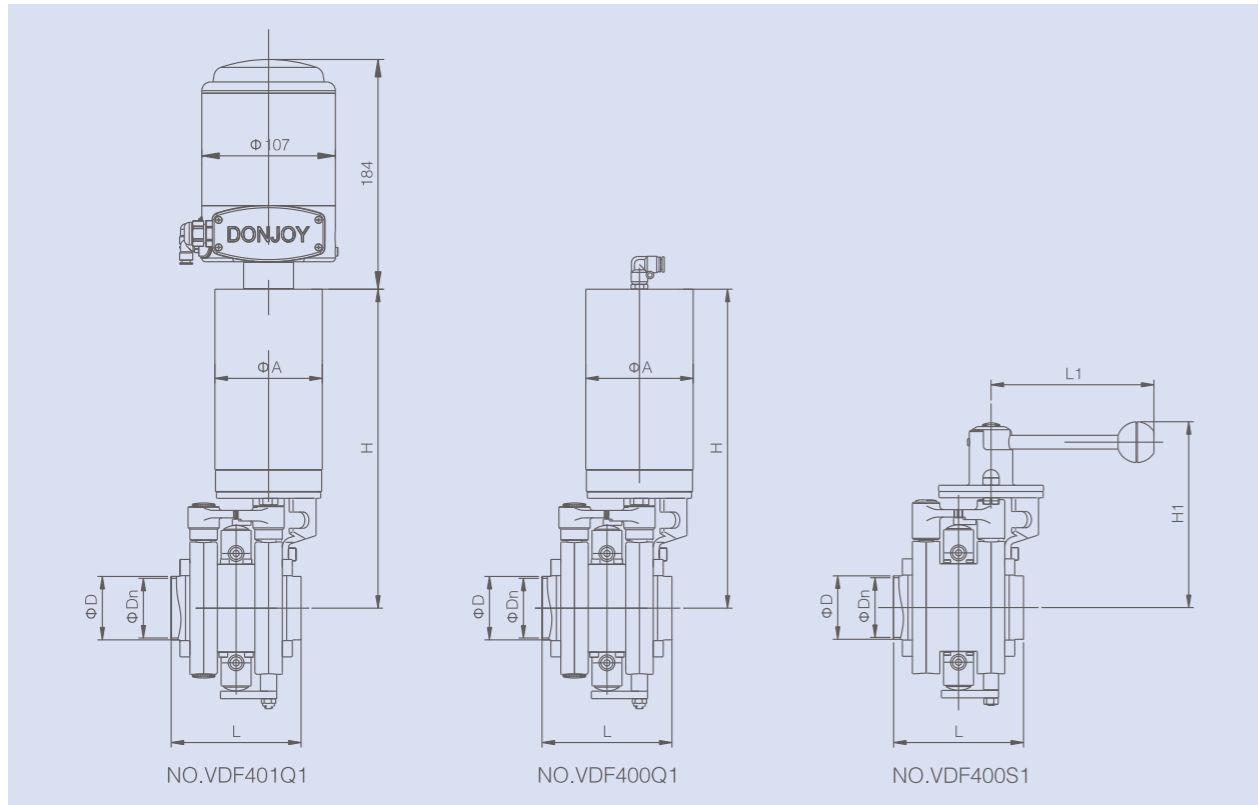
操作扭矩 Operating torque(N.M)	DN40/-1.5"	DN50/-2"	2.5"	DN65	3"	DN80/-3.5"	DN100/-4"
	10	15	20	25	30	40	55

在压力10kg/cm²下检测 Test under pressure of 10kg/cm²



防混蝶阀 Mixproof butterfly valve

防混蝶阀-B型(焊接式) Mix-proof butterfly valve-B type (welded type)



INCH

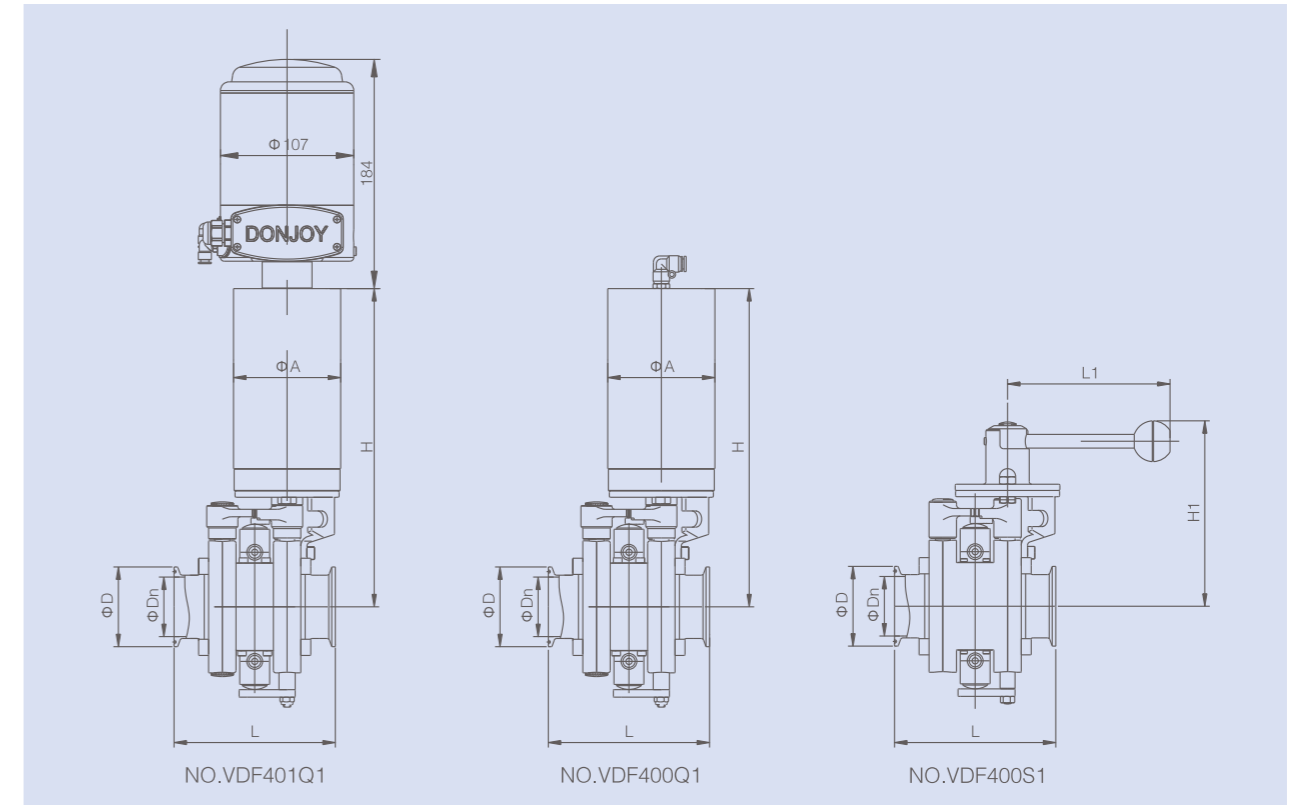
SIZE	Dn	D	L	L1	H	H1	A
1.5"	34.8	38.1	102	133	248	141	86
2"	47.8	50.8	104	133	255.5	150	86
2.5"	59.5	63.5	126	144	326.5	168	113
3"	72.2	76.2	140	144	333.5	174.5	113
3.5"	85	89	144	160	339.5	183	113
4"	97.6	101.6	168	160	349.5	193	113

DIN

SIZE	Dn	D	L	L1	H	H1	A
DN40	37	40	102	133	248	141	86
DN50	49	52	104	133	255.5	150	86
DN65	66	70	126	144	331.5	172.5	113
DN80	81	85	144	160	339.5	183	113
DN100	100	104	168	160	349.5	193	113

注意：以上数据图相关尺寸不作为实物最终依据，东正保留对于数据更新权限不再另行通知。
Note: The relevant dimensions of the above data diagrams are not regarded as the final basis of the actual object. Dongzheng reserves the right to update the data without further notice.

防混蝶阀-B型(卡箍式) Mix-proof butterfly valve-B type (clamp type)



INCH

SIZE	Dn	D	L	L1	H	H1	A
1.5"	34.8	50.5	127.4	133	248	141	86
2"	47.8	64	129.4	133	255.5	150	86
2.5"	59.5	77.5	150	144	326.5	168	113
3"	72.2	91	168	144	333.5	174.5	113
3.5"	85	89	169.4	160	339.5	183	113
4"	97.6	119	211	160	349.5	193	113

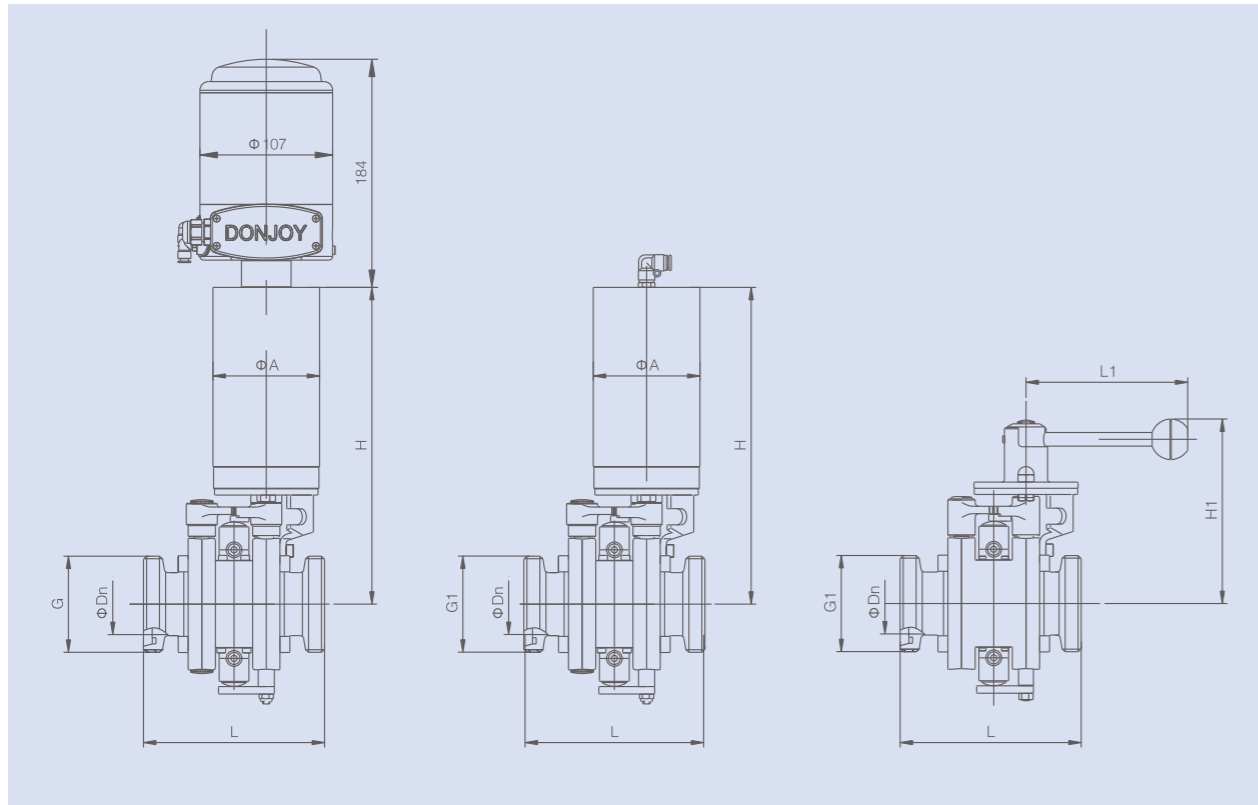
DIN

SIZE	Dn	D	L	L1	H	H1	A
DN40	37	50.5	127.4	133	248	141	86
DN50	49	64	129.4	133	255.5	150	86
DN65	66	91	182	144	331.5	172.5	113
DN80	81	106	169.4	160	339.5	183	113
DN100	100	119	211	160	349.5	193	113

注意：以上数据图相关尺寸不作为实物最终依据，东正保留对于数据更新权限不再另行通知。
Note: The relevant dimensions of the above data diagrams are not regarded as the final basis of the actual object. Dongzheng reserves the right to update the data without further notice.

防混蝶阀 Mixproof butterfly valve

防混蝶阀-B型(螺纹式) Mix-proof butterfly valve-B type (threaded type)

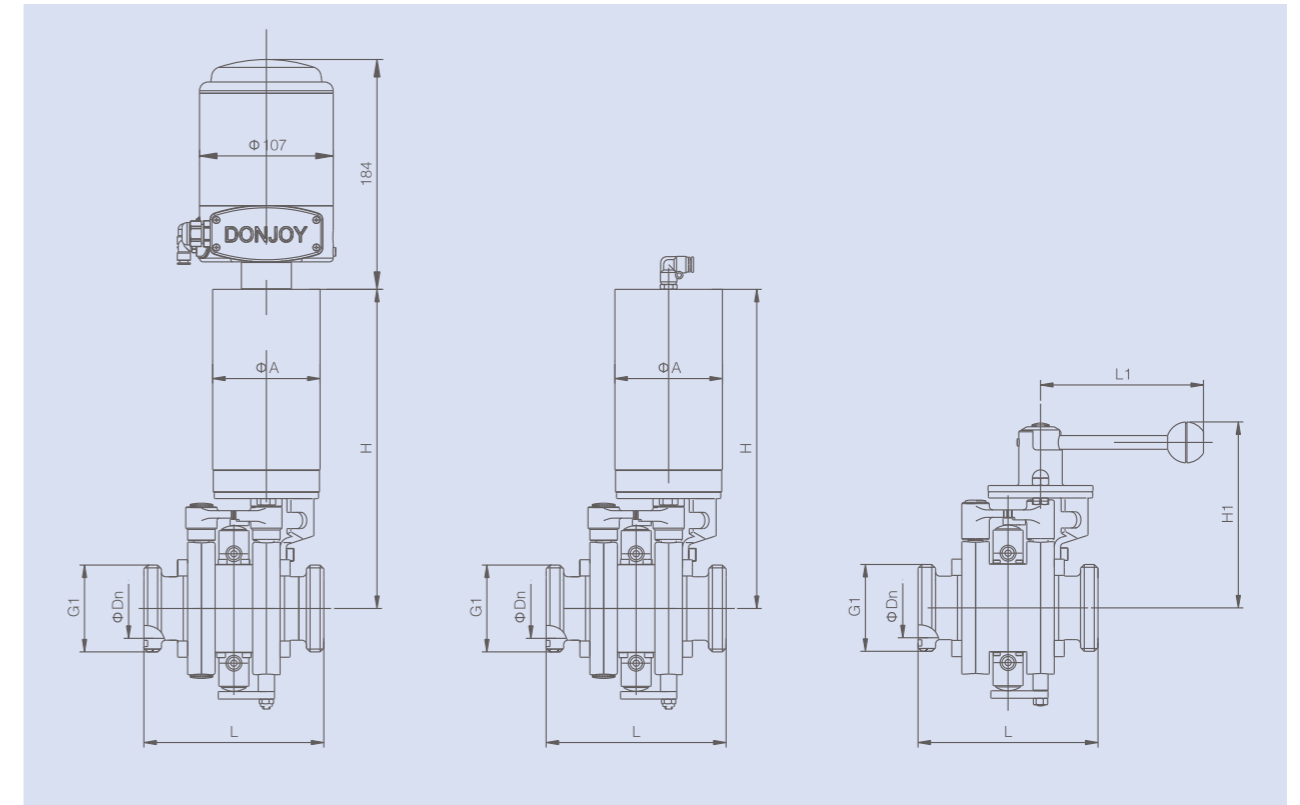


DIN

SIZE	Dn	G	L	L1	H	H1	A
DN40	37	RD64.5 × 1/6	142	133	248	141	86
DN50	49	RD78 × 1/6	146	133	255.5	150	86
DN65	66	RD95 × 1/6	172	144	331.5	172.5	113
DN80	81	RD110 × 1/4	194	160	339.5	183	113
DN100	100	RD130 × 1/4	224	160	349.5	193	113

注意：以上数据图相关尺寸不作为实物最终依据，东正保留对于数据更新权限不再另行通知。
Note: The relevant dimensions of the above data diagrams are not regarded as the final basis of the actual object. Dongzheng reserves the right to update the data without further notice.

防混蝶阀-B型(螺纹式) Mix-proof butterfly valve-B type (thread type)



SMS

SIZE	Dn	G	L	L1	H	H1	A
1.5"	34.8	RD59.5 × 1/6	142	133	248	141	86
2"	47.8	RD69.5 × 1/6	144	133	255.5	150	86
2.5"	59.5	RD84.5 × 1/6	174	144	326.5	168	113
3"	72.2	RD98 × 1/6	190	144	333.5	174.5	113
3.5"	85	RD105 × 1/6	170	160	339.5	183	113
4"	97.6	RD125 × 1/4	222	160	349.5	193	113

注意：以上数据图相关尺寸不作为实物最终依据，东正保留对于数据更新权限不再另行通知。
Note: The relevant dimensions of the above data diagrams are not regarded as the final basis of the actual object. Dongzheng reserves the right to update the data without further notice.