

DONJOY looking forward to your visit! Your telecommunications!



**东正科技有限公司**  
DONJOY TECHNOLOGY CO.,LTD.

地址: 温州空港新区港富路25号  
总机: 0577-86990888  
传真: 0577-86998000

Add: No.25 Gang fu Road, konggang  
new District, Longwan Wenzhou, China  
Tel: +86-577-86990888  
Fax: +86-577-86998000  
E-mail: donjoy@cndonjoy.com

[www.cndonjoy.com](http://www.cndonjoy.com)

法律声明:  
目录样册版权归东正所有, 如有抄袭, 必将追究其法律责任和经济赔偿。  
东正已获得国家版权局书刊号。东正诸多产品技术, 都具有专利保护, 如有抄袭,  
必将追究法律责任和经济赔偿。

Legal statement:  
Copyright of the catalogue belongs to Donjoy. If there is plagiarism,  
it will be investigated for legal responsibility and economic compensation.  
Donjoy has been granted publications number by China's National Copyright.  
Donjoy products and technology with patent protection,  
If there is plagiarism, it will be investigated for legal responsibility  
and economic compensation.

# Ball valve

02 / 球阀 / 智能制造



国家高新技术企业 专精特新企业

# Advantages



30 YEARS

30年的阀门研发与制造  
More than 30 years valve and pump R&d and Manufacturing

23 YEARS

23年的高洁净泵研发与制造  
More than 23 years high purity pump R&d and Manufacturing

18 YEARS

18年的阀门控制器研发与制造  
More than 18 years valve controller R&d and Manufacturing

15 YEARS

15年的清洗技术研发与制造  
More than 15 years Cleaning technology R&d and Manufacturing

300

300多人的专业团队  
A profession team of over 300 people

200

200多项知识产权  
More than 200 intellectual property rights

30

30多项国际权威认证  
More than 30 international authoritative certifications

20

20多项国家与省级荣誉  
More than 20 national and provincial honors certificates

超过10年研发经验  
工程师队伍  
We have more than 10 years experienced engineer team in R & D.

日本Mazak  
CNC复合型加工中心  
CNC切削中心  
CNC车床  
Japan Mazak  
CNC compound machining center  
CNC cutting center  
CNC lathe

发那科《Fanuc》  
全自动机器人生产线  
《Fanuc》 Automatic robot  
production line

高新技术企业、  
省著名商标、  
主任质量奖、4项发明、  
200余项专利  
New high-tech enterprise.  
Provincial famous trademark.  
Director's Quality Award.4 inventions  
More than 200 patents

欧盟CE  
美国3-A, FDA  
中国特种制造许可证 TS  
防爆认证ATEX CNEX  
European Union CE certificate  
USA 3-A, FDA  
China Special Manufacturing  
License TS  
ATEX CNEX

我们能为你提供  
定制化技术服务和制造,  
OEM ODM  
We can provide  
you OEM & ODM service

领先的检测手段,  
30多台专业检测设备和  
50多种检测方法, 确保  
每个产品性能和精度  
Advanced detection method.  
More than 30 pcs professional  
testing equipment. More than  
50 inspection ways, insure product  
performance and accuracy

30 YEARS

30年洁净领域的专注  
30 years of focus in the field of cleanliness

30 YEARS

30年工程应用经验与市场考验  
30 years of engineering application experience and market test

三十而立正蕴含着新的力量，  
未来我们将一如既往的致力于技术革新！  
We Donjoy have established for 30 years, still full of  
new energy, in the future we will stick to concentrate on  
technology innovation

# Introduction

东正创立于1993年，占地面积29000m<sup>2</sup>，注册资本1.0558亿元，员工300余人，技术团队30余人，200余项知识产权，国际权威认证30余项，国家与省级荣誉证书20余项，且拥有国际领先的加工技术和制造设备，如Mazak CNC四轴、五轴加工中心、复合型切削中心、FANUC机器人生产线以及各种国际领先的检测设备。

东正制造的产品远销全球并获得国内外用户高度好评，我们产品和技术涵盖高洁净泵、阀门控制技术、PID自控阀门、高洁净阀门、容器管道安全控制技术、容器清洗技术、容器管道照明技术、过滤技术以及高洁净管道和配件等。广泛应用于生物制药、食品饮料、酿酒、精细化工、日化洗涤、纺织印染、电池和新能源等工业领域。

Donjoy is founded in 1993, covers an area of 29,000 square meters, registered capital of 105.58 million yuan, we have more than 300 employees, we have more than 30 persons technical team, we have more than 200 intellectual property rights, we have more than 30 authoritative international certification, we have more than 20 national and provincial certifications, and has an international leader of first processing technology and manufacturing equipment, such as Mazak CNC four axis, five axis machining center, compound cutting center, FANUC robot production line and various international collar first detection equipment, etc.

The products manufactured by Donjoy are sold all over the world and are highly praised by domestic and overseas Products and technology cover high purity pump, valve control technology, PID automatic control valve, high purity valve, container pipeline safety control technology, container cleaning technology, container pipe road lighting technology, filtration technology and high purity pipes and accessories. Widely used in the biopharmaceuticals, food and beverage, wine, fine chemicals, daily chemical washing, textile printing and dyeing, battery and new energy and other industrial fields.

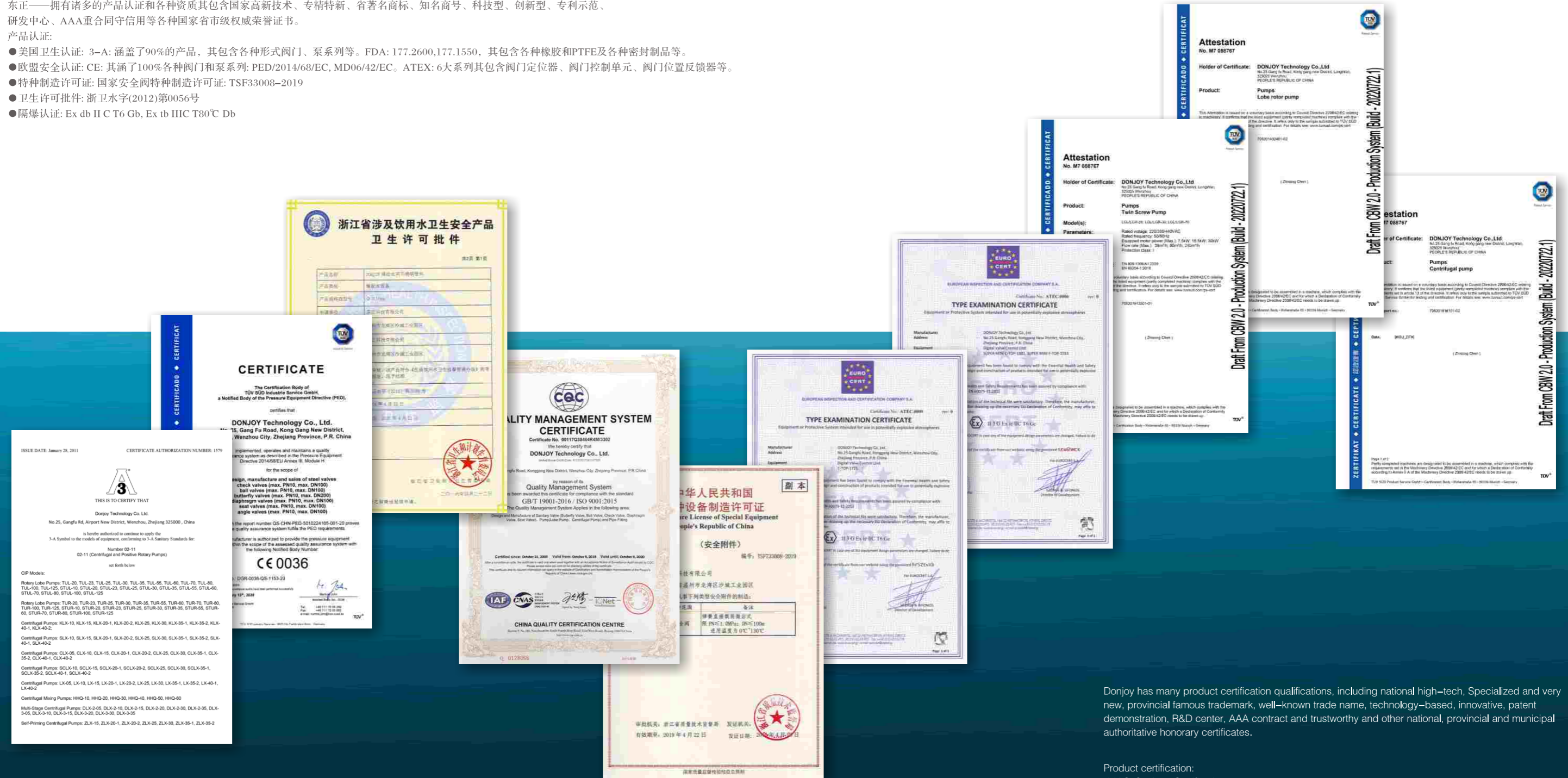


# Certification

东正——拥有诸多的产品认证和各种资质其包含国家高新技术、专精特新、省著名商标、知名商号、科技型、创新型、专利示范、研发中心、AAA重合同守信用等各种国家省市级权威荣誉证书。

产品认证:

- 美国卫生认证: 3-A: 涵盖了90%的产品, 其包含各种形式阀门、泵系列等。FDA: 177.2600,177.1550, 其包含各种橡胶和PTFE及各种密封制品等。
- 欧盟安全认证: CE: 其涵盖了100%各种阀门和泵系列: PED/2014/68/EC, MD06/42/EC。ATEX: 6大系列其包含阀门定位器、阀门控制单元、阀门位置反馈器等。
- 特种制造许可证: 国家安全阀特种制造许可证: TSF33008-2019
- 卫生许可批件: 浙卫水字(2012)第0056号
- 防爆认证: Ex db IIC T6 Gb, Ex tb IIIC T80°C Db



Donjoy has many product certification qualifications, including national high-tech, Specialized and very new, provincial famous trademark, well-known trade name, technology-based, innovative, patent demonstration, R&D center, AAA contract and trustworthy and other national, provincial and municipal authoritative honorary certificates.

- Product certification:
- U.S. Sanitary Certification  
3-A: Covers 90% of products, including all kinds of valves, pump, etc.  
FDA: 177.2600, 177.1550, containing various rubber, PTFE and other sealing products.
  - EU safety certification  
CE: covers all kinds of valves and pumps: PED/2014/68/EC, MD06/42/EC.  
ATEX: 6 major series, including valve positioner, valve control unit, valve position feedback device, etc.
  - Special manufacturing license: National safety valve special manufacturing license: TSF33008-2019
  - Sanitation license approval document: Zhewei Shuizi (2012) No. 0056
  - Flameproof certification: Ex db IIC T6 Gb, Ex tb IIIC T80°C Db

# 蝶式球阀

## Butterfly-type ball valve

小扭矩，使用寿命长、全脱脂、密封弹性补偿、体积小、内部有滞留、外观有死角、非常灵活功能组合、无需专业工具即可维护、经济、简单、可靠。

Small torque, long service life, full degreasing, sealing elastic compensation, small size, internal retention, dead spots in appearance, very flexible function combination, maintenance without professional tools, economical, simple and reliable.



### 操作原理

- 无需维护
- 比其他的阀门更小更轻
- 操纵扭矩小
- 可排泄
- 垫圈根据FDA 177.2600
- 不管流体是何流向，手柄可以安装在侧边的阀体上。
- 不管是何种连接方式，阀体都可进行更换，而不会改变阀门的总长度。

### 材质

- 物料接触部位: AISI304/316L
- 垫圈: EPDM(标准)
- 球座: PTFE
- 内表面Ra0.8μm
- 内表面: CNC车床加工

### 材质

- 连接: 螺纹、卡箍、焊接、DIN、SMS、IDF、RJT、FIL
- 垫圈: NBR、VITON(FPM)、SILICON FDA 177.2600
- 位置传感器手柄, 多定位手柄, 拉杆手柄
- 铝制气动执行、不锈钢气动、电动执行器
- 智能控制器(C-TOP): AS-I 总线连接、电子连接

### Operating principles

- Free maintenance
- Portable and compact
- Small torque moment
- Drainable
- Gasket complies with FDA 177.2600
- Handle can be installed on the side of the valve body, no matter of the flow direction.
- Valve body can be replaced in any connections. And the length will not change.

### Materials

- Part contacted with media: AISI304/316L
- Gasket: EPDM(Standard)
- Seal: PTFE
- Inner side polish: Ra0.8μm
- Out side polish: CNC lathe machining

### Materials

- Connection ends: thread, clamp, weld, DIN, SMS, IDF, RJT, FIL
- Gasket: NBR, VITON(FPM), Silicone FDA 177.2600
- Manual: Multi-position handle, Pulling Stainless steel handle
- Pneumatic: Aluminum electric actuator
- Stainless steel electric/pneumatic actuator
- Intelligent C TOP controls: AS-I connection, Electronic connection

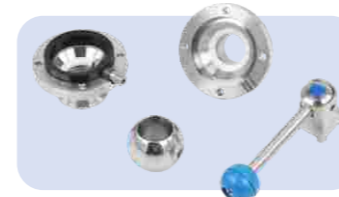
## QF-DX Series

### 蝶式球阀

#### Butterfly type ball valve

小扭矩，使用寿命长、全脱脂、密封弹性补偿、体积小、内部有滞留、外观有死角、非常灵活功能组合、无需专业工具即可维护、经济、简单、可靠。

Small torque, long service life, full degreasing, sealing elastic compensation, small size, internal retention, dead spots in appearance, very flexible function combination, maintenance without professional tools, economical, simple and reliable.



Size: 1"-4", DN25-DN100



蝶式球阀与标准球阀相比较具有更小体积、更少滞留、可配置CIP/SIP清洗和杀菌接口。

Compared to standard ball valves, butterfly type ball valves offer smaller volume, less retention, and can be configured with CIP/SIP cleaning and sterilization interfaces.

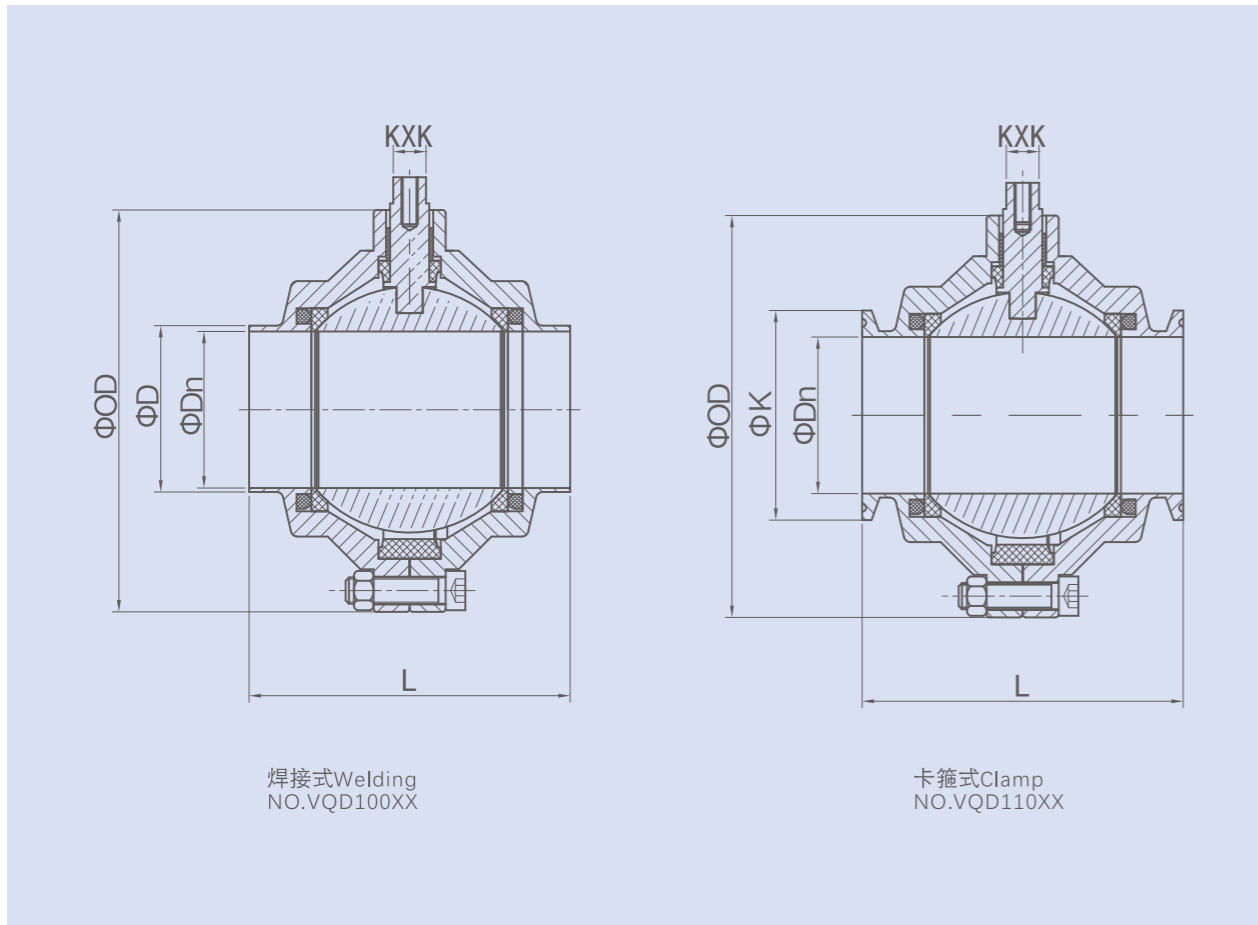


蝶式球阀可适配于卧式、立式、电动等各种执行器。也可适配各种控制器，如控制单元、定位器、反馈器等。Butterfly ball valve can be adapted to various actuators such as horizontal, vertical and electric. It can also be adapted to various controllers, such as control units, positioners, feedback, etc.



# 蝶式球阀 Butterfly-type ball valve

蝶式球阀外形尺寸图

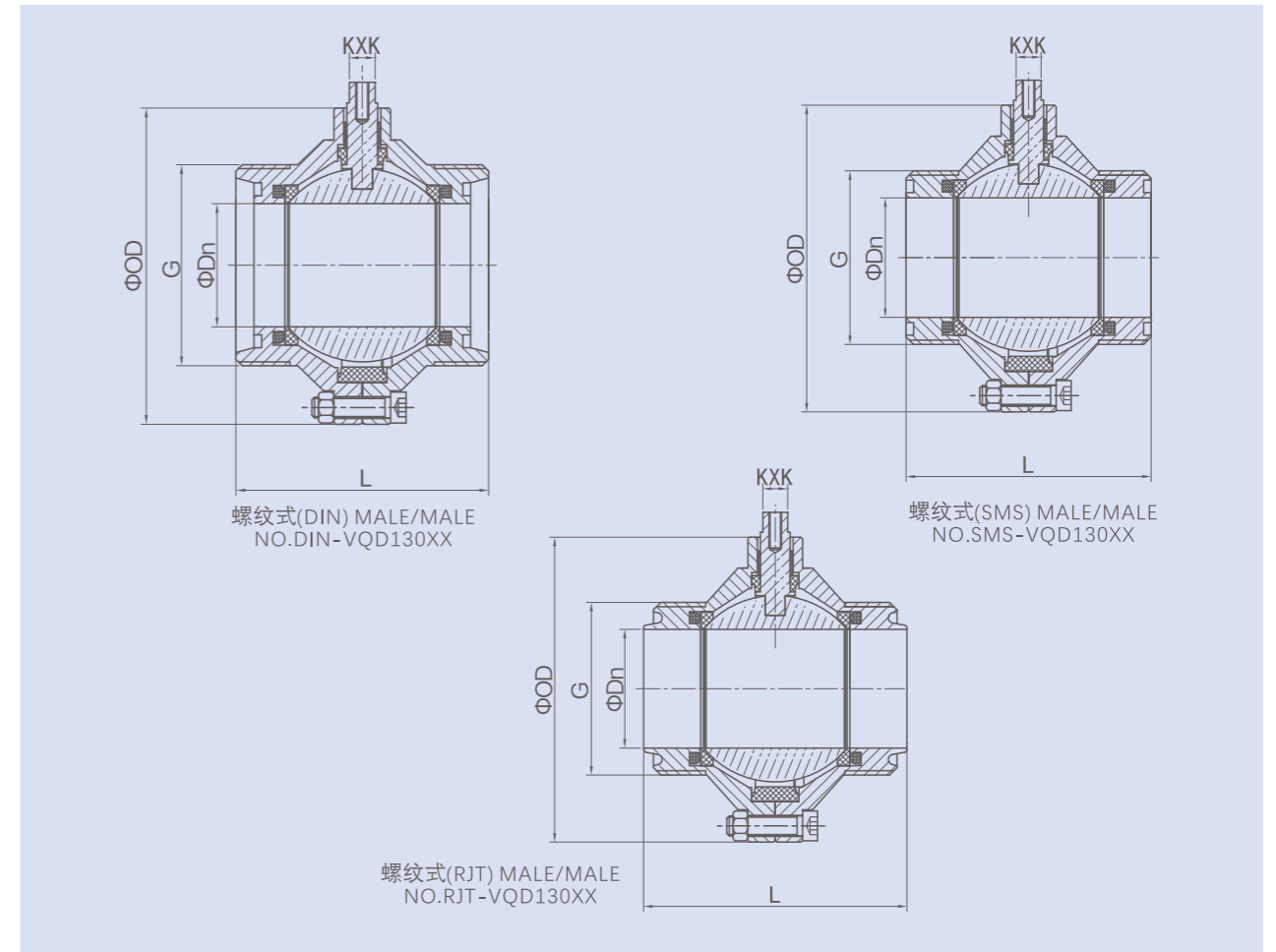


## DIN

SIZE	D	Dn	L	OD	KxK	卡箍式	螺纹式
						K	G(RD)
DN10	13	9.7	72	78	8X8	34	Rd28X1/8
DN15	19	16	72	78	8X8	34	Rd34X1/8
DN20	22	19	72	78	8X8	34	Rd44X1/6
DN25	28	25	72	86	8X8	50.5	Rd52X1/6
DN32	34	31	83	90	8X8	50.5	Rd58X1/6
DN40	40	37	87.4	106	10X10	50.5	Rd65X1/6
DN50	52	49	101	124	10X10	64	Rd78X1/6
DN65	70	66	125	154	11X11	91	Rd95X1/6
DN80	85	81	145	180	11X11	106	Rd110X1/4
DN100	104	100	185	209	14X14	119	Rd130X1/4

注意：以上数据图相关尺寸不作为实物最终依据，东正保留对于数据更新权限不再另行通知。  
Note: The relevant dimensions of the above data diagrams are not regarded as the final basis of the actual object. Dongzheng reserves the right to update the data without further notice.

蝶式球阀外形尺寸图



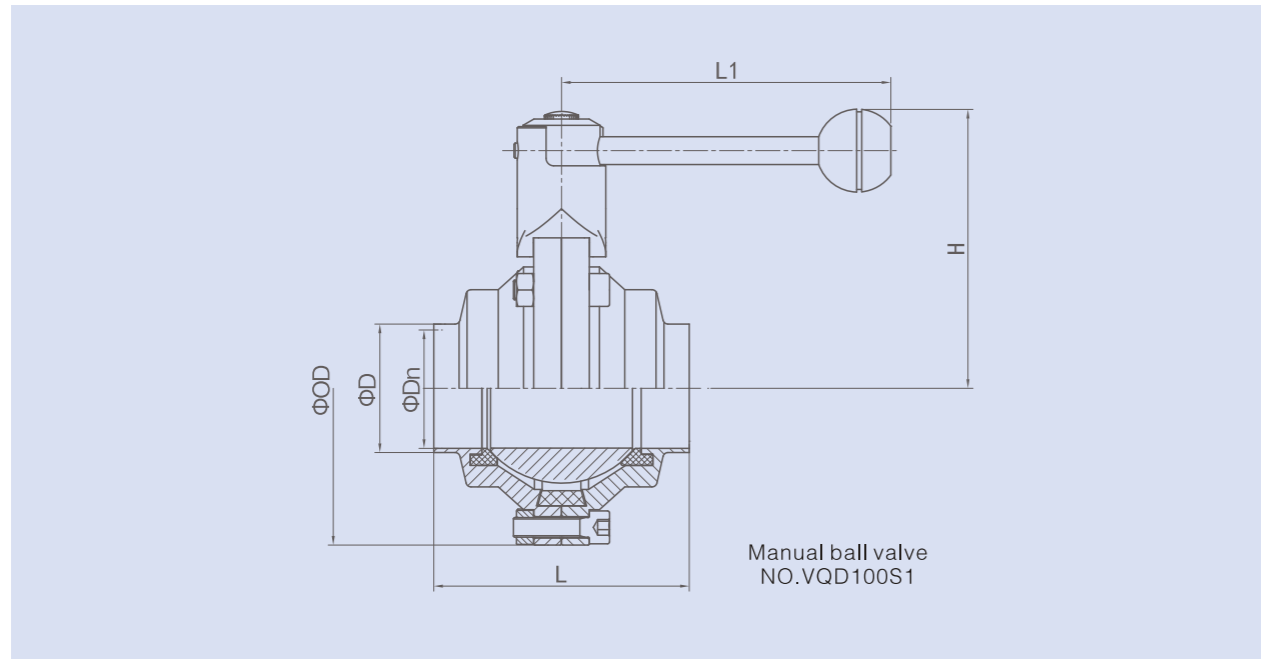
## Inch

SIZE	D	Dn	L	OD	KxK	K	SMS螺纹式		RJT螺纹式	
							G(Rd)	L	G(Whit)	L
0.5"	12.7	9.7	72	78	8X8	25	/	/	/	/
0.75"	19.1	15.8	72	78	8X8	25	Rd36X1/8	72	/	/
1"	25.4	22.1	72	86	8X8	50.5	Rd40X1/6	72	45.7X8 Whit	72
1.25"	31.8	28.5	83	90	8X8	50.5	Rd48X1/6	83	/	/
1.5"	38.1	34.8	87.4	106	10X10	50.5	Rd60X1/6	87.4	58.4X8 Whit	87.4
2"	50.8	47.5	101	124	10X10	64	Rd70X1/6	101	72.7X6 Whit	101
2.5"	63.5	60.2	121	148	11X11	77.5	Rd85X1/6	121	85.4X6 Whit	121
3"	76.2	72.9	135	168	11X11	91	Rd98X1/6	135	98.1X6 Whit	132
4"	101.6	97.4	185	208	14X14	119	Rd125X1/4	185	123.5X6 Whit	194.5

注意：以上数据图相关尺寸不作为实物最终依据，东正保留对于数据更新权限不再另行通知。  
Note: The relevant dimensions of the above data diagrams are not regarded as the final basis of the actual object. Dongzheng reserves the right to update the data without further notice.

# 蝶式球阀 Butterfly-type ball valve

手动蝶式球阀外形尺寸图



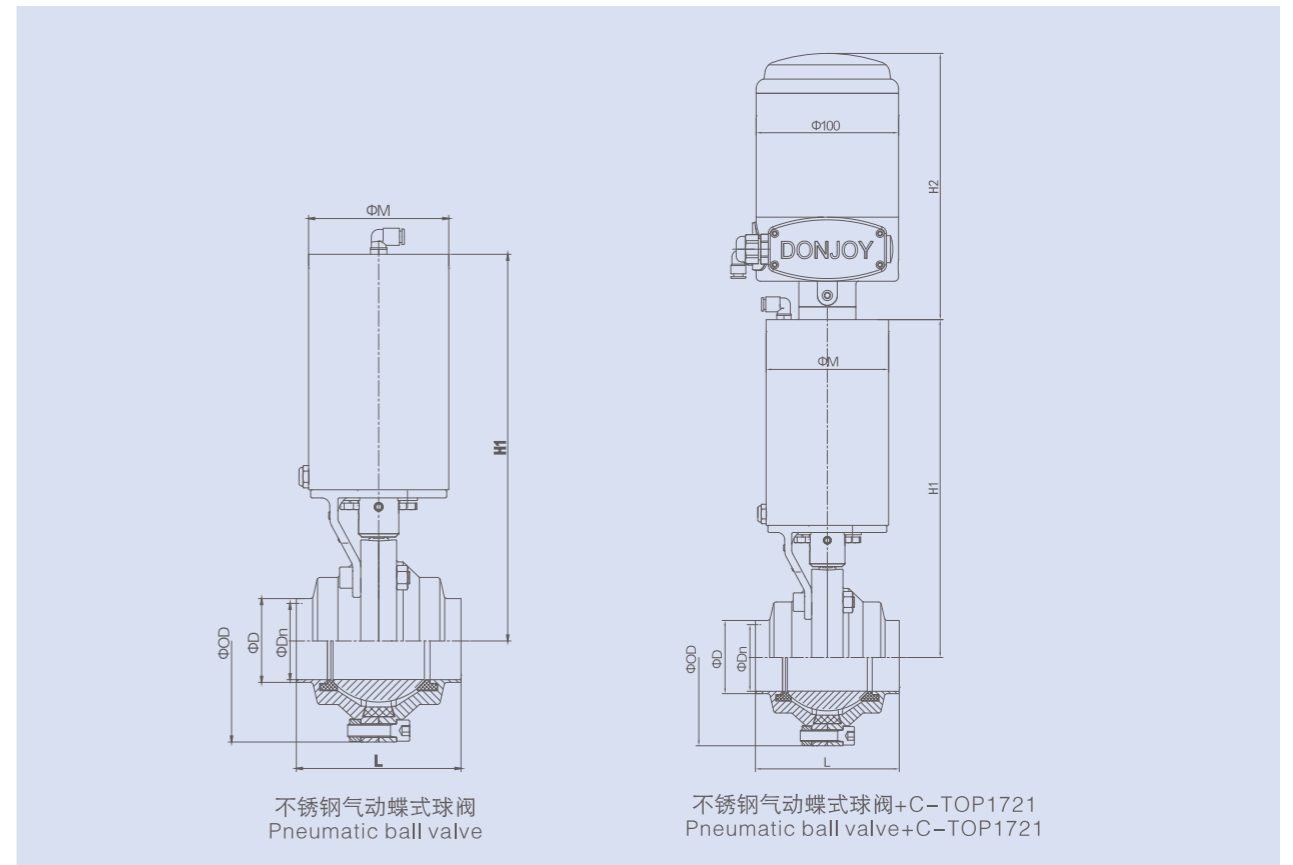
DIN

SIZE	D	Dn	L	OD	KxK	K
DN10	13	9.7	72	78	84	122.2
DN15	19	16	72	78	84	122.2
DN20	22	19	72	78	84	122.2
DN25	28	25	72	86	88	122.2
DN32	34	31	83	90	90	122.2
DN40	40	37	87.4	106	102	130.4
DN50	52	49	101	124	109.5	130.4
DN65	70	66	125	154	129	160.2
DN80	85	81	145	180	142.2	160.2
DN100	104	100	185	209	158.5	218.5

Inch

SIZE	D	Dn	L	OD	H	L1
0.5"	12.7	9.7	72	78	84	122.2
0.75"	19.1	15.8	72	78	84	122.2
1"	25.4	22.1	72	86	88	122.2
1.25"	31.8	28.5	83	90	88	122.2
1.5"	38.1	34.8	87.4	106	102	130.4
2"	50.8	47.5	101	124	110.5	130.4
2.5"	63.5	60.2	121	148	125.7	160.2
3"	76.2	72.9	135	168	135.7	160.2
4"	101.6	97.4	185	208	158.5	218.5

不锈钢气动蝶式球阀外形尺寸图



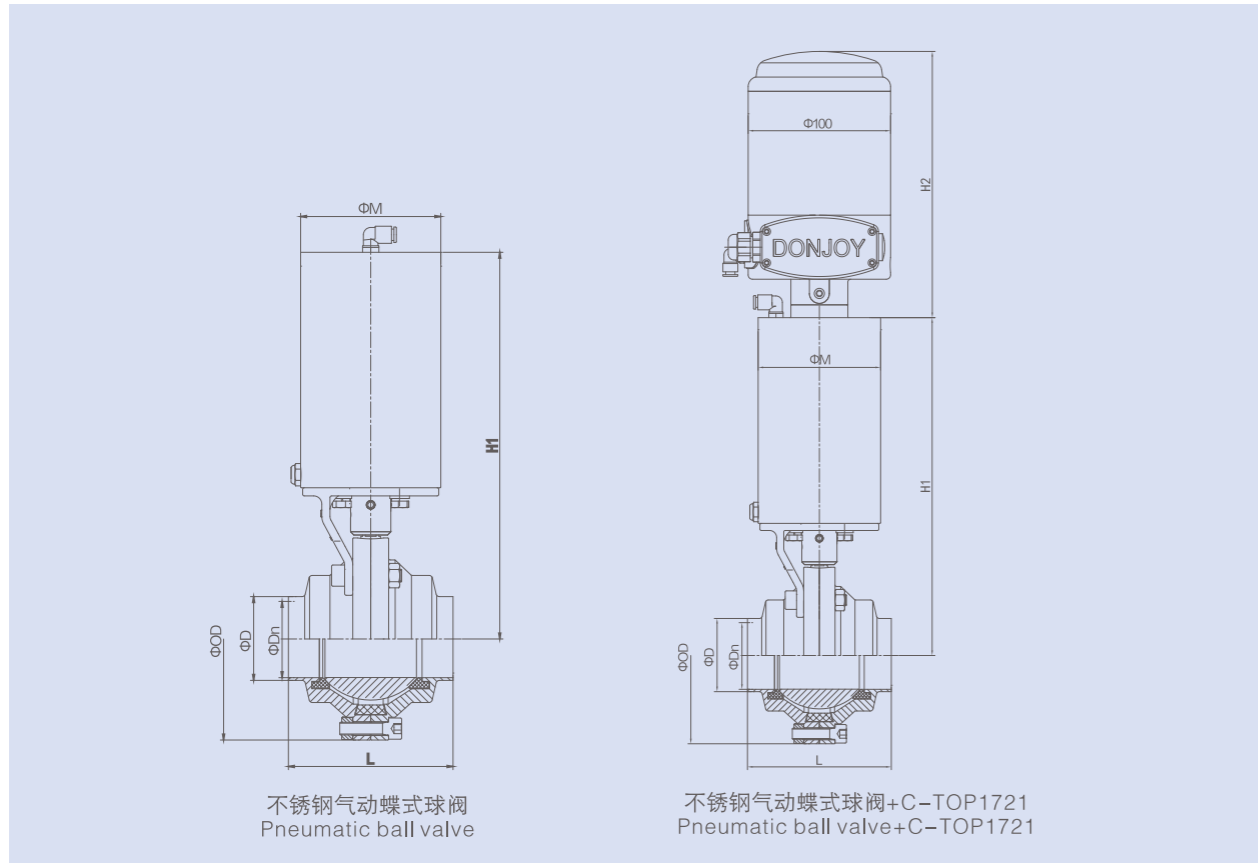
Inch

SIZE	D	Dn	L	OD	M	H1	H2	备注
0.5"	12.7	9.7	72	78	70	191.5	191	配70执行器
0.75"	19.1	15.8	72	78	70	191.5	191	
1"	25.4	22.1	72	86	70	195.5	191	
0.5"	12.7	9.7	72	78	86	214	191	配85执行器
0.75"	19.1	15.8	72	78	86	214	191	
1"	25.4	22.1	72	86	86	218	191	
1.25"	31.8	28.5	83	90	86	221	195	
1.5"	38.1	34.8	87.4	106	86	228	195	
2"	50.8	47.5	101	124	86	235	195	
2.5"	63.5	60.2	121	148	113	326	193	
3"	76.2	72.9	135	168	133	373.5	193	
4"	101.6	97.4	185	208	166	414.5	193	

注意：以上数据图相关尺寸不作为实物最终依据，东正保留对于数据更新权限不再另行通知。  
Note: The relevant dimensions of the above data diagrams are not regarded as the final basis of the actual object. Dongzheng reserves the right to update the data without further notice.

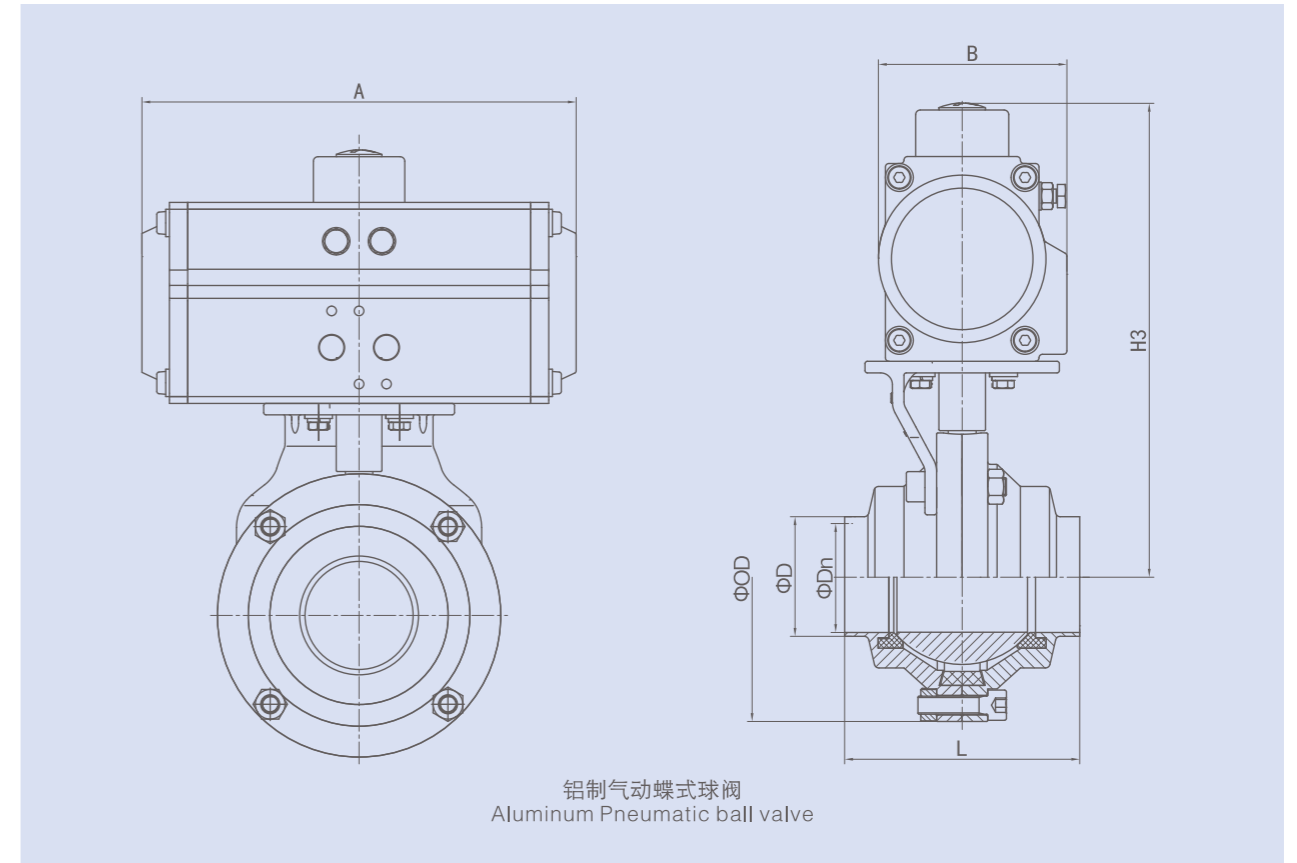
# 蝶式球阀 Butterfly-type ball valve

不锈钢气动蝶式球阀外形尺寸图



DIN								
SIZE	D	Dn	L	OD	M	H1	H2	备注
Dn10	13	9.7	72	78	70	191	191	配70执行器
DN15	19	16	72	78	70	191.5	191	
DN20	22	19	72	78	70	193	191	
Dn25	28	25	72	86	70	196.5	191	配85执行器
DN10	13	9.7	72	78	86	213.5	191	
DN15	19	16	72	78	86	214	191	
DN20	22	19	72	78	86	215.5	191	
DN25	28	25	72	86	86	219	191	
DN32	34	31	83	90	86	221.5	195	
DN40	40	37	87.4	106	86	228	195	
DN50	52	49	101	124	86	234	195	
DN65	70	66	125	154	113	329.5	193	
DN80	85	81	145	180	133	380	193	
DN100	104	100	185	209	166	414.5	193	

铝制气动蝶式球阀外形尺寸图



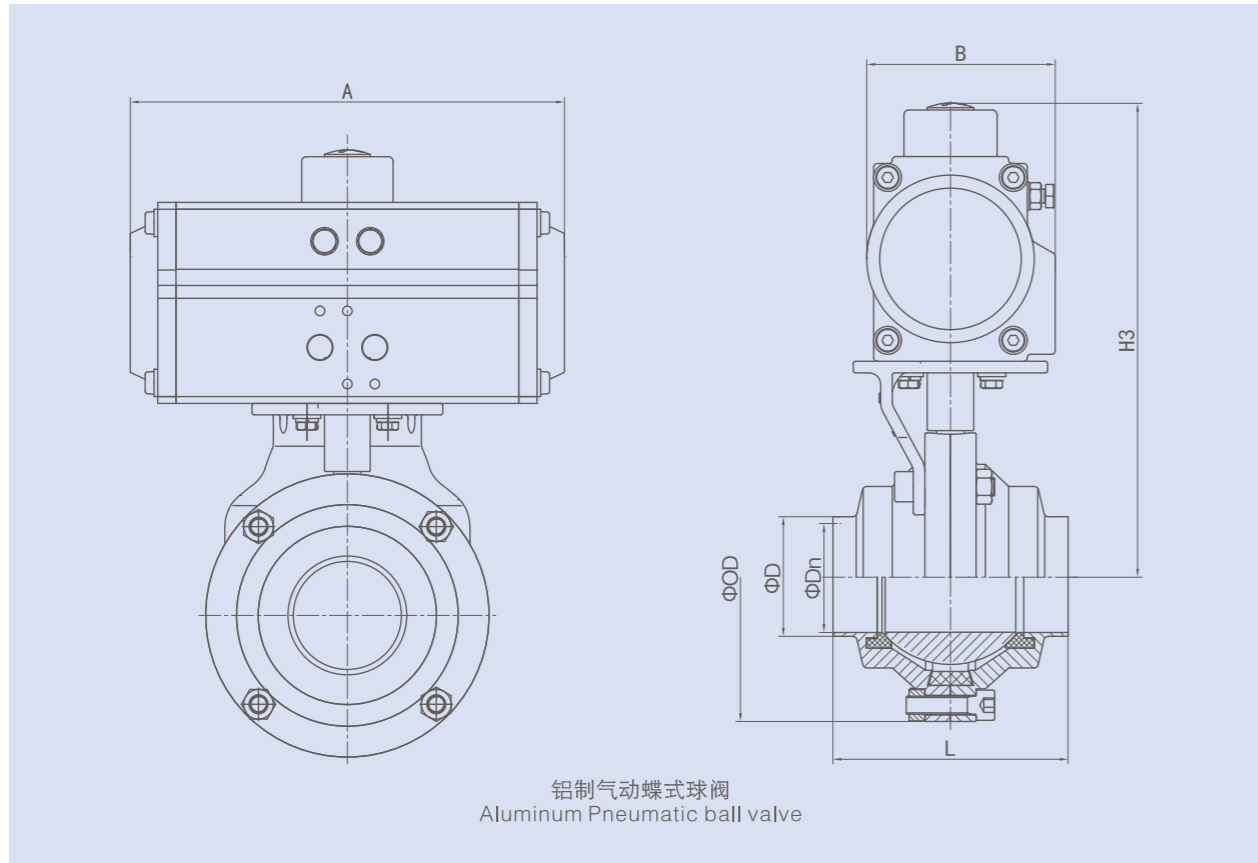
Inch系列										
SIZE	D	Dn	L	OD	单作用卧式气缸			双作用卧式气缸		
					H3	A	B	H3	A	B
0.5"	12.7	9.7	72	78	162.5	154	77	162.5	154	77
0.75"	19.1	15.8	72	78	162.5	154	77	162.5	154	77
1"	25.4	22.1	72	86	167.5	154	77	167.5	154	77
1.25"	31.8	28.5	83	90	184	173	91	169.9	154	77
1.5"	38.1	34.8	87.4	106	202.9	190	102	241.3	154	77
2"	50.8	47.5	101	124	212.8	190	102	282.8	173	91
2.5"	63.5	60.2	121	148	256.4	208	111	334.4	190	102
3"	76.2	72.9	135	168	302.3	282	134	351.3	208	111
4"	101.6	97.4	185	208	345.4	312	155	429.4	254	121

注意：以上数据图相关尺寸不作为实物最终依据，东正保留对于数据更新权限不再另行通知。  
Note: The relevant dimensions of the above data diagrams are not regarded as the final basis of the actual object. Dongzheng reserves the right to update the data without further notice.



# 蝶式球阀 Butterfly-type ball valve

铝制气动蝶式球阀外形尺寸图

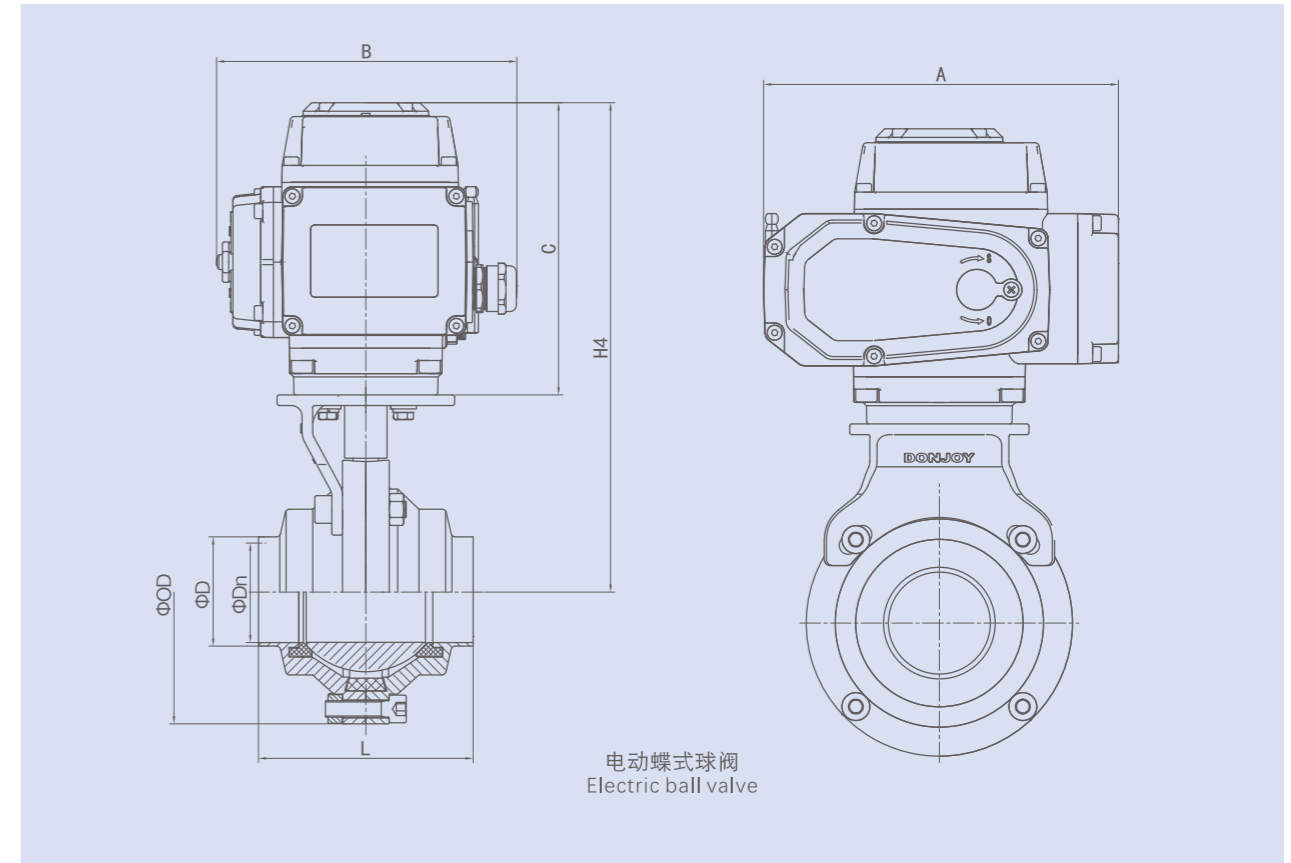


Inch系列

SIZE	D	Dn	L	OD	单作用卧式气缸			双作用卧式气缸		
					H3	A	B	H3	A	B
Dn10	13	9.7	72	78	162.5	154	77	162.5	154	77
DN15	19	16	72	78	162.5	154	77	162.5	154	77
DN20	22	19	72	78	162.5	154	77	162.5	154	77
DN25	28	25	72	86	167.5	154	77	167.5	154	77
DN32	34	31	83	90	184	173	91	169.9	154	77
DN40	40	37	87.4	106	202.9	190	102	241.3	154	77
DN50	52	49	101	124	212.8	190	102	282.8	173	91
DN65	70	66	125	154	282.6	254	121	344.6	208	111
DN80	85	81	145	180	308.5	282	134	403.5	254	121
DN100	104	100	185	209	345.4	312	155	429.4	254	121

注意：以上数据图相关尺寸不作为实物最终依据，东正保留对于数据更新权限不再另行通知。  
Note: The relevant dimensions of the above data diagrams are not regarded as the final basis of the actual object. Dongzheng reserves the right to update the data without further notice.

电动蝶式球阀外形尺寸图



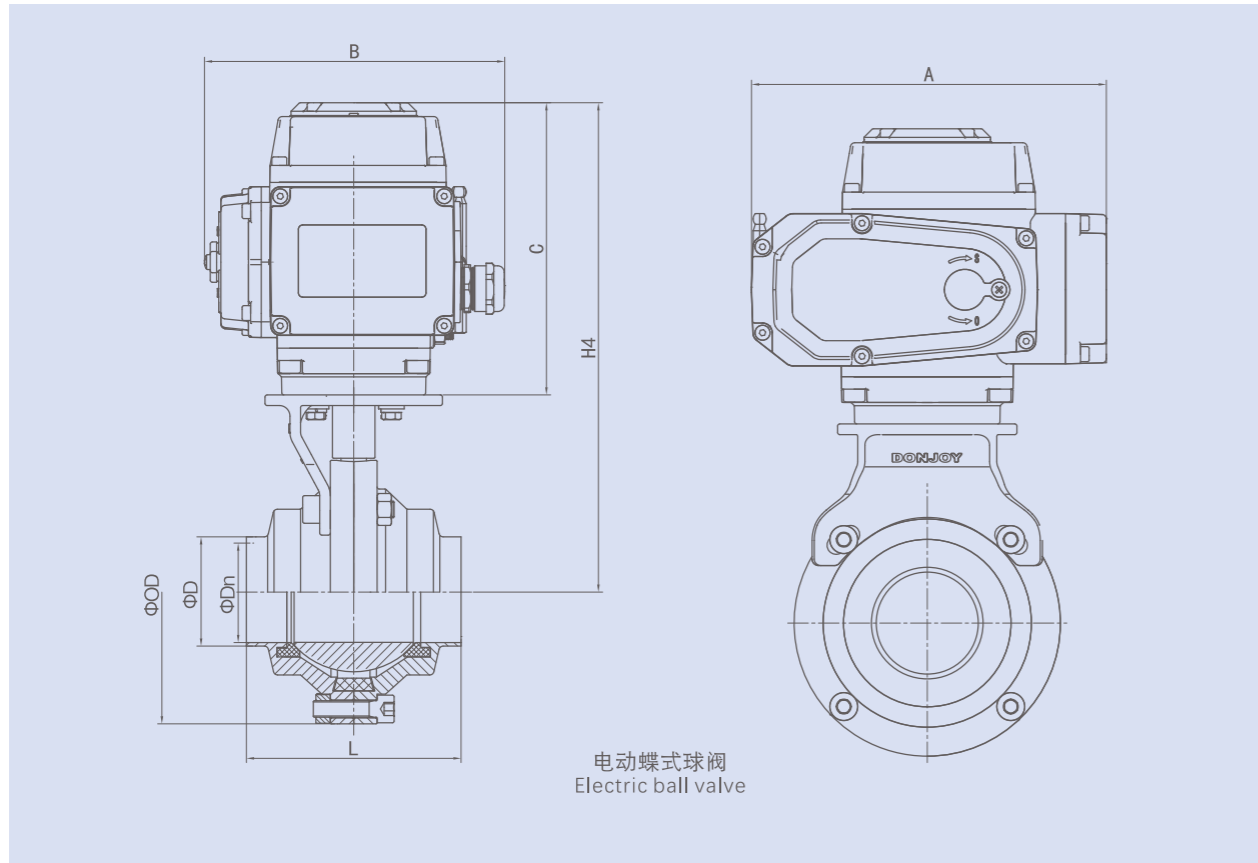
Inch

SIZE	D	Dn	L	OD	H4	A	B	C
0.5"	12.7	9.7	72	78	206	165	140.5	137.5
0.75"	19.1	15.8	72	78	206	165	140.5	137.5
1"	25.4	22.1	72	86	211	165	140.5	137.5
1.25"	31.8	28.5	83	90	213.4	165	140.5	137.5
1.5"	38.1	34.8	87.4	106	220.4	165	140.5	137.5
2"	50.8	47.5	101	124	230.3	165	140.5	137.5
2.5"	63.5	60.2	121	148	265.4	165	140.5	137.5
3"	76.2	72.9	135	168	306.8	211.5	154	168.5
4"	101.6	97.4	185	208	362.4	259	186	203

注意：以上数据图相关尺寸不作为实物最终依据，东正保留对于数据更新权限不再另行通知。  
Note: The relevant dimensions of the above data diagrams are not regarded as the final basis of the actual object. Dongzheng reserves the right to update the data without further notice.

# 蝶式球阀 Butterfly-type ball valve

电动蝶式球阀外形尺寸图

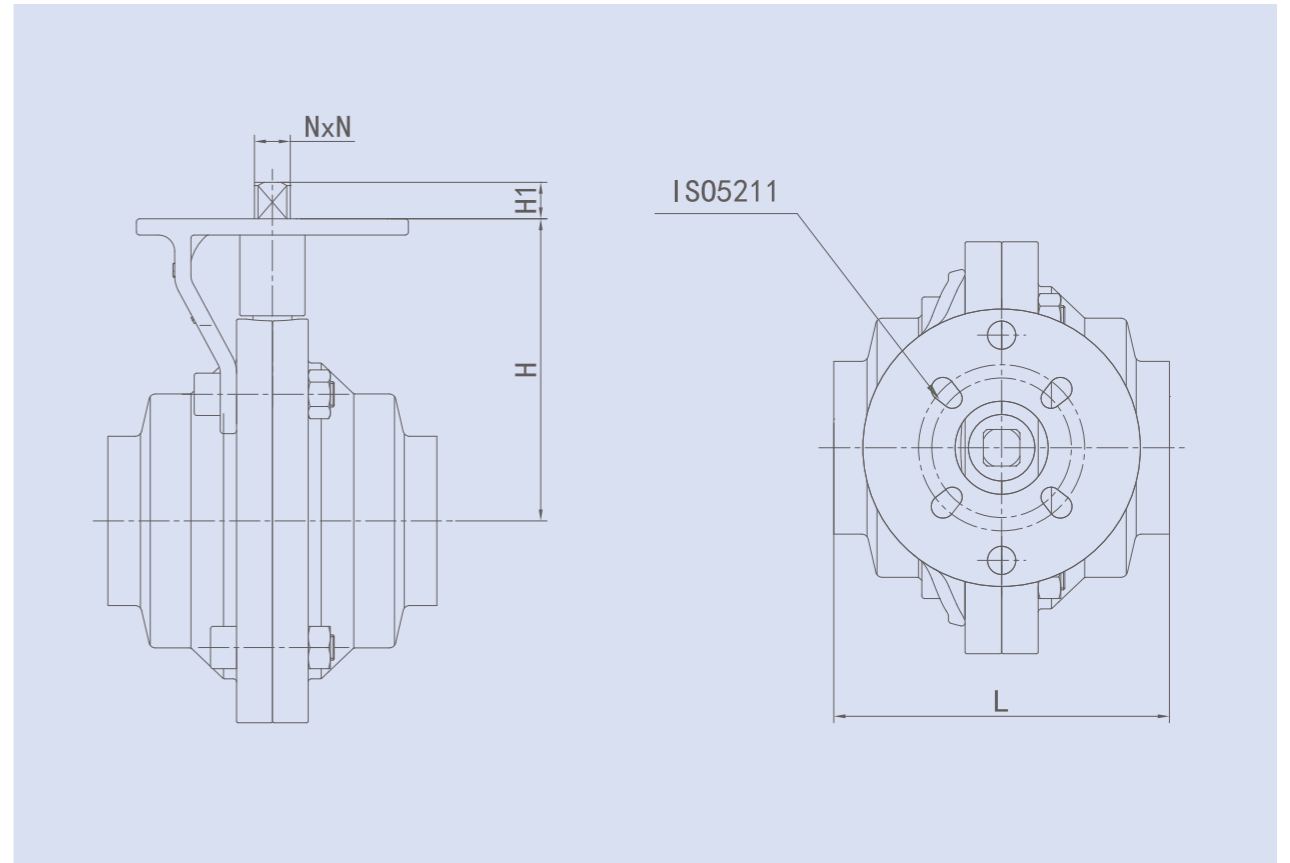


DIN系列

SIZE	D	Dn	L	OD	H4	A	B	C
DN10	13	9.7	72	78	206	165	140.5	137.5
DN15	19	16	72	78	206	165	140.5	137.5
DN20	22	19	72	78	206	165	140.5	137.5
DN25	28	25	72	86	211	165	140.5	137.5
DN32	34	31	83	90	213.4	165	140.5	137.5
DN40	40	37	87.4	106	220.4	165	140.5	137.5
DN50	52	49	101	124	230.3	165	140.5	137.5
DN65	70	66	125	154	300.1	211.5	154	168.5
DN80	85	81	145	180	347.5	259	186	203
DN100	104	100	185	209	362.4	259	186	203

注意：以上数据图相关尺寸不作为实物最终依据，东正保留对于数据更新权限不再另行通知。  
Note: The relevant dimensions of the above data diagrams are not regarded as the final basis of the actual object. Dongzheng reserves the right to update the data without further notice.

蝶式球阀带平台外形尺寸图



蝶式球阀带平台外形尺寸图

SIZE	H	H1	NxN	L	ISO5211	备注	
0.5"	DN10	68.5	12	11x11	72	F04/F05	
0.75"	DN20	68.5	12	11x11	72	F04/F05	
1"	DN25	73.5	12	11x11	72	F04/F05	
1.25"	DN32	75.9	11.5	11x11	83	F04/F05	
1.5"	DN40	82.9	12.1	11x11	87.4	F04/F05	
2"	DN50	92.8	11.2	11x11	101	F04/F05	
2.5"		127.9	27.6	14x14	121	F05	
	DN65	131.6	28.7	14x14	125	F05	F07(配转接板)
3"		138.3	27.2	14x14	135	F05	F07(配转接板)
	DN80	144.5	28.9	14x14	145	F05	F07(配转接板)
4"	DN100	159.4	29.1	17x17	185	F05	F07(配转接板)

注意：以上数据图相关尺寸不作为实物最终依据，东正保留对于数据更新权限不再另行通知。  
Note: The relevant dimensions of the above data diagrams are not regarded as the final basis of the actual object. Dongzheng reserves the right to update the data without further notice.

# 球阀 Ball valve

东正生产球阀至今已有20多年，  
为各行业制造超过300万只  
非常灵活阀体组合，超长寿命，超小扭矩  
锻造阀体，球芯  
全自动机器人生产线

Donjoy has been producing ball valves for more than 20 years and has produced more than 3 million for various industries  
Very flexible valve body combination, super long life, super small torque  
Forged valve body, Ball core  
Automatic robot production line



## 产品概述

东正系列球阀严格按照美国3-A-68-00高洁净要求设计，具有扭矩小，长寿命、全脱脂、密封弹性补偿、体积小、内部无滞留、外观接近于无死角、非常灵活功能组合、无需专业工具即可维护、经济、简单、可靠的系列卫生球阀。经过20多年及超过300万只制造和应用经验并综合了当前最新的技术和材料应用，基于丰富的现场安装和产品应用经验创新设计而成。可应用于各种食品、制药、饮料、啤酒、白酒、水处理、化妆品、新能源、日化洗涤同时可等经过球清理等。

## Product description

Donjoy series ball valves are designed in strict accordance with the high cleanliness requirements of the United States 3-A-68-00, with small torque, long life, full degreasing, sealing elastic compensation, small size, no internal retention, appearance close to no dead ends, and very flexible functional combination, It is economical, simple and reliable series sanitary ball valve that can be maintained without professional tools. After more than 20 years and more than 3 million pieces of manufacturing and application experience, combined with the latest technology and material applications, it is innovatively designed based on rich on-site installation and product application experience. It can be applied to all kinds of food, pharmaceuticals, beverages, beer, liquor, water treatment, cosmetics, new energy, daily chemical washing, etc. at the same time.

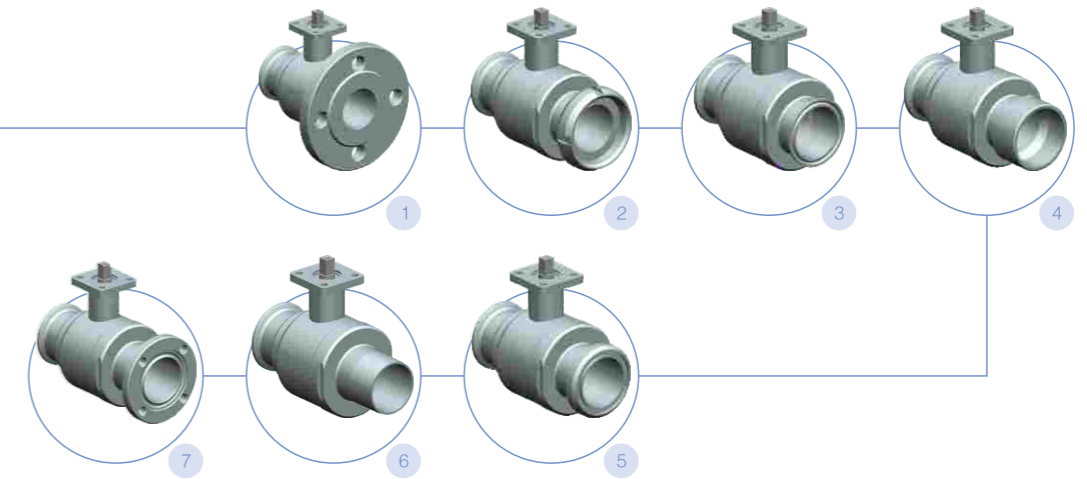
## 技术特点

- 规格: 1/2"-4", DN10-DN100
- 材质: 304/1.4301, 316L/1.4404, ASME BPE 316L 1.4435 NB2 Fe≤0.5%
- 压力: 真空~10bar(1.0 MPa)
- 温度: PTFE -20°C 到+130°C, 取决密封于材质
- 密封: TFM; PTFE; PTFE+Carbon; PEEK
- 连接标准: DIN SMS ISO IDF RJT BS4825 ASME BPE 3A DIN11864 DIN11853
- 连接方式: 螺纹、卡箍、焊接、法兰
- 驱动方式: 手动、涡轮、气动、电动
- 表面光洁度: Ra≤0.8 μm; MP=Ra≤0.3 μm; EP=Ra≤0.3 μm
- 认证: FDA 177.2600; 3A-68-00; Glass II USP Glass VI Chapter 88; GB4806.11; EG VO/1935-2004; PED/97/23/EC.

## Technical Features

- Specifications: 1/2"-4", DN10-DN100
- Material: 304/1.4301, 316L/1.4404, ASME BPE 316L 1.4435 NB2 Fe≤0.5%
- Pressure: Vacuum to 10bar (1.0 MPa)
- Temperature: PTFE -20°C to +130°C, Depending on the seal material
- Sealing: TFM; PTFE; PTFE+Carbon; PEEK
- Connection standard: DIN SMS ISO IDF RJT BS4825 ASME BPE 3A DIN11864 DIN11853
- Connection method: Thread, clamp, welding, flange
- Drive mode: manual, turbo, pneumatic, electric
- Surface finish: Ra≤0.8 μm; MP=Ra≤0.3 μm; EP=Ra≤0.3 μm
- Certification: FDA 177.2600; 3A-68-00; Glass II USP Glass VI Chapter 88; GB4806.11; EG VO/1935-2004; PED/97/23/EC.

## 各种连接方式 Various connection type

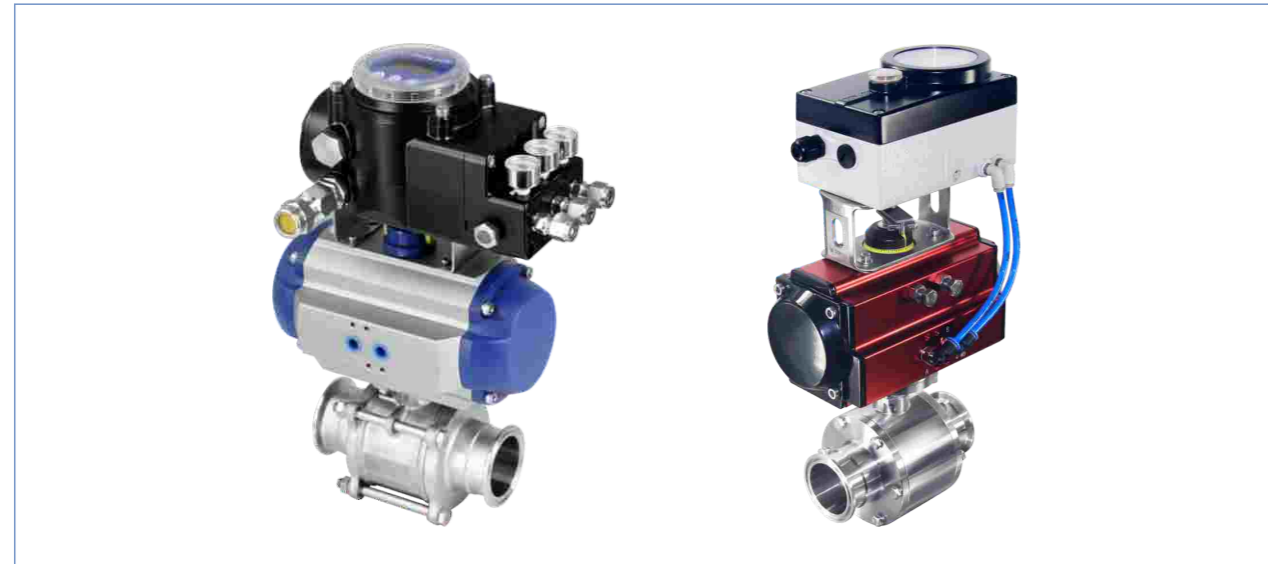


1. 法兰接口
2. 螺母接口 DIN SMS IDF RJT ISO
3. 卡箍接头 ASME BPE 3A DIN ISO
4. 内螺纹 DIN BSP BSPT NPT
5. 外螺纹 DIN SMS IDF RJT ISO
6. 对焊 DIN ASME BPE BS4825 ISO
7. 无菌法兰 DIN 11864 DIN 11853 ASME BPE

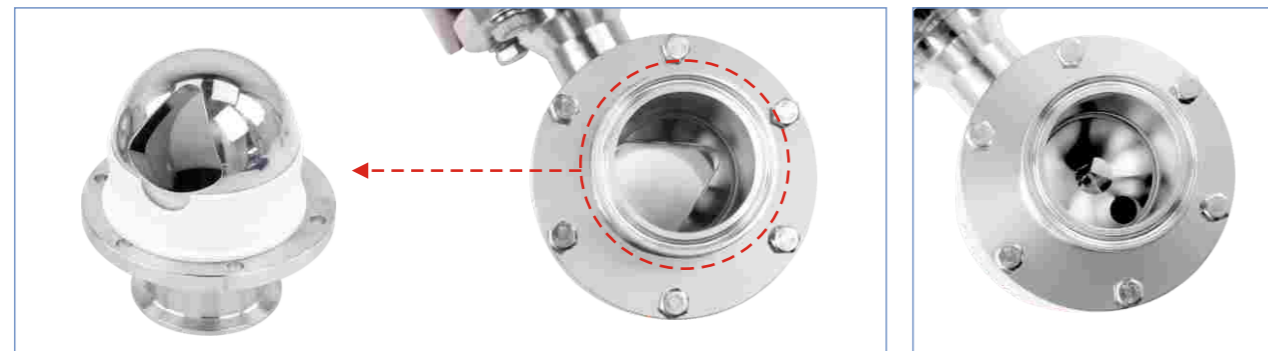
1. Flange interface
2. Nut interface DIN SMS IDF RJT ISO
3. Clamp joint ASME BPE 3A DIN ISO
4. Female thread DIN BSP BSPT NPT
5. Male thread DIN SMS IDF RJT ISO
6. Butt welding DIN ASME BPE BS4825 ISO
7. Aseptic flange DIN 11864 DIN 11853 ASME BPE

注意: 各种连接方式适用于, 所有的不同系列的球阀, 如直通、三通、迷你型、四通等。  
Note: Various connection type are applicable to all different series of ball valves, such as straight, three-way, mini, four-way, etc.

# 调节式球阀 Adjustable ball valve

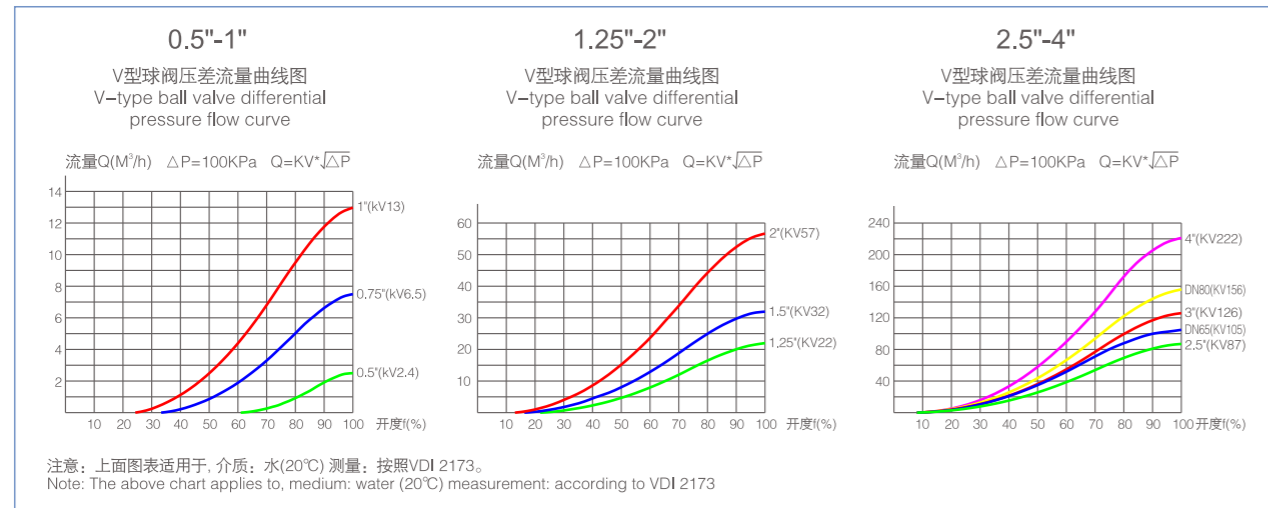


## 特殊球芯选择 Special core selection



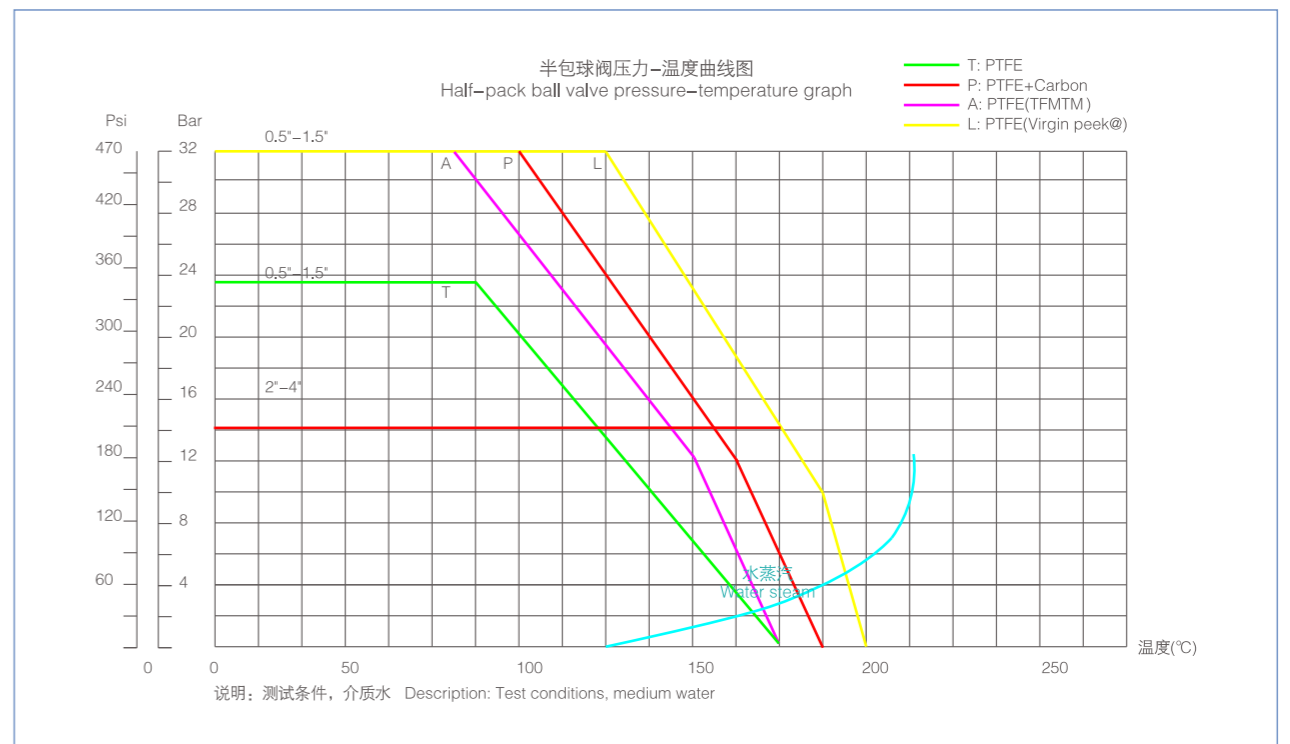
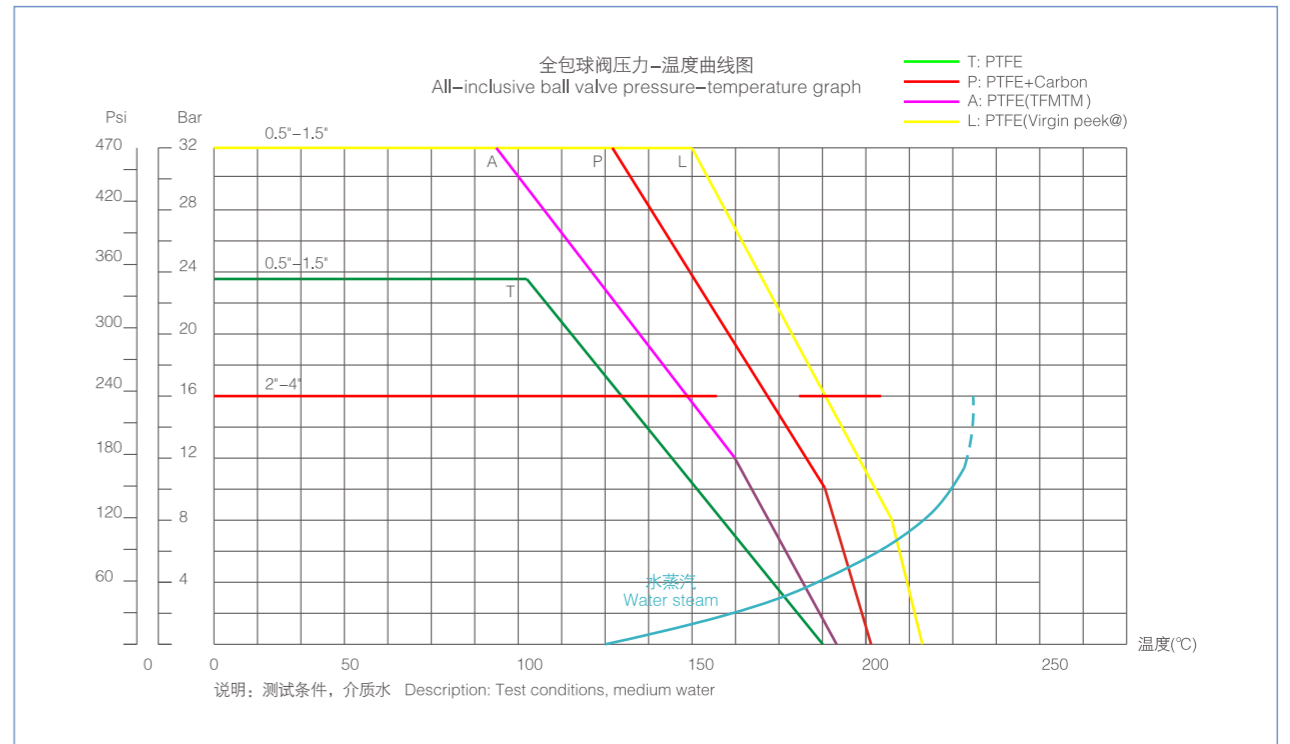
V型球芯  
V-shaped ball core

液体循环排泄孔  
Liquid circulation drain hole



# 球阀 Ball valve

## 球阀工作压力和工作温度曲线图 Curve for ball valve working pressure and work temperature



# 球阀 Ball valve

ISO5211安装尺寸和扭矩, 可能会因款式不同而会稍有不同。  
ISO5211 installation size and torque may be slightly different due to different styles.



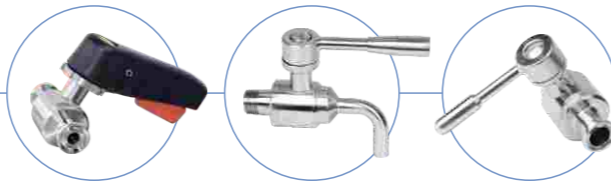
规格 Size	法兰平台 ISO5211	阀杆方心 口	扭矩 N.M	
			直通 2-way	三通/四通 3-way/4-way
1/2"	DN10	8*8	6	7
3/4"	DN15			
1"	DN25	11*11	10	12
1.1/4"	DN32			
1.5"	DN40	11*11	15	20
2"	DN50			
2.5"	-	14*14	45	55
-	DN65			
3"	-	14*14	65	75
3.5"	DN80			
4"	DN100	F10/F12	110	125

## QF-MINI Series

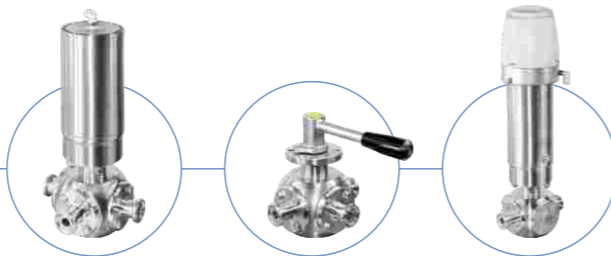
仅有2N.M扭矩, 使用寿命长、全脱脂、密封弹性补偿、极小体积、内部无滞留、外观接近于无死角、非常灵活功能组合、无需专业工具即可维护、经济、简单、可靠。

Only 2N.M torque, long service life, full degreasing, sealing elastic compensation, very small size, no internal retention, appearance close to no dead ends, very flexible function combination, maintenance without professional tools, economical, simple and reliable.

迷你直通球阀  
Mini 2-way ball valve



迷你三通球阀  
Mini three-way ball valve

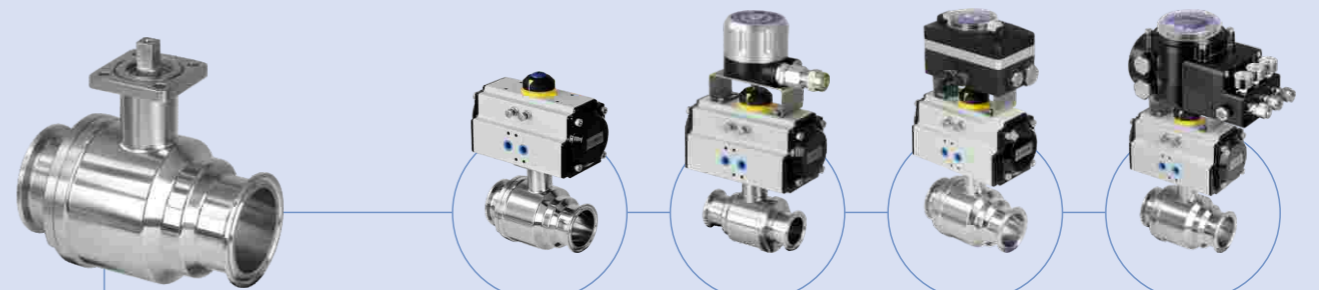


## QF-2T Series

中头螺纹直通球阀  
Middle threaded 2-way

小扭矩, 使用寿命长、全脱脂、密封弹性补偿、体积小、内部有微量滞留、外观接近于无死角、非常灵活功能组合、无需专业工具即可维护、经济、简单、可靠。

Small torque, long service life, full degreasing, sealing elastic compensation, small size, trace retention inside, appearance close to no dead ends, very flexible function combination, maintenance without professional tools, economical, simple and reliable.



球阀可适配于卧式、立式、电动等各种执行器。  
也可适配各种阀门控制器, 如定位器、控制单元、位置反馈器等。  
The ball valve can be adapted to various actuators such as horizontal, vertical and electric.  
It can also be adapted to various valve controllers, such as positioner, Control Unit, position feedback device, etc.



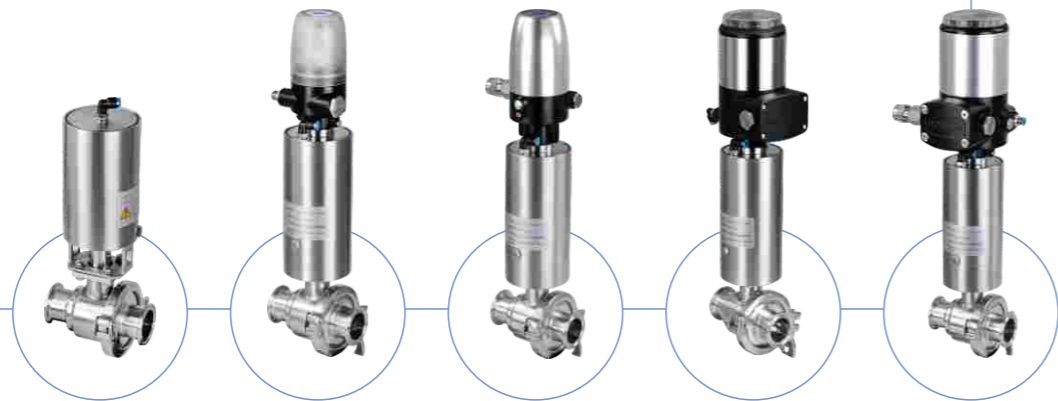
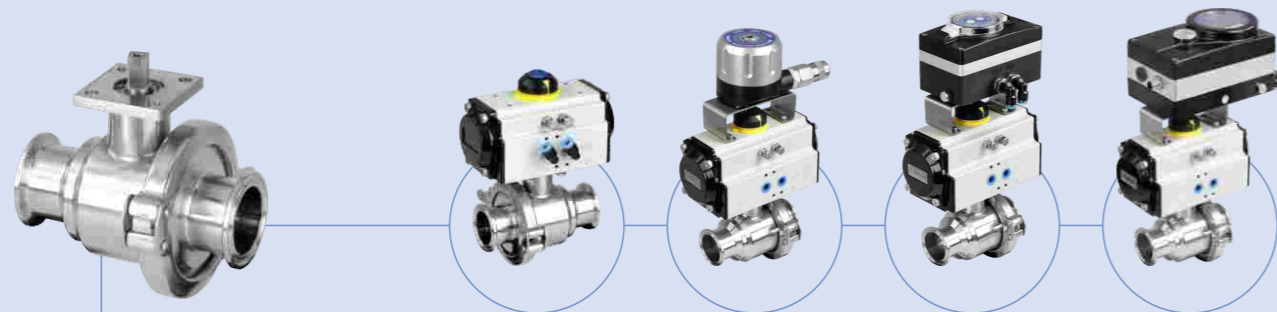
# 球阀 Ball valve

## QFK-2T Series

**中头卡箍无滞留球阀**  
Middle clamp non-retention ball valve

小扭矩，使用寿命长、全脱脂、密封弹性补偿、体积小、内部无滞留、外观少量有死角、非常灵活功能组合、无需专业工具即可维护、经济、简单、可靠。

Small torque, long service life, full degreasing, sealing elastic compensation, small size, no internal retention, a few dead spots in appearance, very flexible function combination, maintenance without professional tools, economical, simple and reliable.



## QF-3P Series

**三片式球阀**  
Three-piece ball valve

小扭矩，使用寿命长、全脱脂、密封弹性补偿、体积小、内部无滞留、外观有死角、非常灵活功能组合、无需专业工具即可维护、经济、简单、可靠。

Small torque, long service life, full degreasing, sealing elastic compensation, small size, no internal retention, dead angle in appearance, very flexible function combination, maintenance without professional tools, economical, simple and reliable.



位置传感器  
Position sensor

F-TOP-2253

F-TOP-22A53

IL-TOP-21A31

C-TOP-2221

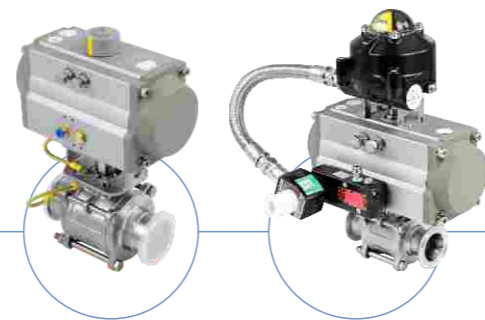
# 球阀 Ball valve

## QF-3P Series

### 三片式球阀 Three-piece ball valve

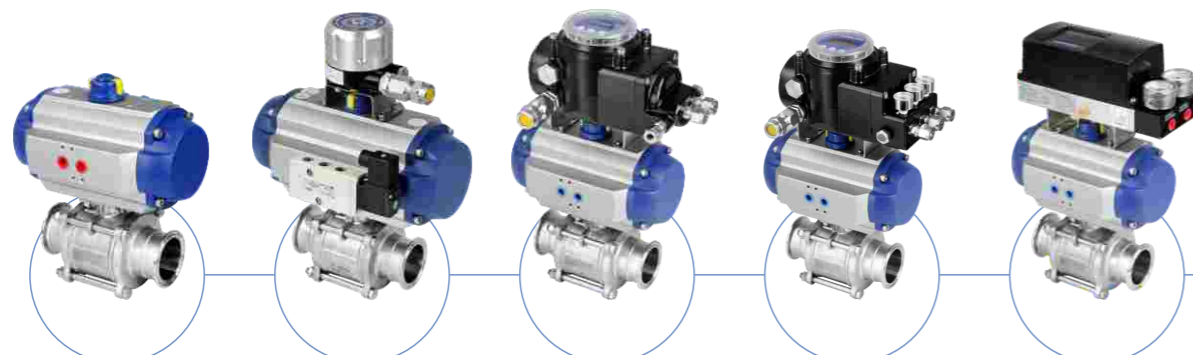
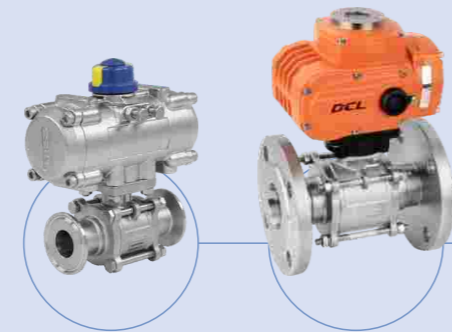
小扭矩，使用寿命长、全脱脂、密封弹性补偿、体积小、内部无滞留、外观有死角、非常灵活功能组合、无需专业工具即可维护、经济、简单、可靠。

Small torque, long service life, full degreasing, sealing elastic compensation, small size, no internal retention, dead angle in appearance, very flexible function combination, maintenance without professional tools, economical, simple and reliable.



不锈钢卧式气动  
Stainless steel horizontal pneumatic

电动球阀  
Electric ball valve



卧式气动  
Horizontal pneumatic

F-TOP+电磁阀  
F-TOP + solenoid valve

C-TOP-22A62

IL-TOP-22A41/42

IL-TOP-1891

## QFWW-2T Series

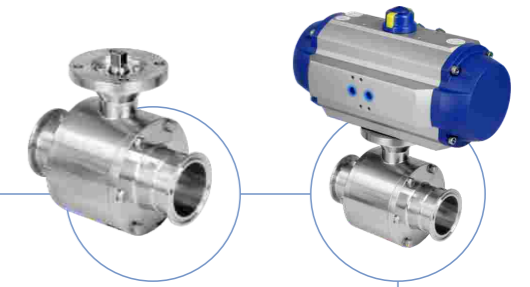
### 内外无滞留球阀 Inside & outside non-retention ball valve

小扭矩，使用寿命长、全脱脂、密封弹性补偿、体积小、内部无滞留、外观无死角、非常灵活功能组合、无需专业工具即可维护、经济、简单、可靠。

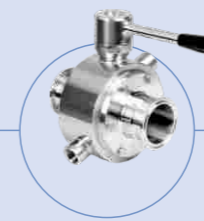
Small torque, long service life, full degreasing, sealing elastic compensation, small size, no internal retention, appearance close to no dead ends, very flexible function combination, maintenance without professional tools, economical, simple and reliable.



Size: 1"-8", DN25-DN200



手动球阀  
Manual ball valve



保温夹套  
Insulation jacket



手动+反馈器  
Manual + Feedback



F-TOP-22A74



C-TOP-2262



IL-TOP-1441/42

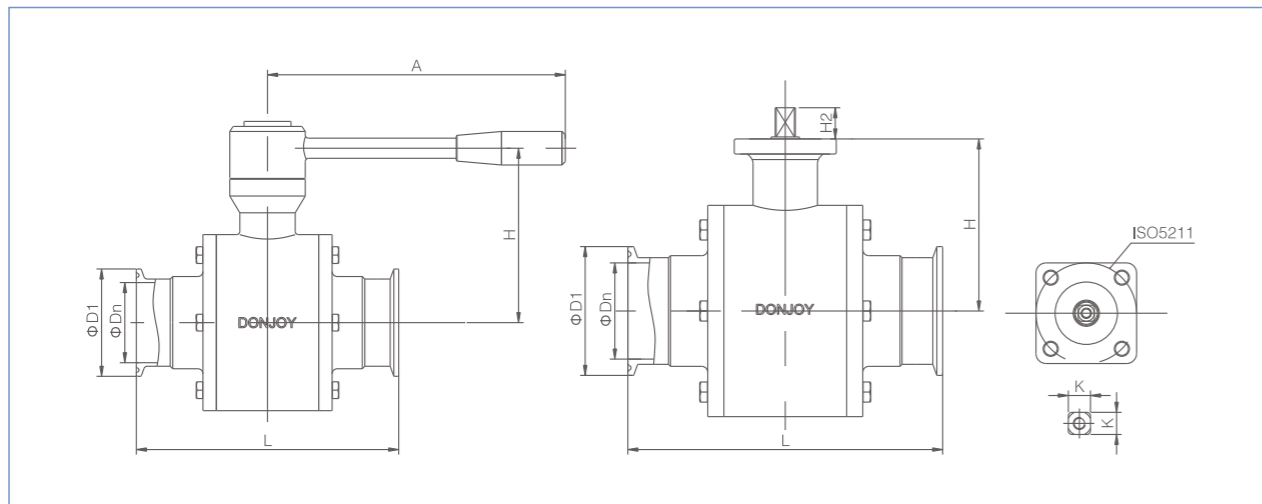
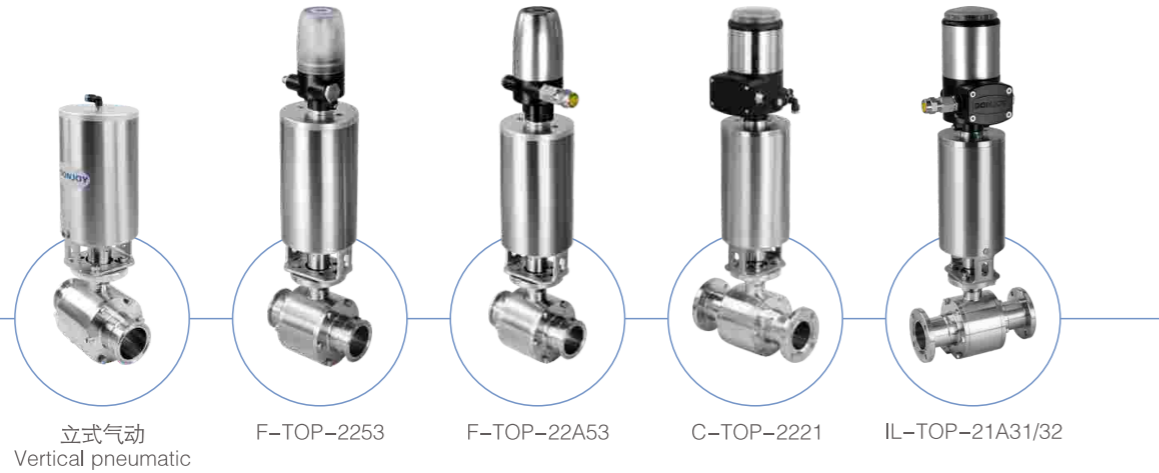


C-TOP-22A62



IL-TOP-22A41/42

# 球阀 Ball valve



SIZE	ΦD	ΦD1	L	H	H2	K × K	ISO5211	手动 Manual	
								H	A
0.5"	12.7	25.4	89	63	13.5	8 × 8	F04	80	90
0.75"	19	25.4	89	63	13.5	8 × 8	F04	80	90
1"	25.4	25.4	114	63	13.5	8 × 8	F04	85.5	142
1.25"	31.8	31.8	117	68.5	14.5	8 × 8	F04/F05	91	142
1.5"	38.1	38.1	142	76.5	15.5	10 × 10	F05	100	178
2"	50.8	50.8	156	85.5	16	10 × 10	F05	109	178
2.5"	63.5	63.5	197	100	20	14 × 14	F07	127	198
3"	76.2	76.2	221	109	20	14 × 14	F07	136	197
3.5"	89	89	229	117	20	14 × 14	F07	146	242
4"	101.6	101.6	241	132	20	14 × 14	F07/F10	161	242

## QF-3T-23 Series

### 三通球阀 Three way ball valve

2023款三通球阀是我们精心设计的一款产品，它具有更小的滞留、更小体积、更高承压、更加明确开启位置指示、更小的扭矩、更加美观等技术特点。

2023 3-way ball valves are well-designed, which has technical characteristics such as smaller retention, smaller volume, higher pressure, clearer opening position indication, less torque, and more aesthetics.



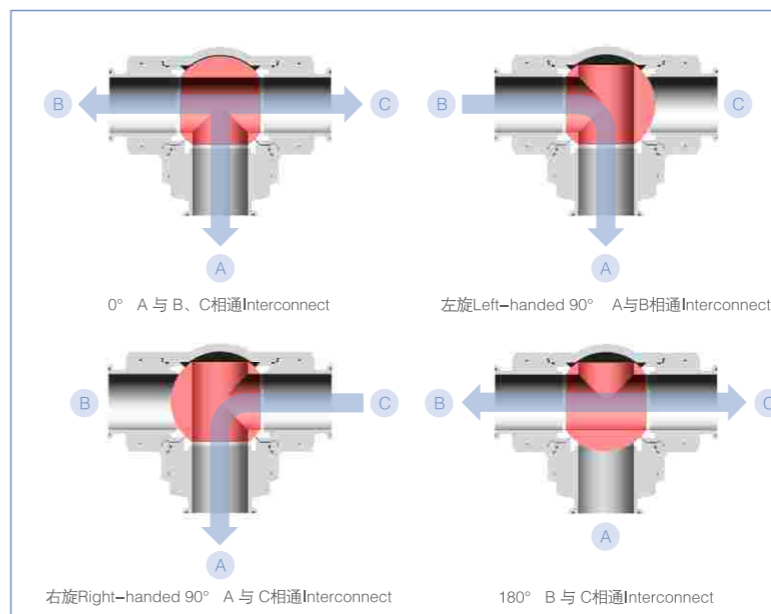
#### 技术特点 Technical Features

规格: 1"-4", DN25-DN100  
材质: SS304, SS316L  
温度: -20°C到130°C  
压力: 真空-10bar

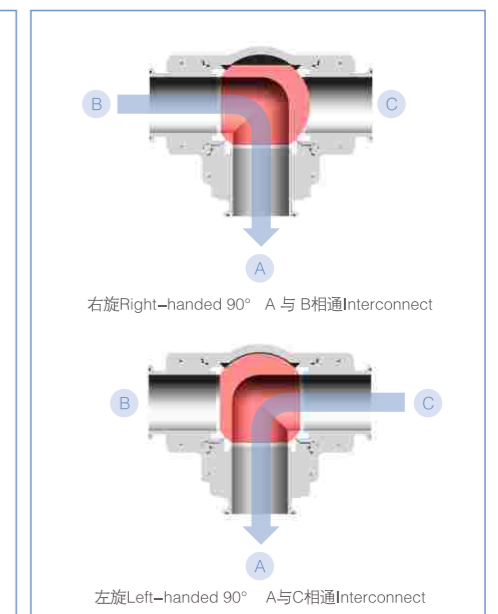
Size: 1"-4", DN25-DN100  
Material: SS304, SS316L  
Temperature: -20° C to 130° C  
Pressure: vacuum - 10 bar



#### T型三通球阀工作示意图 Working diagram of T-type three-way ball valve



#### L型三通球阀工作示意图 Working diagram of L-type three-way ball valve





# 球阀 Ball valve

## QF-3T-23 Series

### 三通球阀 Three way ball valve

2023款三通球阀是我们精心设计的一款产品，它具有更少的滞留、更小体积、更高承压、更加明确开启位置指示、更小的扭矩、更加美观等技术特点。

2023 3-way ball valves are well-designed, which has technical characteristics such as smaller retention, smaller volume, higher pressure, clearer opening position indication, less torque, and more aesthetics.



## QFW-3T Series

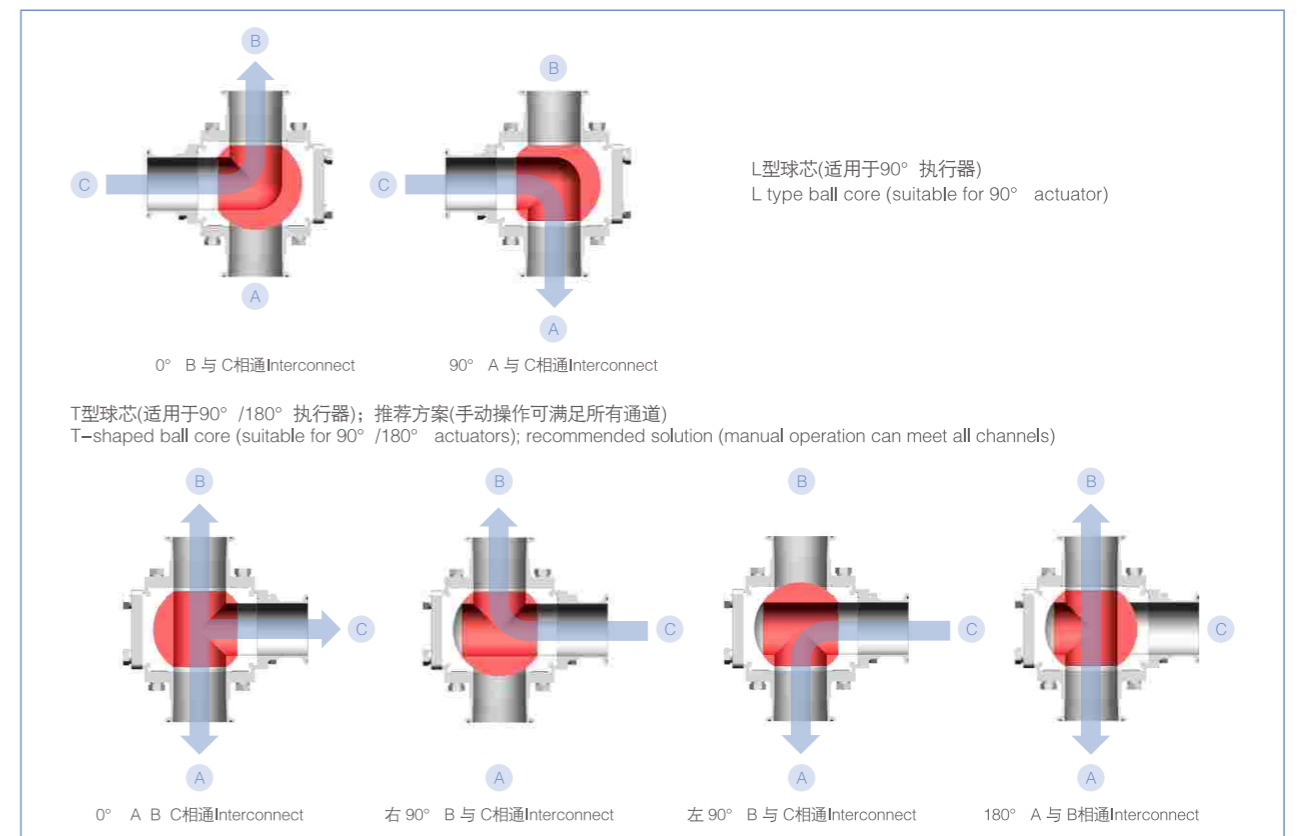
### 三通无滞留球阀 Three-way non-retention ball valve

小扭矩，使用寿命长、全脱脂、密封弹性补偿、体积小、内部无滞留、外观接近于无死角、非常灵活功能组合、无需专业工具即可维护、经济、简单、可靠。

Small torque, long service life, full degreasing, sealing elastic compensation, small size, no internal retention, appearance close to no dead ends, very flexible function combination, maintenance without professional tools, economical, simple and reliable.



### 工作示意图 Working diagram



# 球阀 Ball valve

## QFW-3T Series

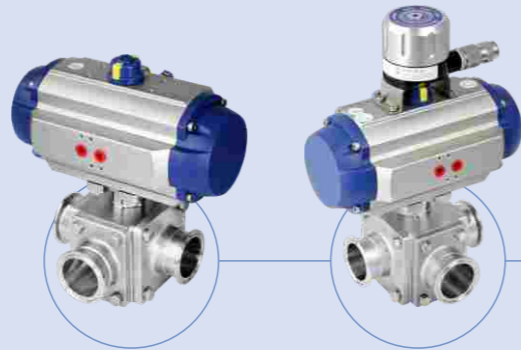
### 三通无滞留球阀 Three-way non-retention ball valve

小扭矩，使用寿命长、全脱脂、密封弹性补偿、体积小、内部无滞留、外观接近于无死角、非常灵活功能组合、无需专业工具即可维护、经济、简单、可靠。

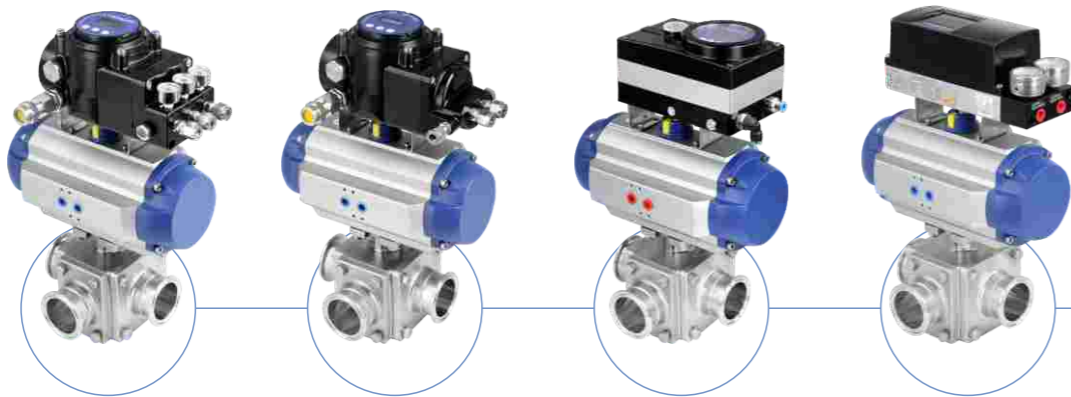
Small torque, long service life, full degreasing, sealing elastic compensation, small size, no internal retention, appearance close to no dead ends, very flexible function combination, maintenance without professional tools, economical, simple and reliable.



电动球阀  
Electric ball valve



气动三通无滞留球阀可适配各种阀门控制器。  
Pneumatic three-way non-retention ball valve can be adapted to various valve controllers.



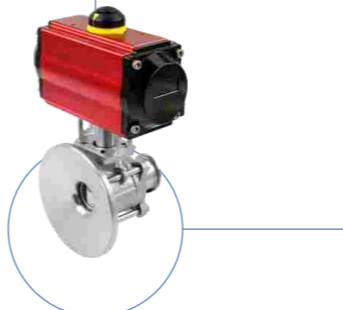
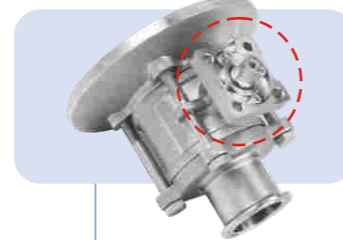
## QF-GD Series

### 罐底球阀 Tank bottom ball valve

小扭矩，使用寿命长、全脱脂、密封弹性补偿、体积小、内部无滞留、非常灵活功能组合、无需专业工具即可维护、经济、简单、可靠。

Small torque, long service life, full degreasing, sealing elastic compensation, small size, no internal retention, very flexible function combination, maintenance without professional tools, economical, simple and reliable.

Size: 1"-4", DN25-DN100



主要应用容器设备上，用于放料、排泄。  
Mainly used in container equipment, for discharge.

罐底球阀适配于、手动、气动、电动等驱动装置其包含定位器、控制单元、反馈器、位置传感器等。

Tank bottom ball valve is suitable for manual, pneumatic, electric and other driving devices, including positioner, control unit, feedback, position sensor, etc.

# 球阀 Ball valve

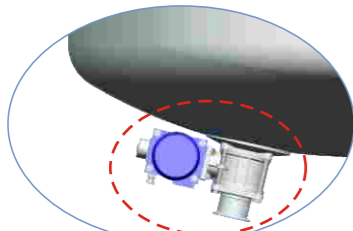
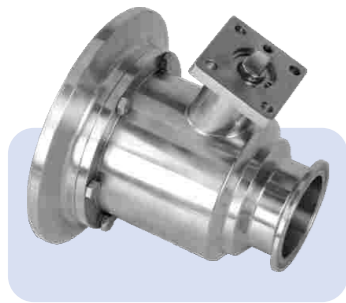
## QF-GDX Series

### 倾斜式罐底球阀 Inclined tank bottom ball valve

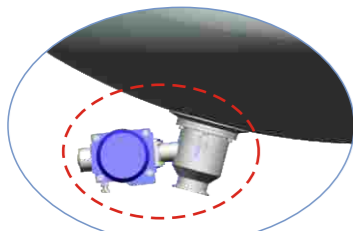
倾斜式罐底球阀设计主要为解决因罐体底部为弧形设计而导致球阀驱动装置与其干涉解决方案。

Inclined tank bottom ball valve is designed to mainly solve interference between ball valve driving and bottom of tank which is caused by arc design of tank bottom.

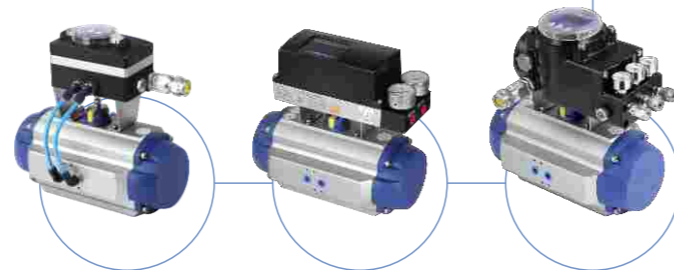
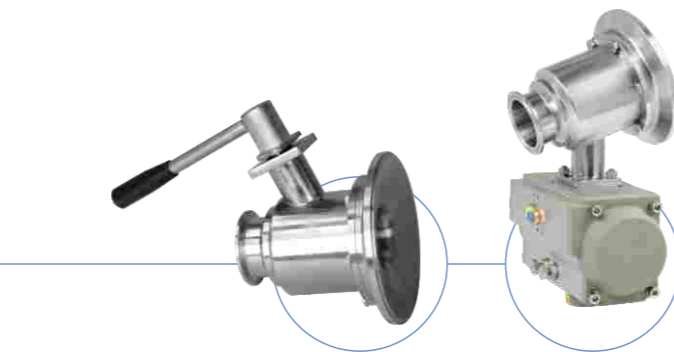
Size: 1"-4", DN25-DN100



标准型罐底球阀  
Standard tank bottom ball valve



倾斜式罐底球阀  
Inclined tank bottom ball valve



卧式气动倾斜角度罐底球阀可适配各种阀门控制器  
Horizontal pneumatic tilt angle tank bottom ball valve can be adapted to various valve controllers



立式气动倾斜角度罐底球阀可适配各种阀门控制器  
Vertical pneumatic tilt angle tank bottom ball valve can be adapted to various valve controllers

## QFW-4T Series

### 四通无滞留球阀 Four-way non-retention ball valve

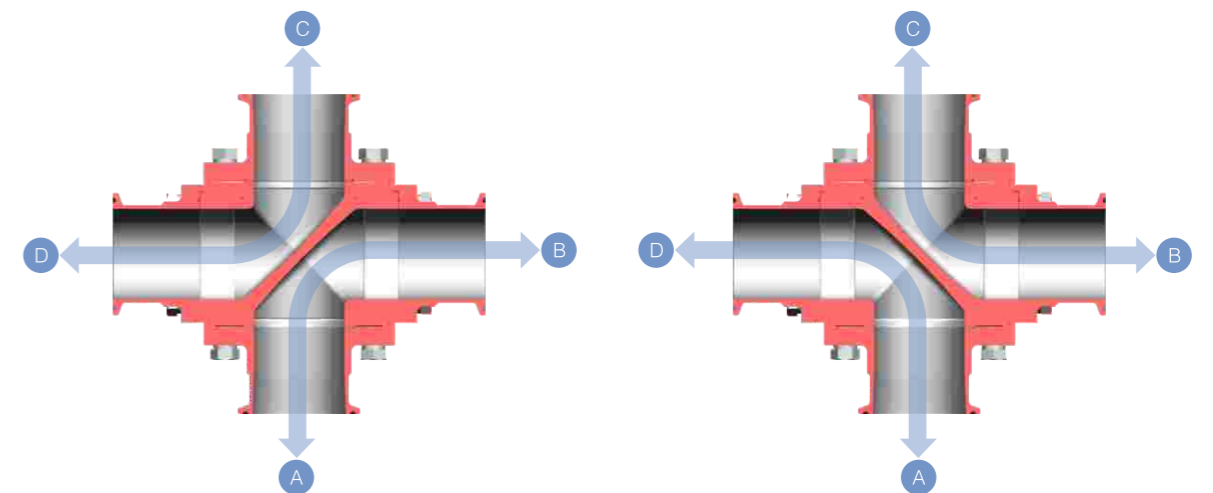
四通球阀是一款双L型通道的球阀，它设计有4个通道，通过旋转90°即可实现通道切换，且形成双L型通道。

The four-way ball valve is a double L-channel ball valve, which is designed with 4 channels, and the channel can be switched by rotating 90°, and a double L-shaped channel is formed.

Size: 1"-4", DN25-DN100 Pressure: 10bar



### 工作示意图 Working diagram

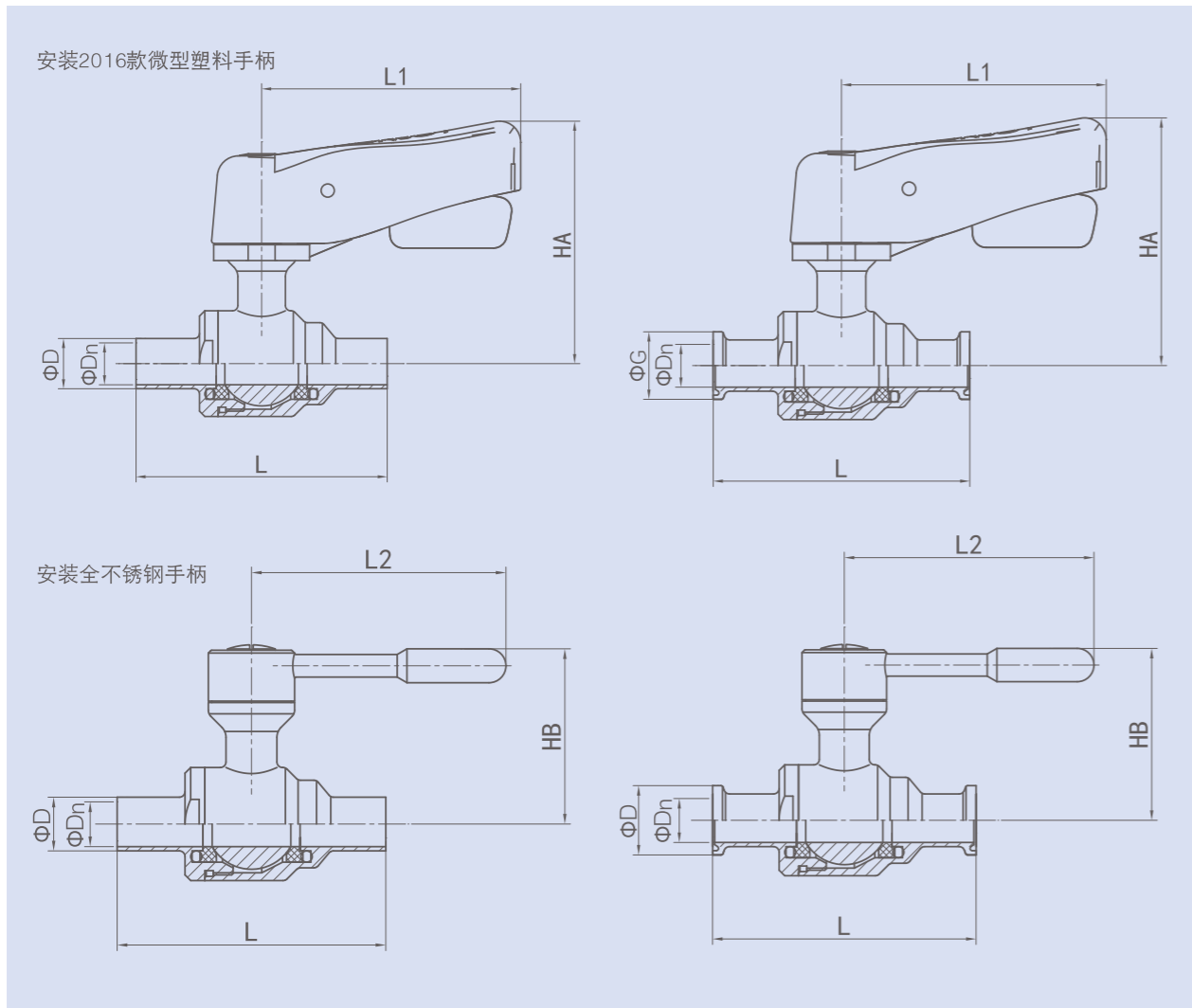


0° A与B相通; C与D相通  
0° A and B connect; C and D connect

90° A与D相通; B与C相通  
90° A and D connect; B and C connect

# 球阀 Ball valve

2016款迷你型手动直通球阀数据图



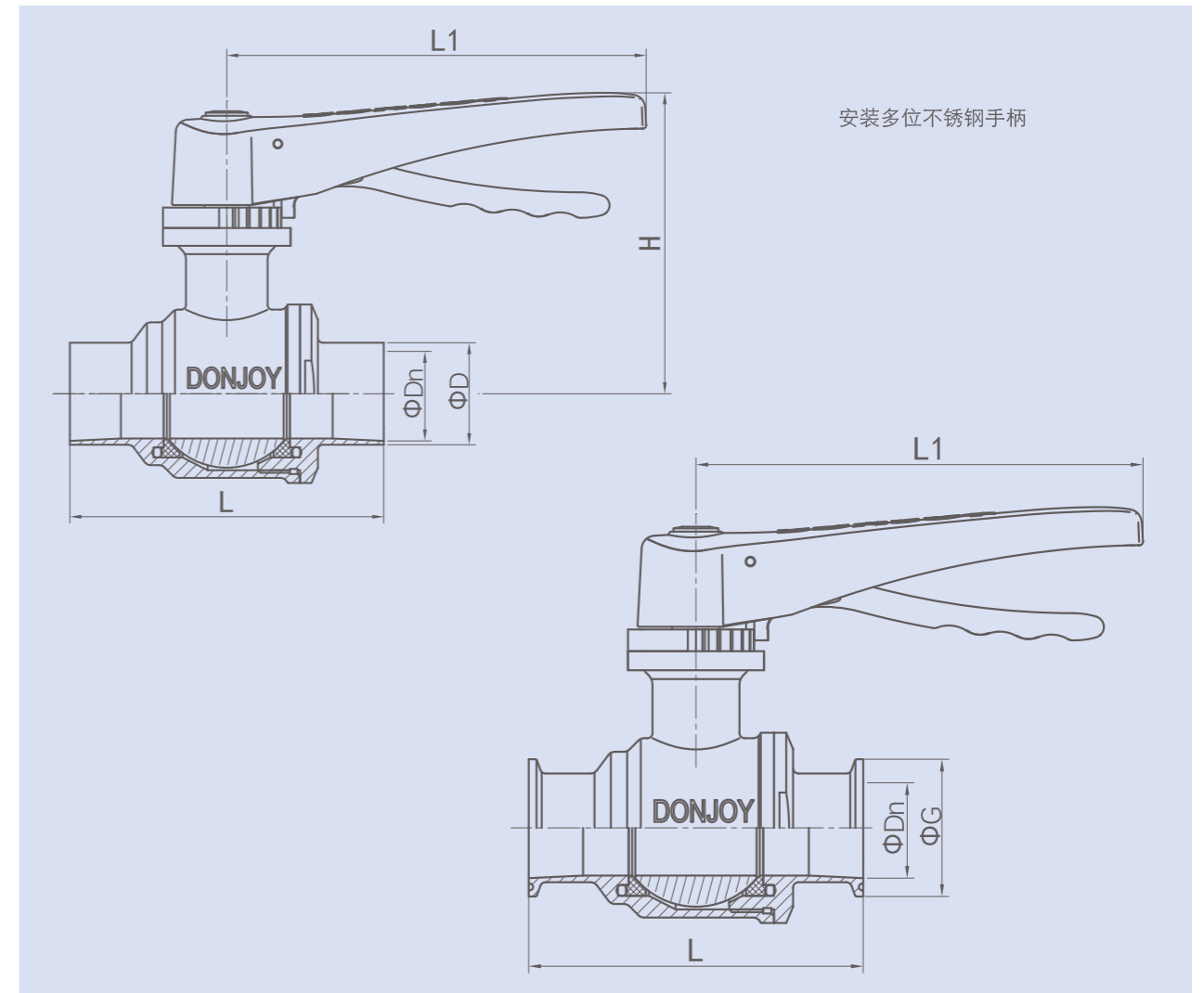
INCH

SIZE	D	Dn	G	L	L1	HA	L2	HB
0.5"	12.7	9.4	25	95	98	91.5	90	62
0.75"	19	16	25	95	98	91.5	90	62

DIN

SIZE	D	Dn	G	L	L1	HA	L2	HB
DN10	13	9.7	34	95	98	91.5	90	62
DN15	19	16	34	95	98	91.5	90	62
DN20	22	19	34	95	98	91.5	90	62

2016款手动直通球阀数据图



INCH

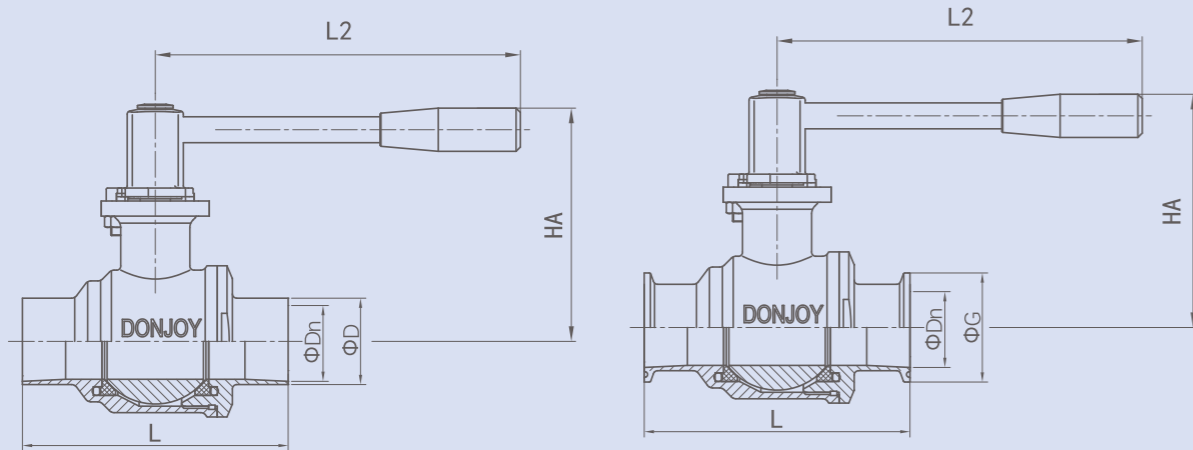
SIZE	D	Dn	G	L	L1	H	L2	HA	L3	HB
1"	25.4	22.4	50.5	100	164	108	138	97	143	77.5
1.25"	31.8	28.8	50.5	108	164	114	138	104	144	84.5
1.5"	38.1	35.1	50.5	123	165	118	168	109	177	88.5
2"	50.8	47.8	64	136	165	134	168	125	177	105
2.5"	63.5	59.5	77.5	150	214	150	273	149	201	122
3"	76.2	72.2	91	172	214	167	273	166	201	139
4"	101.6	97.6	119	206	214	189	273	187	243	163

注意：以上数据图相关尺寸不作为实物最终依据，东正保留对于数据更新权限不再另行通知。  
Note: The relevant dimensions of the above data diagrams are not regarded as the final basis of the actual object. Dongzheng reserves the right to update the data without further notice.

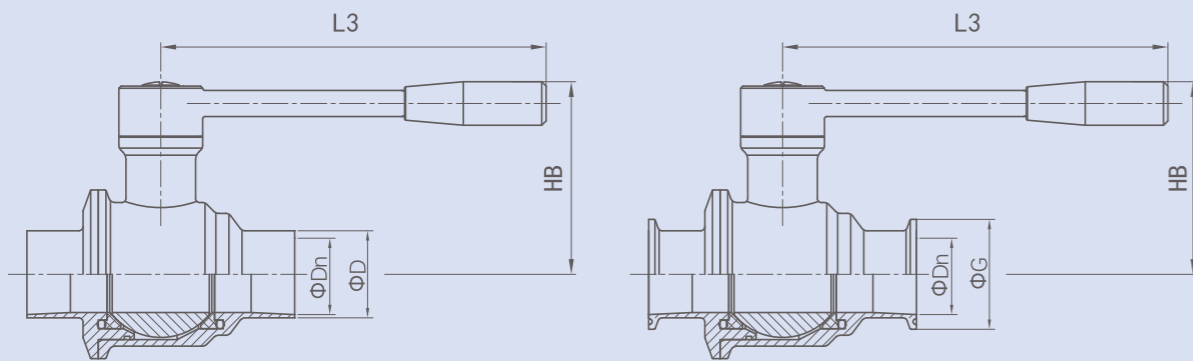
# 球阀 Ball valve

2016款手动直通球阀数据图

安装三片式无滞留球阀手柄



安装2016款直通球阀手柄

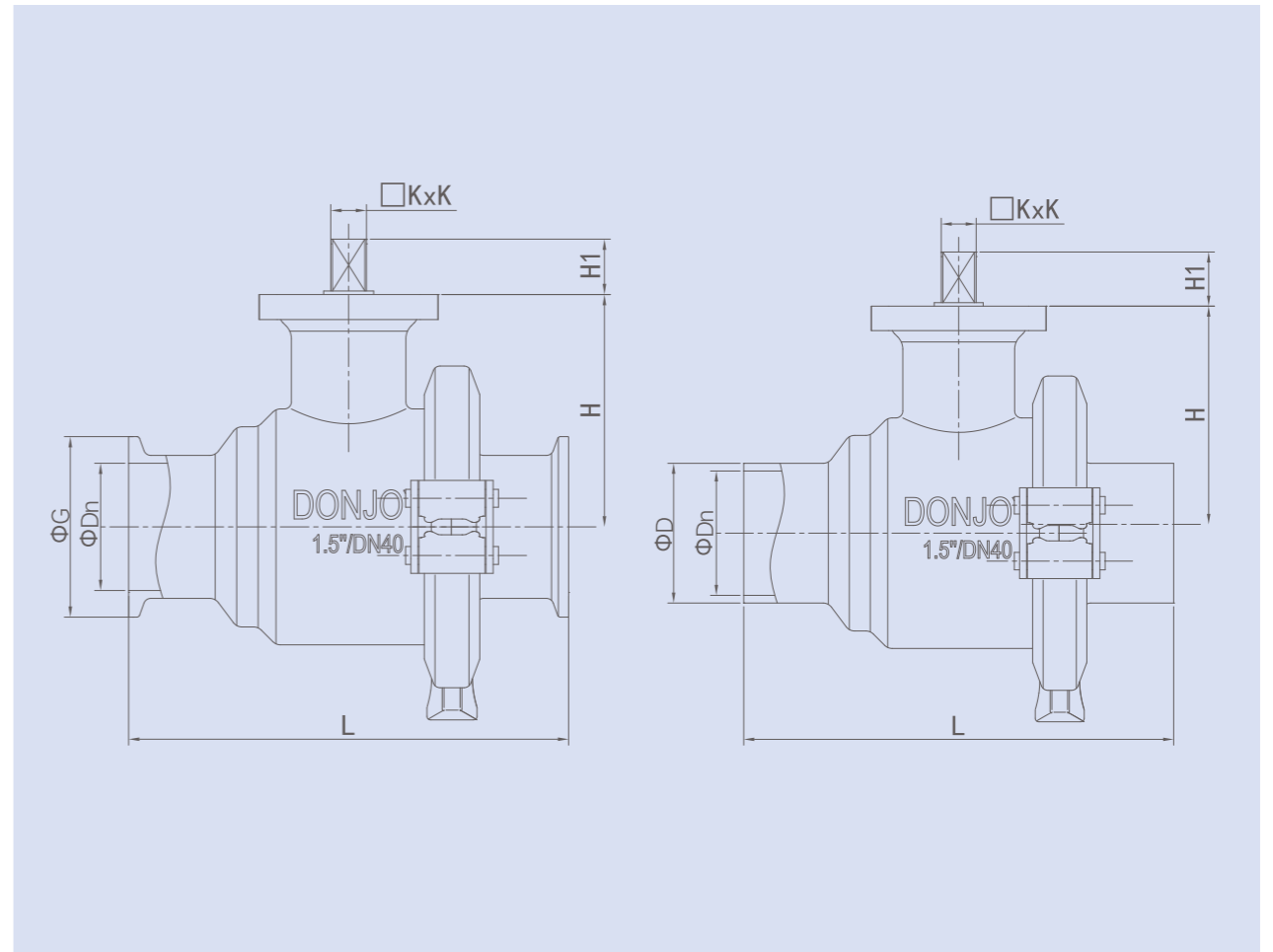


## DIN

SIZE	D	Dn	G	L	L1	H	L2	HA	L3	HB
DN25	28	25	50.5	100	164	108	138	97	143	77.5
DN32	34	31	50.5	108	164	114	138	104	144	84.5
DN40	20	37	50.5	123	165	118	168	109	177	88.5
DN50	52	49	64	136	165	134	168	125	177	105
DN65	70	66	91	162	214	152	273	151	197	124
DN80	85	81	106	180	214	174	273	172	243	147
DN100	104	100	119	206	214	189	273	187	243	163

注意：以上数据图相关尺寸不作为实物最终依据，东正保留对于数据更新权限不再另行通知。  
Note: The relevant dimensions of the above data diagrams are not regarded as the final basis of the actual object. Dongzheng reserves the right to update the data without further notice.

2016款直通球阀带平台（不带执行器）数据图



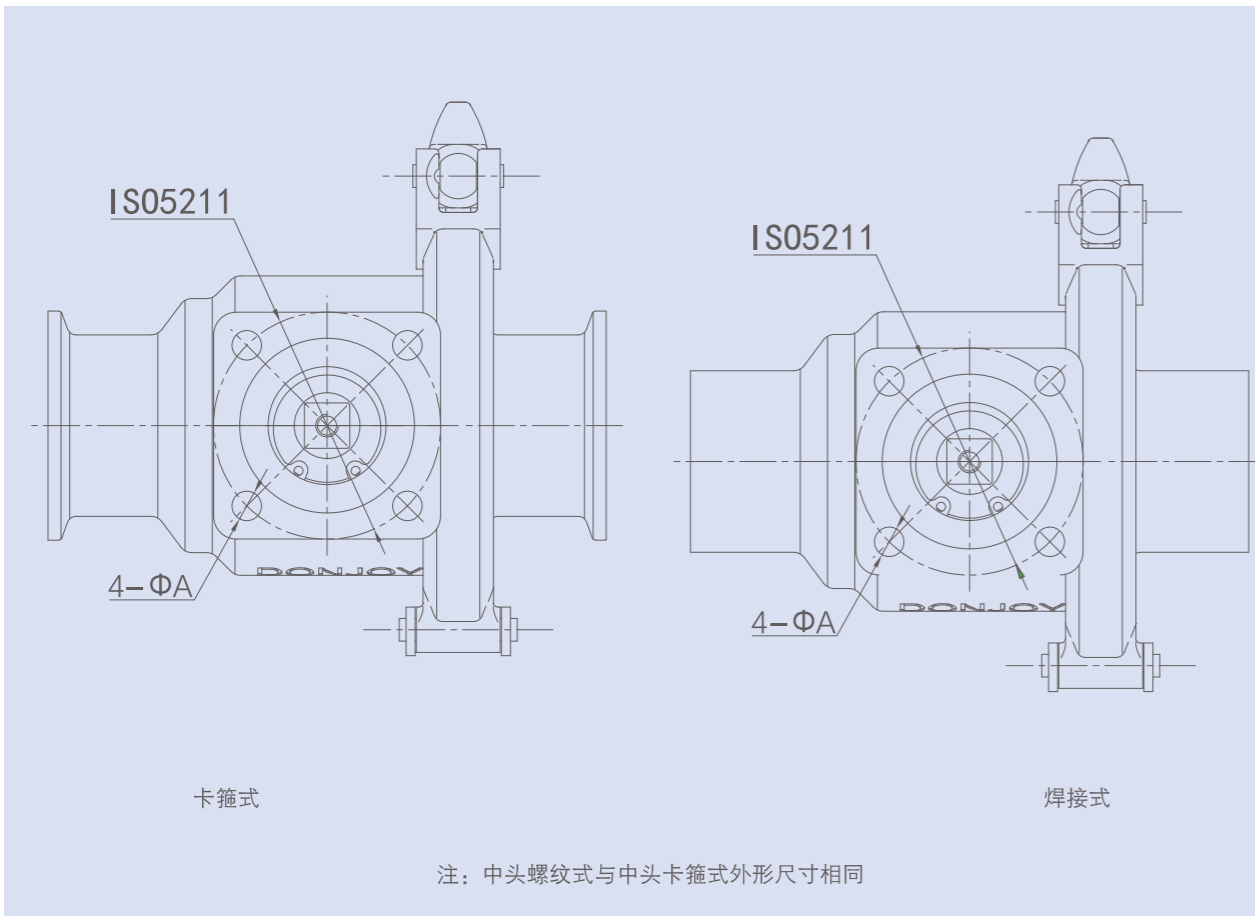
## INCH

SIZE	D	Dn	G	L	H	H1	KxK	ISO5211	A
0.5"	12.7	9.4	25	95	45	13.5	8x8	F04	5.5(F04)
0.75"	19	16	25	95	45	13	8x8	F04	5.5(F04)
1"	25.4	22.4	50.5	100	55	13	8x8	F04	5.5(F04)
1.25"	31.8	28.8	50.5	108	62	14	8x8	F04/F05	5.5(F04)/6.5(F05)
1.5"	38.1	35.1	50.5	123	65	15	10x10	F05	6.5(F05)
2"	50.8	47.8	64	136	81.5	16	10x10	F05	6.5(F05)
2.5"	63.5	59.5	77.5	150	95	20	14x14	F07	8.5(07)
3"	76.2	72.2	91	172	112	20	14x14	F07	8.5(07)
4"	101.6	97.6	119	206	133.5	20	14x14	F07/F10	8.5(07)/10.5(F10)

注意：以上数据图相关尺寸不作为实物最终依据，东正保留对于数据更新权限不再另行通知。  
Note: The relevant dimensions of the above data diagrams are not regarded as the final basis of the actual object. Dongzheng reserves the right to update the data without further notice.

# 球阀 Ball valve

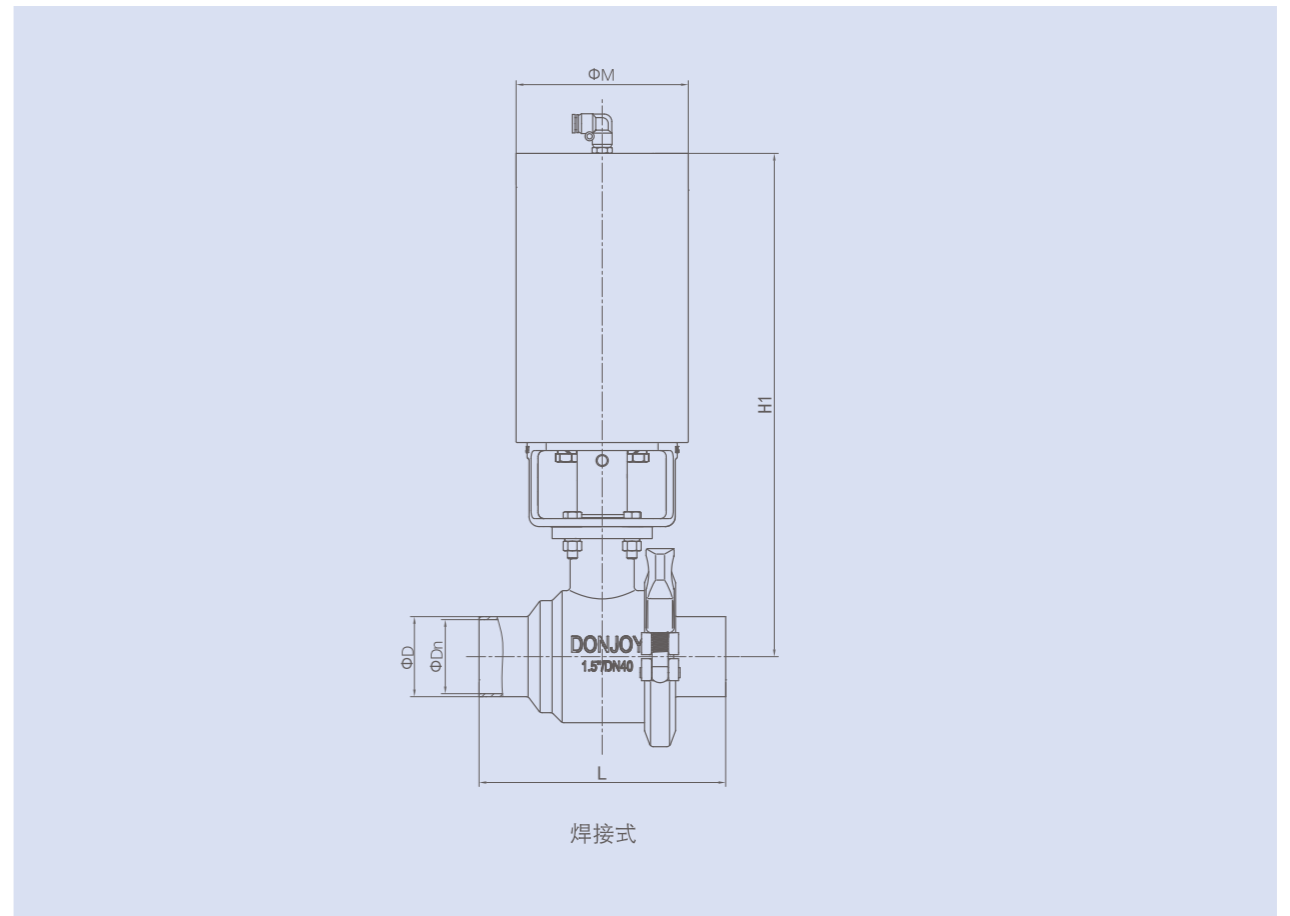
2016款直通球阀带平台（不带执行器）数据图



DIN									
SIZE	D	Dn	G	L	H	H1	KxK	ISO5211	A
DN10	13	9.7	34	95	45	13.5	8x8	F04	5.5(F04)
DN15	19	16	34	95	45	13	8x8	F04	5.5(F04)
DN20	22	19	34	95	45	13	8x8	F04	5.5(F04)
DN25	28	25	50.5	100	55	13	8x8	F04	5.5(F04)
DN32	34	31	50.5	108	62	14	8x8	F04/F05	5.5(F04)/6.5(F05)
DN40	40	37	50.5	123	65	15	10x10	F05	6.5(F05)
DN50	52	49	64	136	81.5	16	10x10	F05	6.5(F05)
DN65	70	66	91	162	97	20	14x14	F07	8.5(F07)
DN80	85	81	106	180	118	20	14x14	F07	8.5(F07)
DN100	104	100	119	206	133.5	20	14x14	F07/F10	8.5(F07)/10.5(F10)

注意：以上数据图相关尺寸不作为实物最终依据，东正保留对于数据更新权限不再另行通知。  
Note: The relevant dimensions of the above data diagrams are not regarded as the final basis of the actual object. Dongzheng reserves the right to update the data without further notice.

2016款不锈钢气动直通球阀数据图

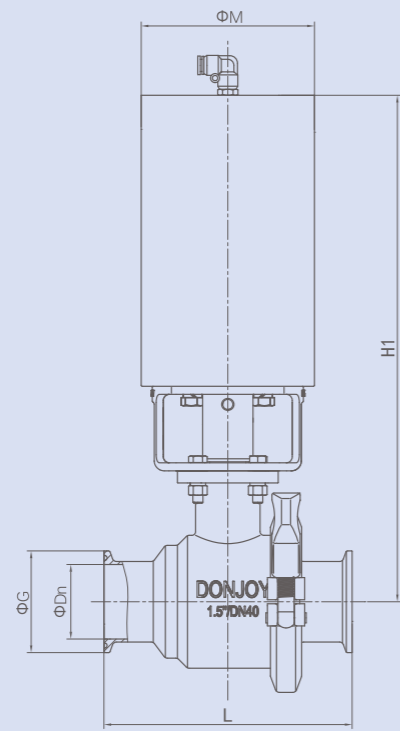


INCH						
SIZE	D	Dn	G	L	M	H1
0.5"	12.7	9.4	25	95	86	232
0.75"	19	16	25	95	86	232
1"	25.4	22.4	50.5	100	86	242
1.25"	31.8	28.8	50.5	108	86	249
1.5"	38.1	35.1	50.5	123	86	252
2"	50.8	47.8	64	136	113	333
2.5"	63.5	59.5	77.5	150	113	346
3"	76.2	72.2	91	172	133	400
4"	101.6	97.6	119	206	166	442

注意：以上数据图相关尺寸不作为实物最终依据，东正保留对于数据更新权限不再另行通知。  
Note: The relevant dimensions of the above data diagrams are not regarded as the final basis of the actual object. Dongzheng reserves the right to update the data without further notice.

# 球阀 Ball valve

2016款不锈钢气动直通球阀数据图



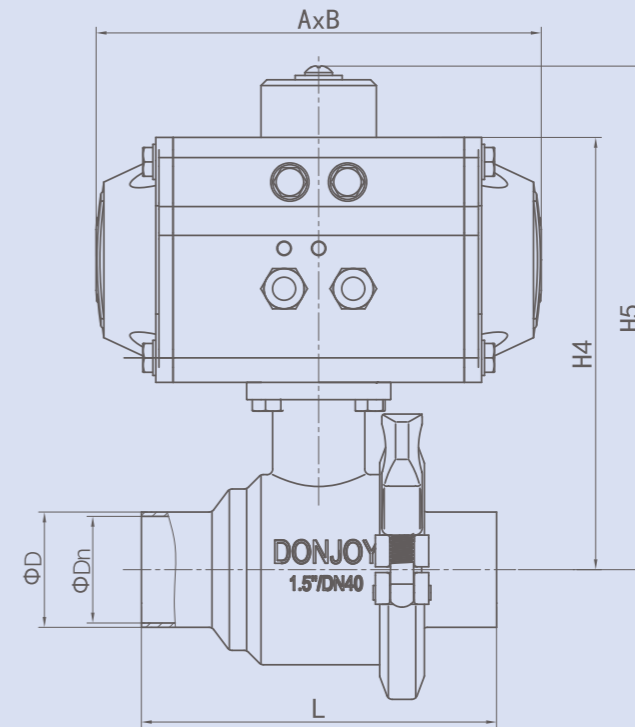
卡箍式

INCH

SIZE	D	Dn	G	L	M	H1
DN10	13	9.7	34	95	86	232
DN15	19	16	34	95	86	232
DN20	22	19	34	95	86	232
DN25	28	25	50.5	100	86	242
DN32	34	31	50.5	108	86	249
DN40	40	37	50.5	123	86	252
DN50	52	49	64	136	113	333
DN65	70	66	91	162	113	346
DN80	85	81	106	180	133	406
DN100	104	100	119	206	166	442

注意：以上数据图相关尺寸不作为实物最终依据，东正保留对于数据更新权限不再另行通知。  
Note: The relevant dimensions of the above data diagrams are not regarded as the final basis of the actual object. Dongzheng reserves the right to update the data without further notice.

2016款卧式气动直通球阀数据图



焊接式

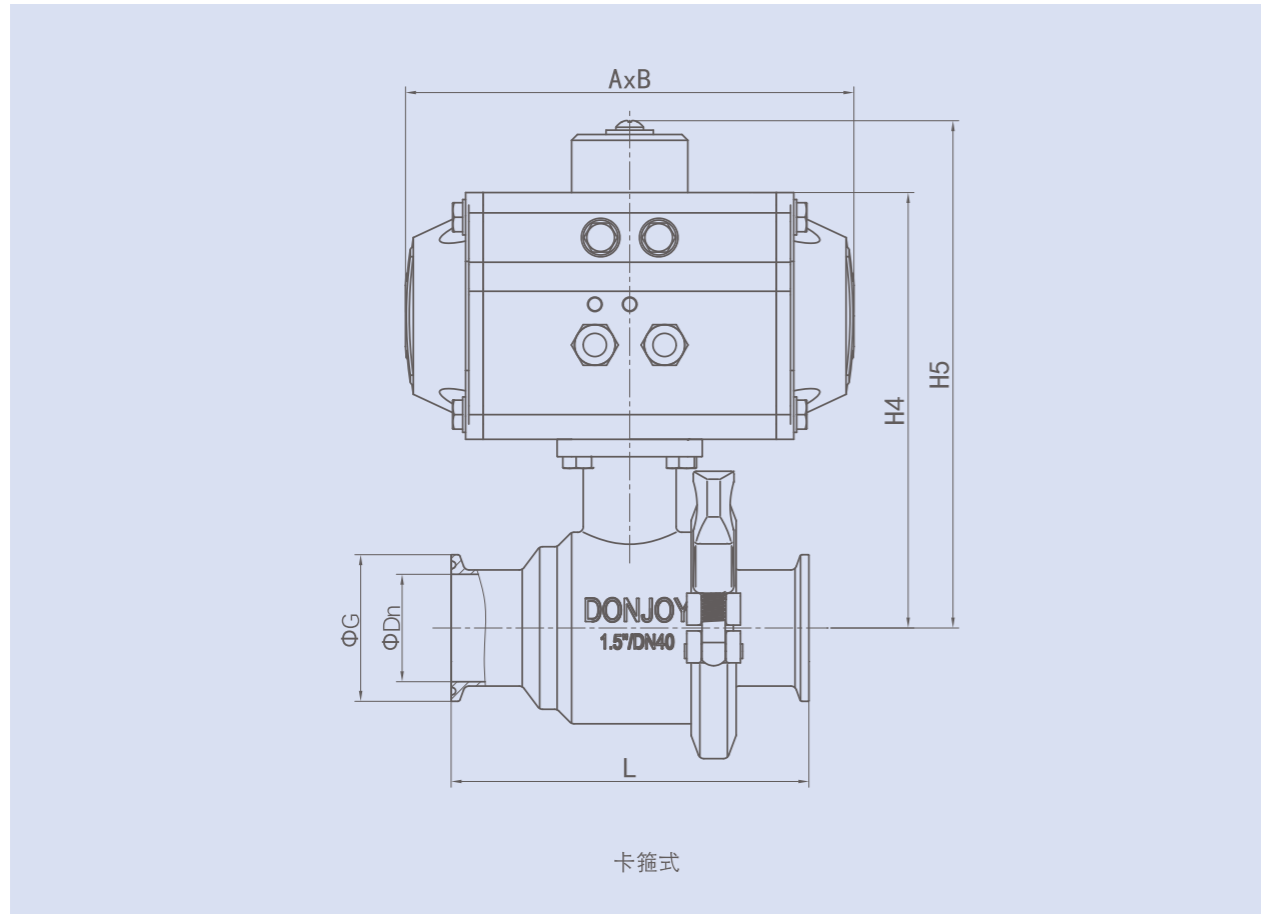
Inch

SIZE	D	Dn	G	L	单作用				双作用			
					执行器	AxB	H4	H5	执行器	AxB	H4	H5
0.5"	12.7	9.4	25.4	95	DJ052-S	154X77	119	144	DJ052-D	154X77	119	144
0.75"	19	16	25.4	95	DJ052-S	154X77	119	144	DJ052-D	154X77	119	144
1"	25.4	22.4	50.5	100	DJ052-S	154X77	129	154	DJ052-D	154X77	129	154
1.25"	31.8	28.8	50.5	108	DJ063-S	173X90	150	175	DJ052-D	154X77	136	161
1.5"	38.1	35.1	50.5	123	DJ075-S	190X102	165	190	DJ063-D	173X90	153	178
2"	50.8	47.8	64	136	DJ075-S	190X102	181.5	206.5	DJ063-D	173X90	169.5	194.5
2.5"	63.5	59.5	77.5	150	DJ083-S	208X111	204	229	DJ075-D	190X102	195	220
3"	76.2	72.2	91	172	DJ105-S	282X134	247	272	DJ083-D	208X111	221	246
4"	101.6	97.6	119	206	DJ125-S	312X175	288.5	315.5	DJ092-D	254X121	253.5	278.5

注意：以上数据图相关尺寸不作为实物最终依据，东正保留对于数据更新权限不再另行通知。  
Note: The relevant dimensions of the above data diagrams are not regarded as the final basis of the actual object. Dongzheng reserves the right to update the data without further notice.

# 球阀 Ball valve

2016款卧式气动直通球阀数据图

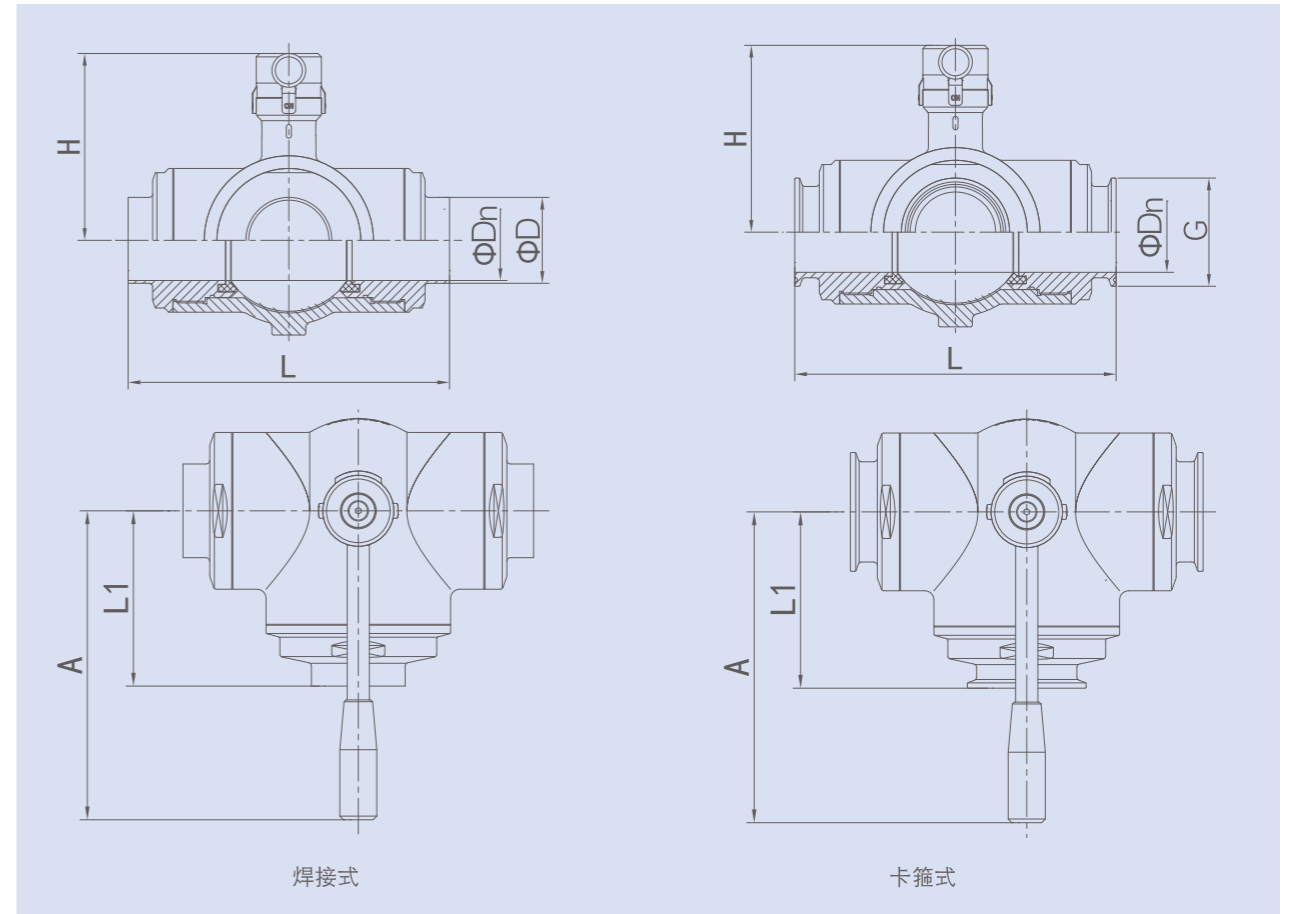


DIN

SIZE	D	Dn	G	L	单作用				双作用			
					执行器	AxB	H4	H5	执行器	AxB	H4	H5
DN10	13	9.7	34	95	DJ052-S	154X77	119	144	DJ052-D	154X77	119	144
DN15	19	16	34	95	DJ052-S	154X77	119	144	DJ052-D	154X77	119	144
DN20	22	19	34	95	DJ052-S	154X77	119	144	DJ052-D	154X77	119	144
DN25	28	25	50.5	100	DJ052-S	154X77	129	154	DJ052-D	154X77	129	154
DN32	34	31	50.5	108	DJ063-S	173X90	150	175	DJ052-D	154X77	136	161
DN40	40	37	50.5	123	DJ075-S	190X102	165	190	DJ063-D	173X90	153	178
DN50	52	49	64	136	DJ075-S	190X102	181.5	206.5	DJ063-D	173X90	169.5	194.5
DN65	70	66	91	162	DJ092-S	254X121	217	242	DJ083-D	208X111	206	231
DN80	85	81	106	180	DJ105-S	282X134	251	276	DJ092-D	254X121	238	263
DN100	104	100	119	206	DJ125-S	312X175	288.5	314	DJ092-D	254X121	253.5	278.5

注意：以上数据图相关尺寸不作为实物最终依据，东正保留对于数据更新权限不再另行通知。  
Note: The relevant dimensions of the above data diagrams are not regarded as the final basis of the actual object. Dongzheng reserves the right to update the data without further notice.

手动三通球阀-2023款外形尺寸图



INCH

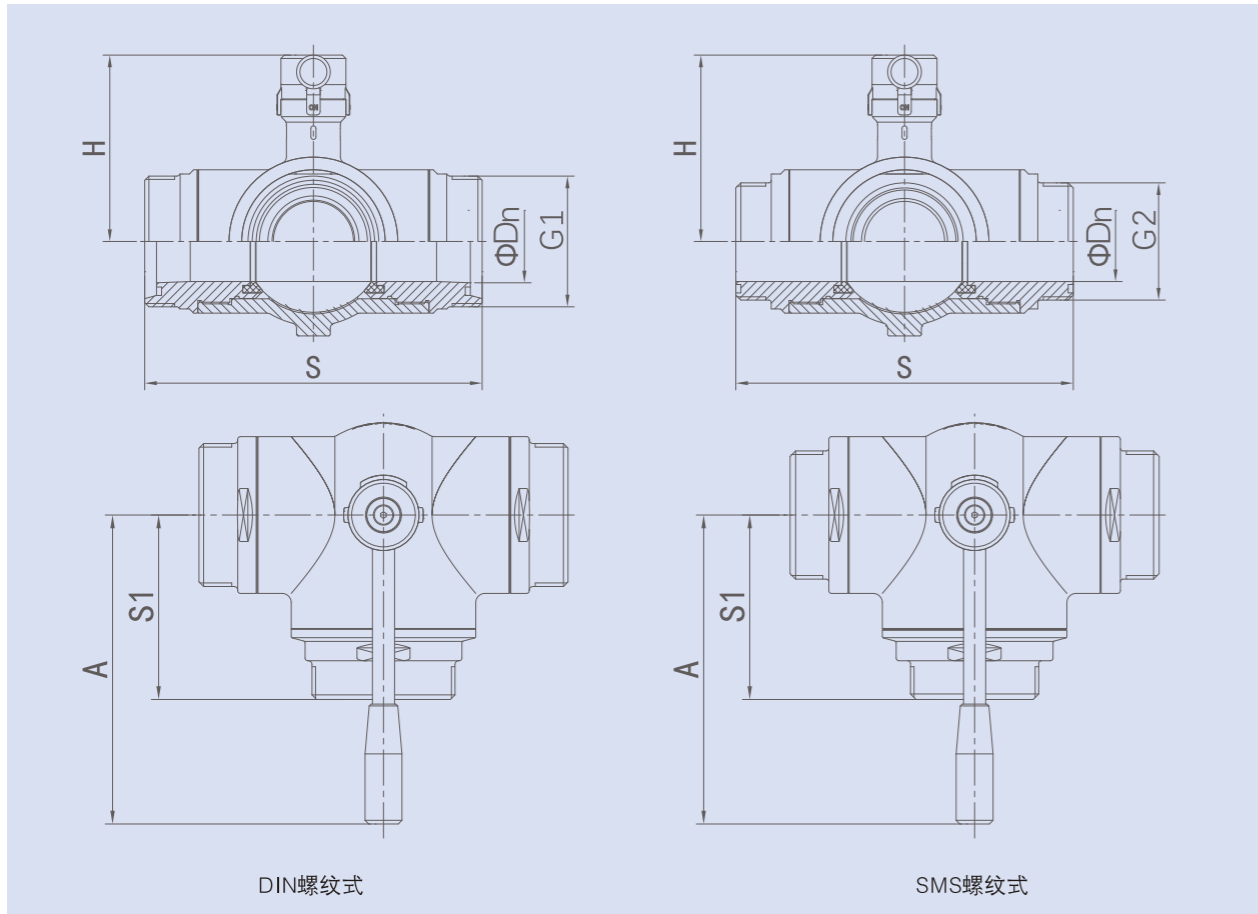
SIZE	ΦD	ΦDn	H	A	卡箍式、焊接式			螺纹式		
					G	L	L1	G2(SMS)	A	B
0.5"	12.7	9.4	76	90	25	110	55	/	/	/
0.75"	19	15.8	76	90	25	110	55	Rd35.5x1/8	124	62
1"	25.4	22.4	82	90	50.5	136	68	Rd39.5x1/6	148	74
1.25"	31.8	28.8	88	90	50.5	142	72	Rd47.5x1/6	155	77.5
1.5"	38.1	35.1	94.5	167.5	50.5	160	80	Rd59.5x1/6	172	86
2"	50.8	47.8	110.5	167.5	64	190	95	Rd69.5x1/6	200	100
2.5"	63.5	59.5	129.5	177.8	77.5	214	107	Rd84.5x1/6	220	110
3"	76.2	72.2	148.5	197.8	91	246	123	Rd97.3x1/6	252	126
4"	101.6	97.4	179.5	300	119	294	147	Rd124.3x1/4	300	150

注意：以上数据图相关尺寸不作为实物最终依据，东正保留对于数据更新权限不再另行通知。  
Note: The relevant dimensions of the above data diagrams are not regarded as the final basis of the actual object. Dongzheng reserves the right to update the data without further notice.

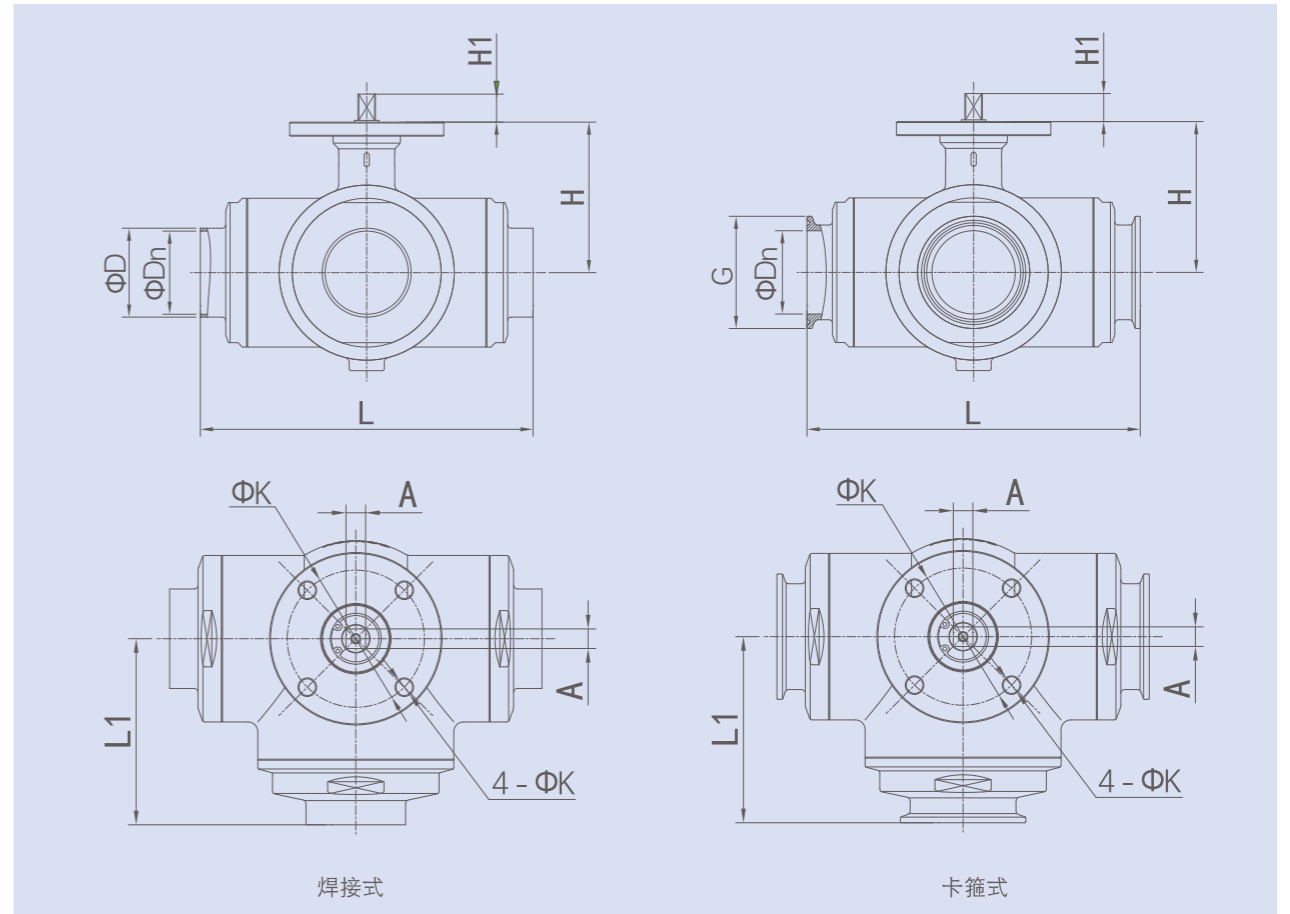


# 球阀 Ball valve

手动三通球阀-2023款外形尺寸图



气动三通球阀-2023款（不带执行器）外形尺寸图



SIZE

SIZE	$\phi D$	$\phi D_n$	H	A	卡箍式、焊接式			螺纹式		
					G	L	L1	G1(DIN)	S	S1
DN10	13	9.4	76	90	34	110	55	Rd27.5x1/8	124	62
DN15	19	15.8	76	90	34	110	55	Rd33.5x1/8	124	62
DN20	22	19	76	90	34	110	55	/	/	/
DN25	28	25	82	90	50.5	136	68	Rd51.5x1/6	148	74
DN32	34	31	88	90	50.5	142	72	Rd57.5x1/6	155	77.5
DN40	40	37	94.5	167.5	50.5	160	80	Rd64.5x1/6	172	86
DN50	52	49	110.5	167.5	64	190	95	Rd77.5x1/6	200	100
DN65	70	66	131.5	197.8	91	226	112	Rd94.3x1/6	232	116
DN80	85	81	163	300	106	256	128	Rd109.3x1/4	266	133
DN100	104	100	179.5	300	119	294	147	Rd129.3x1/4	300	150

INCH

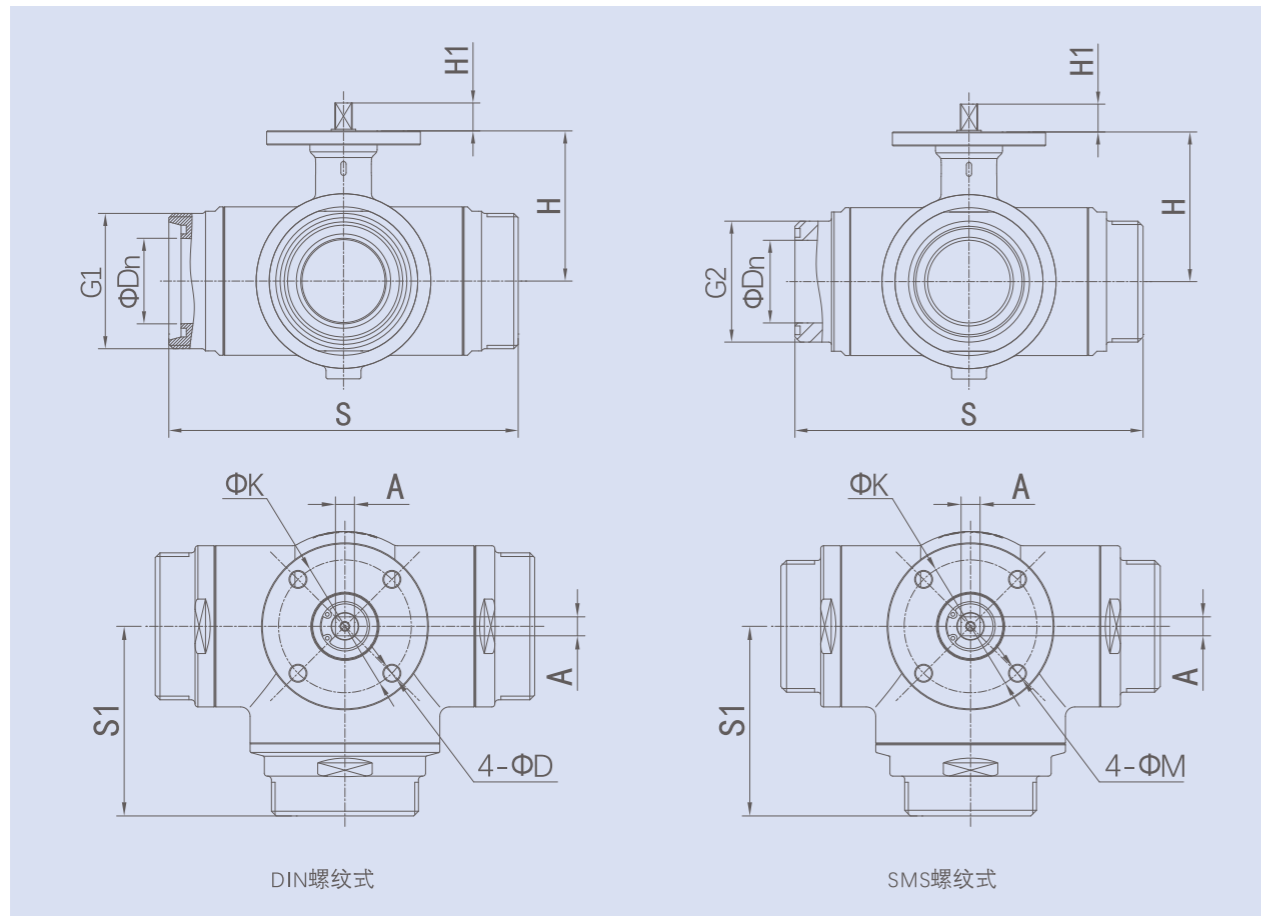
SIZE	$\phi D$	$\phi D_n$	H	H1	AXA	$\phi K$	$\phi M$	卡箍式、焊接式			螺纹式		
								G	L	L1	G2(SMS)	S	S1
0.5"	12.7	9.4	54.5	13	8X8	50	6.5	25	110	55	/	/	/
0.75"	19	15.8	54.5	13	8X8	50	6.5	25	110	55	Rd35.5x1/8	124	62
1"	25.4	22.4	60.5	13	8X8	50	6.5	50.5	136	68	Rd39.5x1/6	148	74
1.25"	31.8	28.8	66	13.5	8X8	50	6.5	50.5	142	72	Rd47.5x1/6	155	77.5
1.5"	38.1	35.1	70.5	15	10X10	50	6.5	50.5	160	80	Rd59.5x1/6	172	86
2"	50.8	47.5	86	16	10X10	70	8.5	64	190	95	Rd69.5x1/6	200	100
2.5"	63.5	59.5	100	20	14X14	70	8.5	77.5	214	107	Rd84.5x1/6	220	110
3"	76.2	72.2	119	20	14X14	70	8.5	91	246	123	Rd97.3x1/6	252	126
4"	101.6	97.4	142	19.5	17X17	70/102	8.5/11	119	294	147	Rd124.3x1/4	300	150

注意：以上数据图相关尺寸不作为实物最终依据，东正保留对于数据更新权限不再另行通知。  
Note: The relevant dimensions of the above data diagrams are not regarded as the final basis of the actual object. Dongzheng reserves the right to update the data without further notice.

注意：以上数据图相关尺寸不作为实物最终依据，东正保留对于数据更新权限不再另行通知。  
Note: The relevant dimensions of the above data diagrams are not regarded as the final basis of the actual object. Dongzheng reserves the right to update the data without further notice.

# 球阀 Ball valve

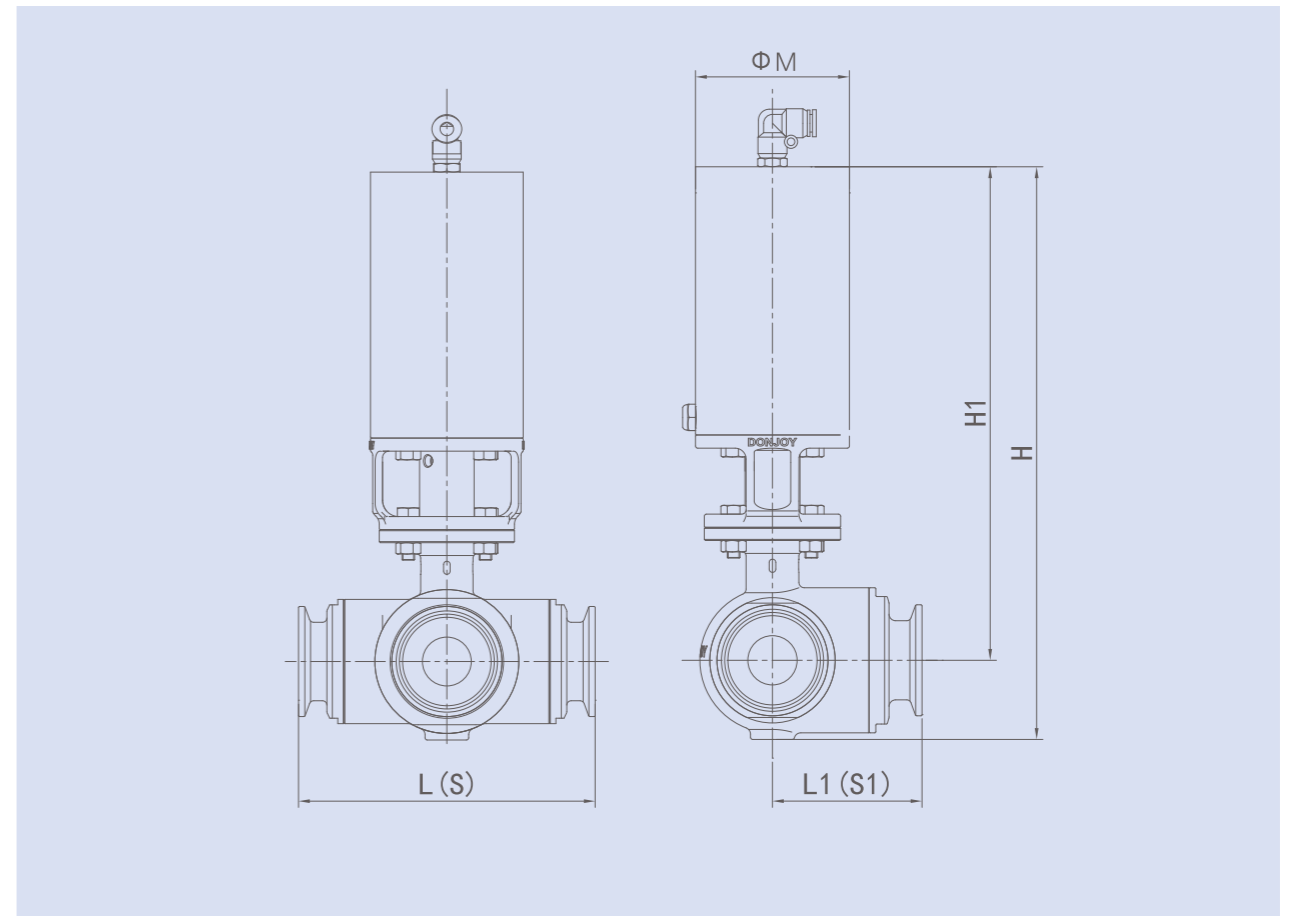
气动三通球阀-2023款（不带执行器）外形尺寸图



DIN													
SIZE	φD	φDn	H	H1	AXA	φK	φM	卡箍式、焊接式			螺纹式		
								G	L	L1	G2(SMS)	S	S1
DN10	13	9.4	54.5	13	8X8	50	6.5	34	110	55	Rd27.5x1/8	124	62
DN15	19	15.8	54.5	13	8X8	50	6.5	34	110	55	Rd33.5x1/8	124	62
DN20	22	19	54.5	13	8X8	50	6.5	34	110	55	/	/	/
DN25	28	25	60.5	13	8X8	50	6.5	50.5	136	68	Rd51.5x1/6	148	74
DN32	34	31	66	13.5	8X8	50	6.5	50.5	142	72	Rd57.5x1/6	155	77.5
DN40	40	37	70.5	15	10X10	50	6.5	50.5	160	80	Rd64.5x1/6	172	86
DN50	52	49	86	16	10X10	70	8.5	64	190	95	Rd77.5x1/6	200	100
DN65	70	66	102	20	14X14	70	8.5	91	226	112	Rd94.5x1/6	232	116
DN80	85	81	125.5	19.5	17X17	70/102	8.5/11	106	256	128	Rd109.3x1/4	266	133
DN100	104	100	142	19.5	17X17	70/102	8.5/11	119	294	147	Rd129.3x1/4	300	150

注意：以上数据图相关尺寸不作为实物最终依据，东正保留对于数据更新权限不再另行通知。  
Note: The relevant dimensions of the above data diagrams are not regarded as the final basis of the actual object. Dongzheng reserves the right to update the data without further notice.

不锈钢气动三通球阀-2023款外形尺寸图

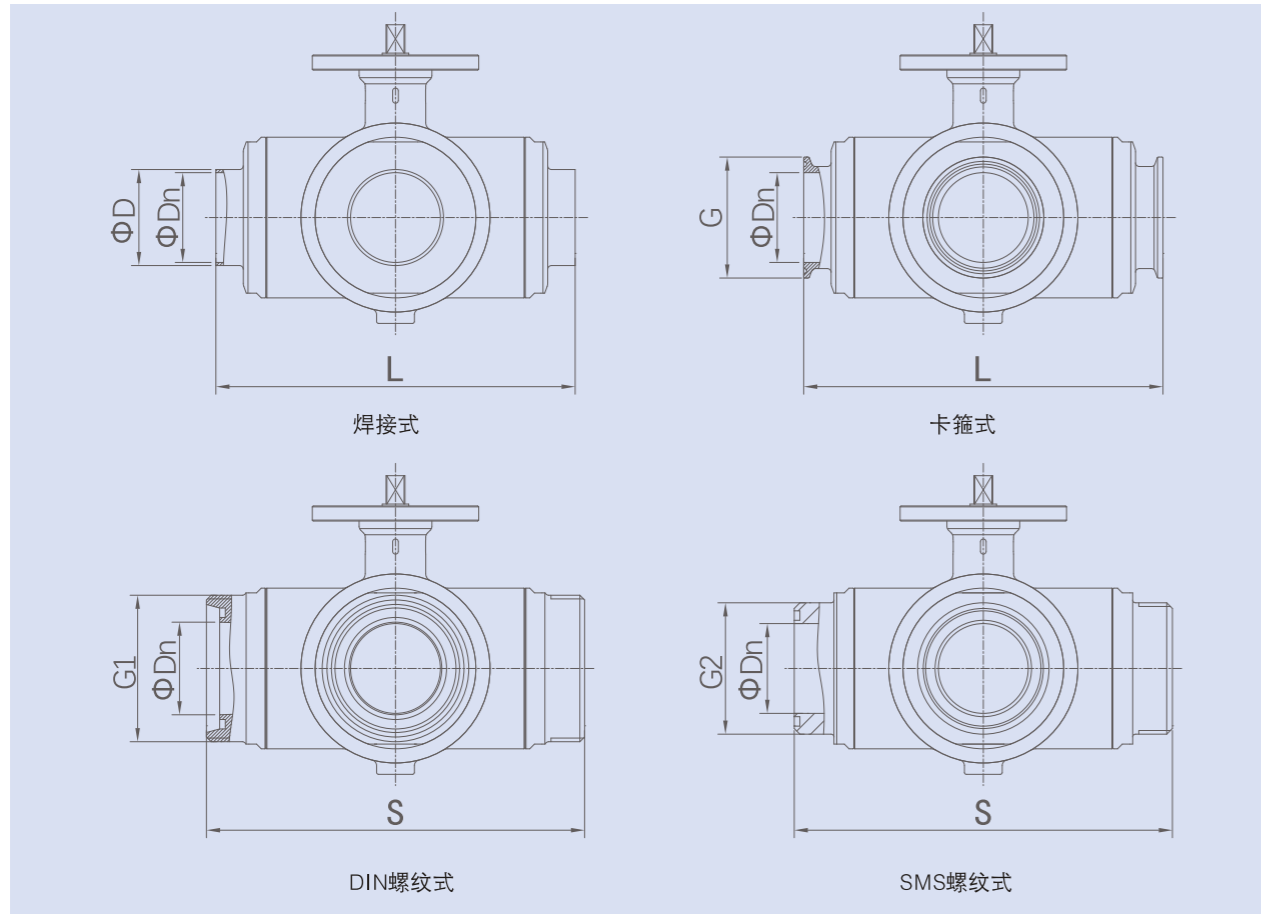


INCH											
SIZE	φD	φDn	φM	H	H1	卡箍式、焊接式			螺纹式		
						G	L	L1	G2(SMS)	S	S1
0.5"	12.7	9.4	70	246.5	218.5	25	110	55	/	/	/
0.75"	19	15.8	70	246.5	218.5	25	110	55	Rd35.5x1/8	124	62
1"	25.4	22.4	70	260.5	224.5	50.5	136	68	Rd39.5x1/6	148	74
1.25"	31.8	28.8	86	292.5	252.5	50.5	142	72	Rd47.5x1/6	155	77.5
1.5"	38.1	35.1	86	302	257	50.5	160	80	Rd59.5x1/6	172	86
2"	50.8	47.5	113	392.8	337	64	190	95	Rd69.5x1/6	200	100
2.5"	63.5	59.5	113	413.8	351	77.5	214	107	Rd84.5x1/6	220	110
3"	76.2	72.2	133	485.5	407	91	246	123	Rd97.3x1/6	252	126
4"	101.6	97.4	166	548	450	119	294	147	Rd124.3x1/4	300	150

注意：以上数据图相关尺寸不作为实物最终依据，东正保留对于数据更新权限不再另行通知。  
Note: The relevant dimensions of the above data diagrams are not regarded as the final basis of the actual object. Dongzheng reserves the right to update the data without further notice.

# 球阀 Ball valve

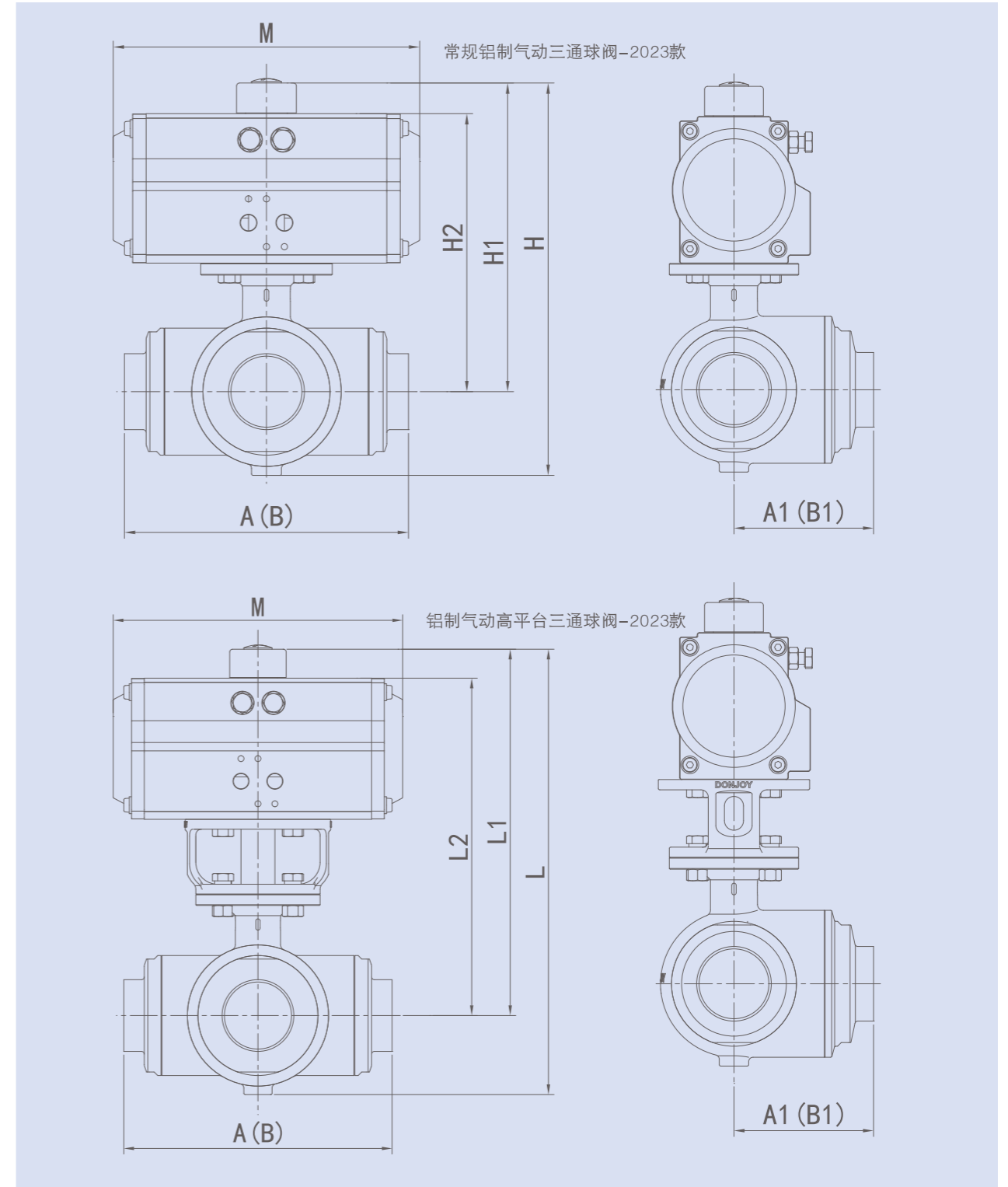
不锈钢气动三通球阀-2023款外形尺寸图



DIN											
SIZE	ΦD	ΦDn	ΦM	H	H1	卡箍式、焊接式			螺纹式		
						G	L	L1	G1(DIN)	S	S1
DN10	13	9.4	70	246.5	218.5	34	110	55	Rd27.5x1/8	124	62
DN15	19	15.8	70	246.5	218.5	34	110	55	Rd33.5x1/8	124	62
DN20	22	19	70	246.5	218.5	34	110	55	/	/	/
DN25	28	25	70	260.5	224.5	50.5	136	68	Rd51.5x1/6	148	74
DN32	34	31	86	292.5	252.5	50.5	142	72	Rd57.5x1/6	155	77.5
DN40	40	37	86	302	257	50.5	160	80	Rd64.5x1/6	172	86
DN50	52	49	113	392.8	337	64	190	95	Rd77.5x1/6	200	100
DN65	70	66	113	420.8	353	91	226	112	Rd94.5x1/6	232	116
DN80	85	81	166	517.5	433.5	106	256	128	Rd109.3x1/4	266	133
DN100	104	100	166	548	450	119	294	147	Rd129.3x1/4	300	150

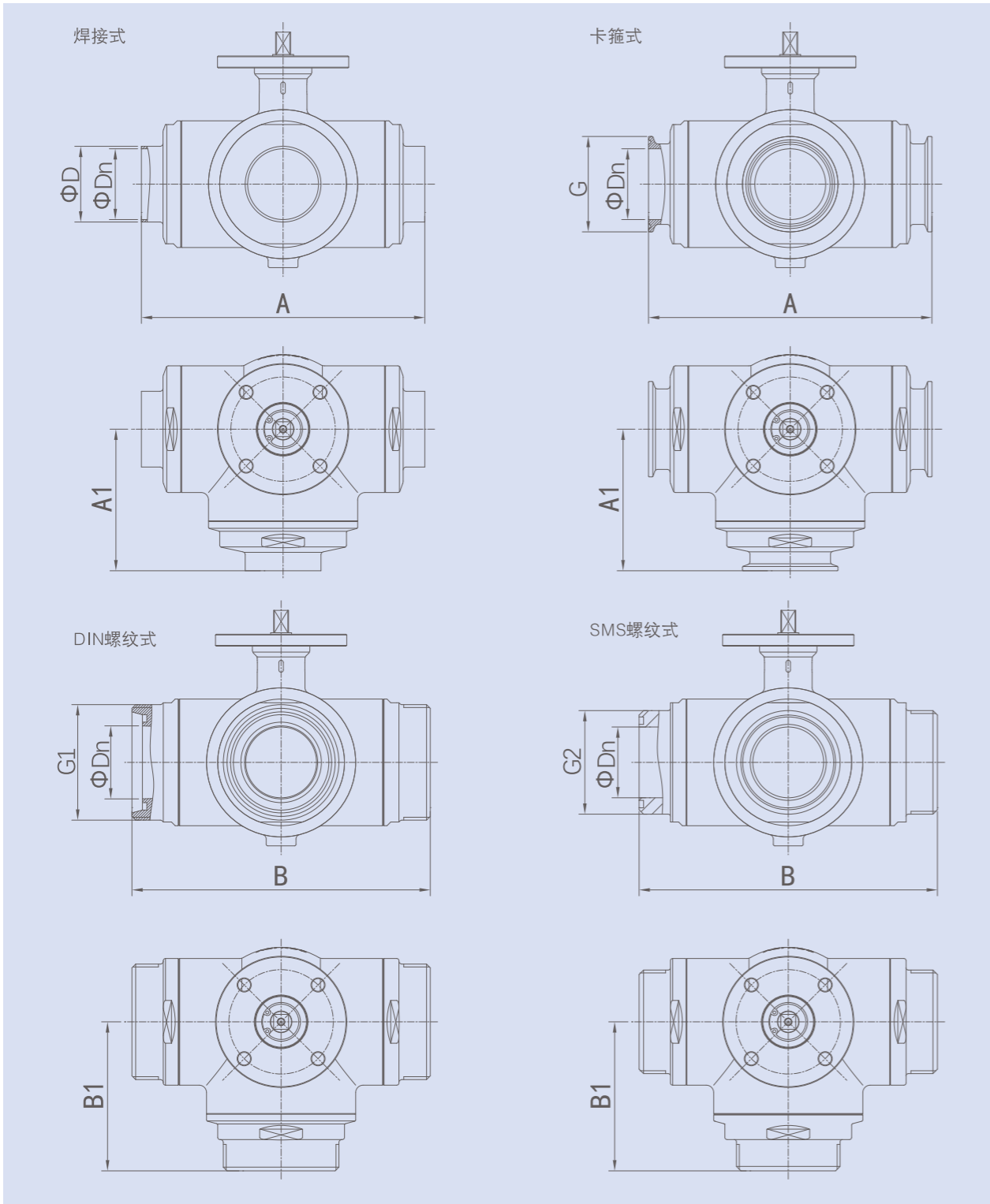
注意：以上数据图相关尺寸不作为实物最终依据，东正保留对于数据更新权限不再另行通知。  
 Note: The relevant dimensions of the above data diagrams are not regarded as the final basis of the actual object. Dongzheng reserves the right to update the data without further notice.

卧式气动三通球阀-2023款外形尺寸图



# 球阀 Ball valve

卧式气动三通球阀-2023款外形尺寸图



卧式气动三通球阀-2023款外形尺寸图

卧式气动三通球阀-INCH

SIZE	单作用卧式气缸						
	M(单)	H(单)	H1(单)	H2(单)	L(单)	L1(单)	L2(单)
0.5"	173	195.5	167.5	142.5	239	209.5	184.5
0.75"	173	195.5	167.5	142.5	239	209.5	184.5
1"	173	209.5	173.5	148.5	251.5	215.5	190.5
1.25"	190	232.5	191	166	273	233	208
1.5"	208	249.5	204.5	179.5	291.5	246.5	221.5
2"	254	287	231	206	340	284	259
2.5"	282	323	260	235	376	313	288
3"	312	379	301	274	432	354	327
4"	380	445	347	320	498	400	373

卧式气动三通球阀-INCH

SIZE	双作用卧式气缸						
	M(双)	H(双)	H1(双)	H2(双)	L(双)	L1(双)	L2(双)
0.5"	173	195.5	167.5	142.5	239	209.5	184.5
0.75"	173	195.5	167.5	142.5	239	209.5	184.5
1"	173	209.5	173.5	148.5	251.5	215.5	190.5
1.25"	173	220.5	179	154	261	221	196
1.5"	190	240.5	195.5	170.5	282.5	237.5	212.5
2"	190	267	211	186	320	264	239
2.5"	208	297	234	209	350	287	262
3"	282	357	279	254	410	332	307
4"	312	422	324	297	475	377	350

卧式气动三通球阀-INCH

SIZE	卡箍式、焊接式			螺纹式		
	G	A	A1	G2(SMS)	B	B1
0.5"	25	110	55	/	/	/
0.75"	25	110	55	Rd35.5x1/8	124	62
1"	50.5	136	68	Rd39.5x1/6	148	74
1.25"	50.5	142	72	Rd47.5x1/6	155	77.5
1.5"	50.5	160	80	Rd59.5x1/6	172	86
2"	64	190	95	Rd69.5x1/6	200	100
2.5"	77.5	214	107	Rd84.5x1/6	220	110
3"	91	246	123	Rd97.3x1/6	252	126
4"	119	294	147	Rd124.3x1/4	300	150

# 球阀 Ball valve

卧式气动三通球阀-2023款外形尺寸图

卧式气动三通球阀-DIN

SIZE	单作用卧式气缸						
	M(单)	H(单)	H1(单)	H2(单)	L(单)	L1(单)	L2(单)
DN10	173	195.5	167.5	142.5	239	209.5	184.5
DN15	173	195.5	167.5	142.5	239	209.5	184.5
DN20	173	195.5	167.5	142.5	239	209.5	184.5
DN25	173	209.5	173.5	148.5	251.5	215.5	190.5
DN32	190	232.5	191	166	273	233	208
DN40	208	249.5	204.5	179.5	291.5	246.5	221.5
DN50	254	287	231	206	340	284	259
DN65	282	330	262	237	383	315	290
DN80	312	391.5	307.5	280.5	444.5	360.5	333.5
DN100	380	445	347	320	498	400	373

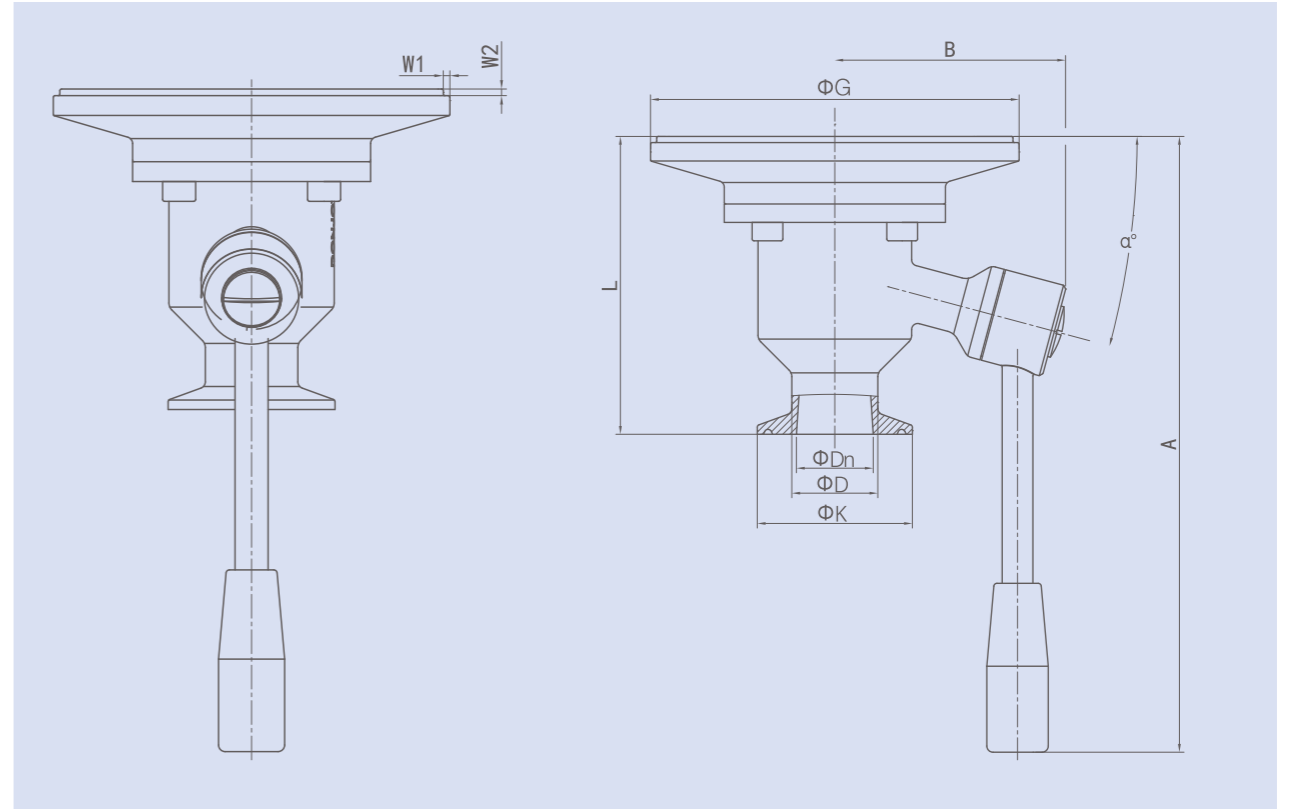
卧式气动三通球阀-DIN

SIZE	双作用卧式气缸						
	M(双)	H(双)	H1(双)	H2(双)	L(双)	L1(双)	L2(双)
DN10	173	195.5	167.5	142.5	239	209.5	184.5
DN15	173	195.5	167.5	142.5	239	209.5	184.5
DN20	173	195.5	167.5	142.5	239	209.5	184.5
DN25	173	209.5	173.5	148.5	251.5	215.5	190.5
DN32	173	220.5	179	154	261	221	196
DN40	190	240.5	195.5	170.5	282.5	237.5	212.5
DN50	190	267	211	186	320	264	239
DN65	208	304	236	211	357	289	264
DN80	282	369.5	285.5	260.5	422.5	338.5	313.5
DN100	312	422	324	297	475	377	350

卧式气动三通球阀-INCH

SIZE	卡箍式、焊接式			螺纹式		
	G	A	A1	G2(SMS)	B	B1
DN10	34	110	55	Rd27.5x1/8	124	62
DN15	34	110	55	Rd33.5x1/8	124	62
DN20	34	110	55	/	/	/
DN25	50.5	136	68	Rd51.5x1/6	148	74
DN32	50.5	142	72	Rd57.5x1/6	155	77.5
DN40	50.5	160	80	Rd64.5x1/6	172	86
DN50	64	190	95	Rd77.5x1/6	200	100
DN65	91	226	112	Rd94.5x1/6	232	116
DN80	106	256	128	Rd109.3x1/4	266	133
DN100	119	294	147	Rd129.3x1/4	300	150

手动倾斜式球阀外形尺寸图



DIN

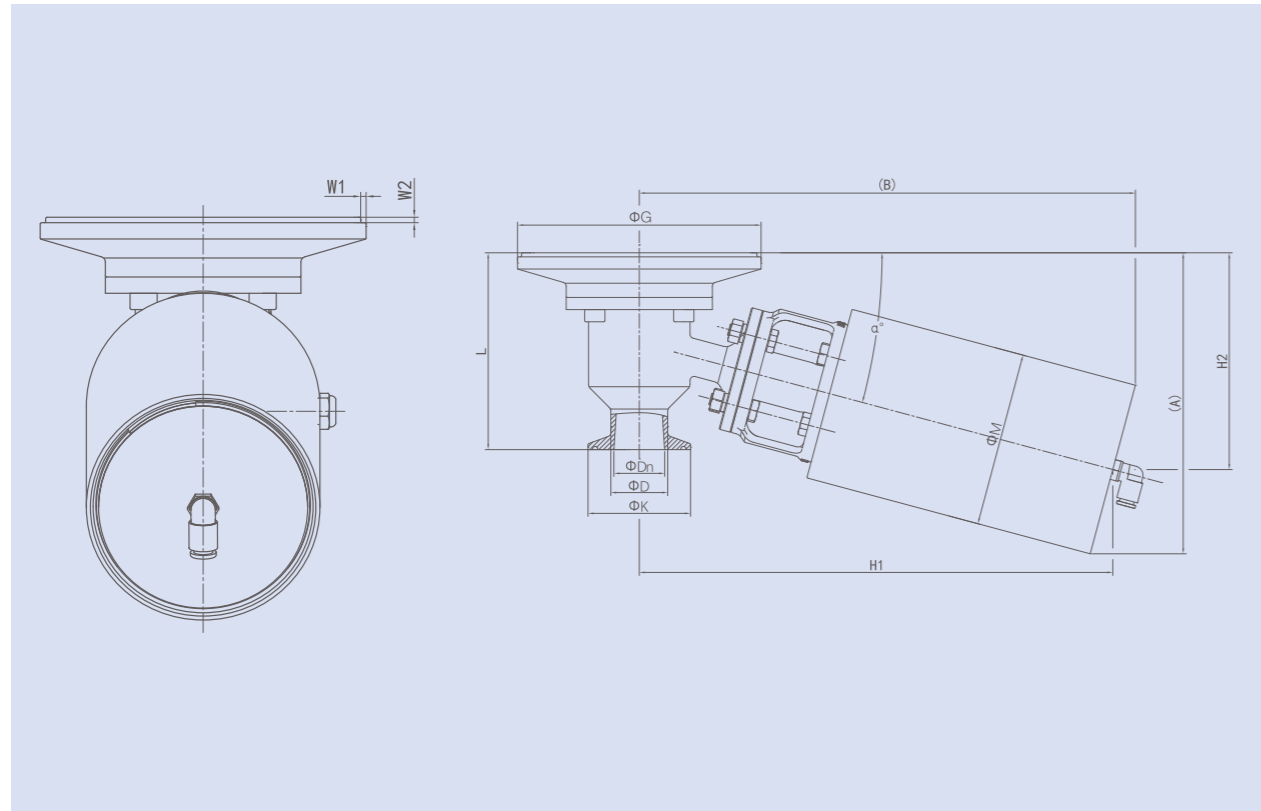
SIZE	Dn	D	K	G	L	α	A	B	W1	W2
DN25	25	28	50.5	120	97	15	200.5	75.1	2	2
DN32	31	34	50.5	120	105	15	238.5	80.9	2	2
DN40	37	40	50.5	140	116	15	234.7	87.8	2	2
DN50	49	52	64	140	130	20	259.6	103	2	2
DN65	66	70	91	180	158	20	305.2	126.5	2	2
DN80	81	85	106	200	170	20	314	142.5	3	3
DN100	100	104	119	238	205	20	386.7	163.3	2	2

INCH

SIZE	Dn	D	K	G	L	α	A	B	W1	W2
1"	22.4	25.4	50.5	120	97	15	200.5	75.1	2	2
1.25"	28.8	31.8	50.5	120	105	15	238.5	80.9	2	2
1.5"	35.1	38.1	50.5	140	116	15	234.7	87.8	2	2
2"	47.8	50.8	64	140	130	20	259.6	103	2	2
2.5"	59.5	63.5	77.5	180	158	20	305.2	126.5	2	2
3"	72.2	76.2	91	200	170	20	314	142.5	3	3
4"	97.6	101.6	119	238	205	20	386.7	163.3	2	2

# 球阀 Ball valve

不锈钢气动倾斜式球阀外形尺寸图



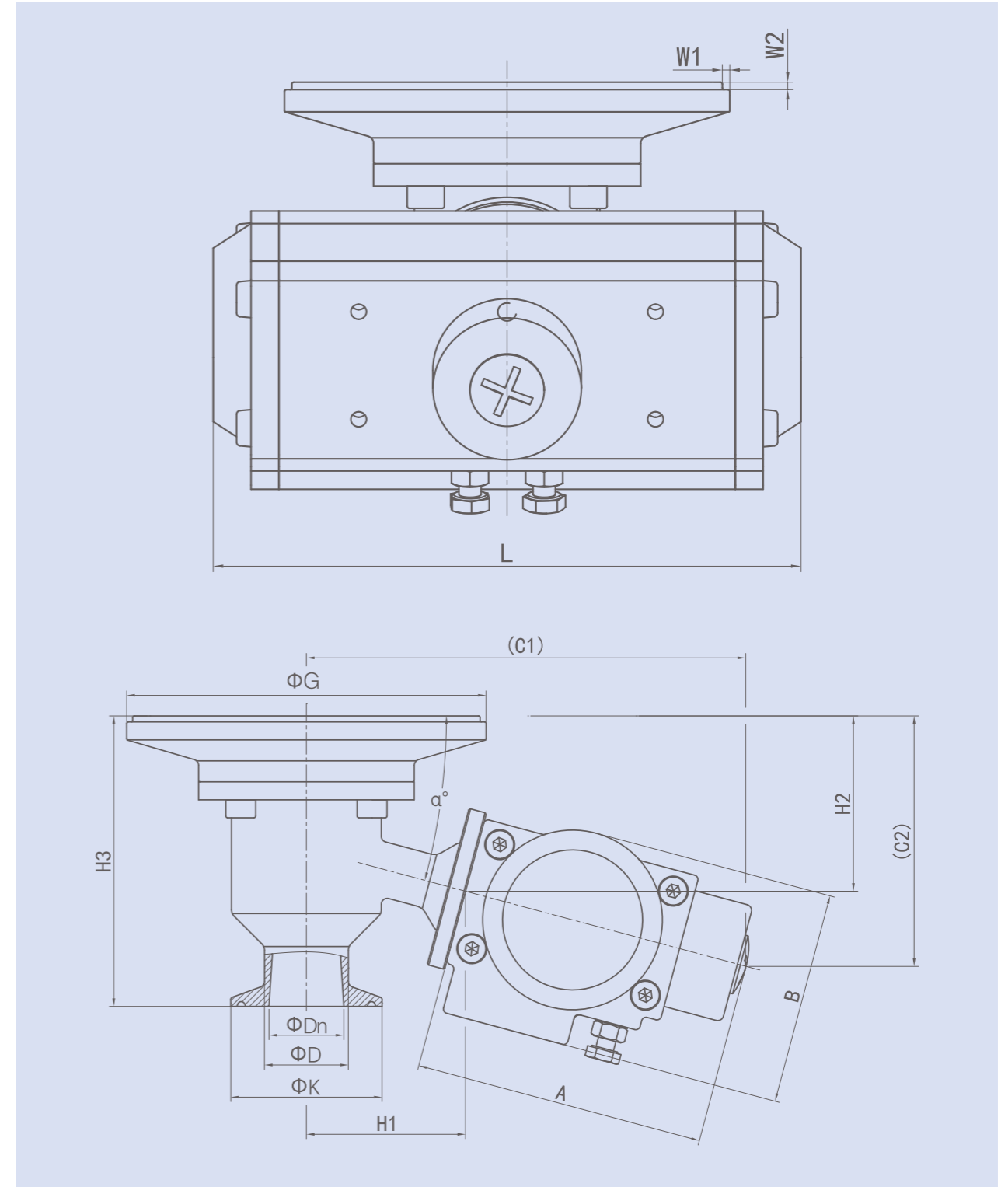
DIN

SIZE	Dn	D	K	G	L	H1	H2	M	$\alpha$	A	B	W1	W2
DN25	25	28	50.5	120	97	233.3	106.8	86	15	148.3	244.4	2	2
DN32	31	34	50.5	120	105	240	113.3	86	15	154.9	251.2	2	2
DN40	37	40	50.5	140	116	242.9	115.8	86	15	157.3	254.1	2	2
DN50	49	52	64	140	130	251.8	147.8	86	20	188.2	266.5	2	2
DN65	66	70	91	180	158	325.2	193.2	113	20	245.7	343.8	2	2
DN80	81	85	106	200	170	376.2	214.9	133	20	278.3	398.4	3	3
DN100	100	104	119	238	205	414.9	244	166	20	322	443.3	2	2

DIN

SIZE	Dn	D	K	G	L	H1	H2	M	$\alpha$	A	B	W1	W2
1"	22.4	25.4	50.5	120	97	233.3	106.8	86	15	148.3	244.4	2	2
1.25"	28.8	31.8	50.5	120	105	240	113.3	86	15	154.9	251.2	2	2
1.5"	35.1	38.1	50.5	140	116	242.9	115.8	86	15	157.3	254.1	2	2
2"	47.8	50.8	64	140	130	251.8	147.8	86	20	188.2	266.5	2	2
2.5"	59.5	63.5	77.5	180	158	325.2	193.2	113	20	245.7	343.8	2	2
3"	72.2	76.2	91	200	170	376.2	214.9	133	20	278.3	398.4	3	3
4"	97.6	101.6	119	238	205	414.9	244	166	20	322	443.3	2	2

铝制气动倾斜式球阀外形尺寸图



# 球阀 Ball valve

铝制气动倾斜式球阀外形尺寸图

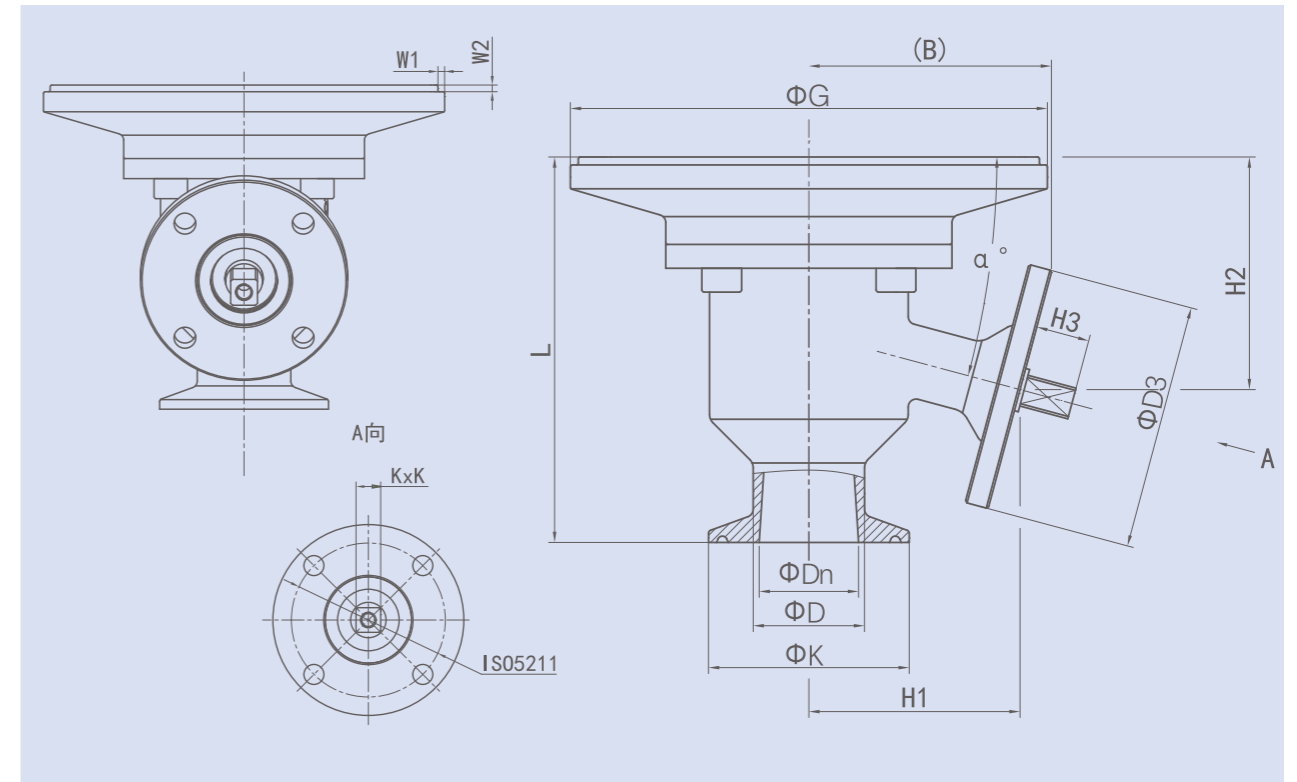
DIN										
SIZE	Dn	D	K	G	H1	H2	H3	$\alpha$	W1	W2
DN25	25	28	50.5	120	53.1	58.5	97	15	2	2
DN32	31	34	50.5	120	59.9	65	105	15	2	2
DN40	37	40	50.5	140	62.8	67.5	116	15	2	2
DN50	49	52	64	140	76.6	84	130	20	2	2
DN65	66	70	91	180	89.3	107.5	158	20	2	2
DN80	81	85	106	200	105.2	116.3	170	20	3	3
DN100	100	104	119	238	125.4	139	205	20	2	2

DIN										
SIZE	单作用					双作用				
	执行器	LXB	A	C1	C2	执行器	LXB	A	C1	C2
DN25	DJ052-S	154X77	99	148.7	84.1	DJ052-D	154X77	99	148.7	84.1
DN32	DJ063-S	173x90	113	169	94.2	DJ052-D	154X77	99	155.5	90.6
DN40	DJ075-S	190x102	125	183.5	99.9	DJ063-D	173x90	113	171.9	96.7
DN50	DJ075-S	190x102	125	194.1	126.8	DJ063-D	173x90	113	182.8	122.6
DN65	DJ092-S	254x121	145	225.6	157.1	DJ083-D	208x111	134	215.2	153.3
DN80	DJ105-S	282x134	160	255.6	171	DJ092-D	254x121	145	241.5	165.9
DN100	DJ125-S	312x175	182	296.4	201.2	DJ092-D	254x121	145	261.7	188.6

INCH										
SIZE	Dn	D	K	G	H1	H2	H3	$\alpha$	W1	W2
1"	22.4	25.4	50.5	120	53.1	58.5	97	15	2	2
1.25"	28.8	31.8	50.5	120	59.9	65	105	15	2	2
1.5"	35.1	38.1	50.5	140	62.8	67.5	116	15	2	2
2"	47.8	50.8	64	140	76.6	84	130	20	2	2
2.5"	59.5	63.5	77.5	180	89.3	107.5	158	20	2	2
3"	72.2	76.2	91	200	105.2	116.3	170	20	3	3
4"	97.6	101.6	119	238	125.4	139	205	20	2	2

INCH										
SIZE	单作用					双作用				
	执行器	LXB	A	C1	C2	执行器	LXB	A	C1	C2
1"	DJ052-S	154X77	99	148.7	84.1	DJ052-D	154X77	99	148.7	84.1
1.25"	DJ063-S	173x90	113	169	94.2	DJ052-D	154X77	99	155.5	90.6
1.5"	DJ075-S	190x102	125	183.5	99.9	DJ063-D	173x90	113	171.9	96.7
2"	DJ075-S	190x102	125	183.5	126.8	DJ063-D	173x90	113	182.8	122.6
2.5"	DJ083-S	208x111	134	215.2	153.3	DJ075-D	190x102	125	206.8	150.3
3"	DJ105-S	282x134	160	255.6	171	DJ083-D	208x111	134	231.1	162.1
4"	DJ125-S	312x175	160	275.8	193.7	DJ092-D	254x121	145	261.7	188.6

法兰倾斜式球阀外形尺寸图

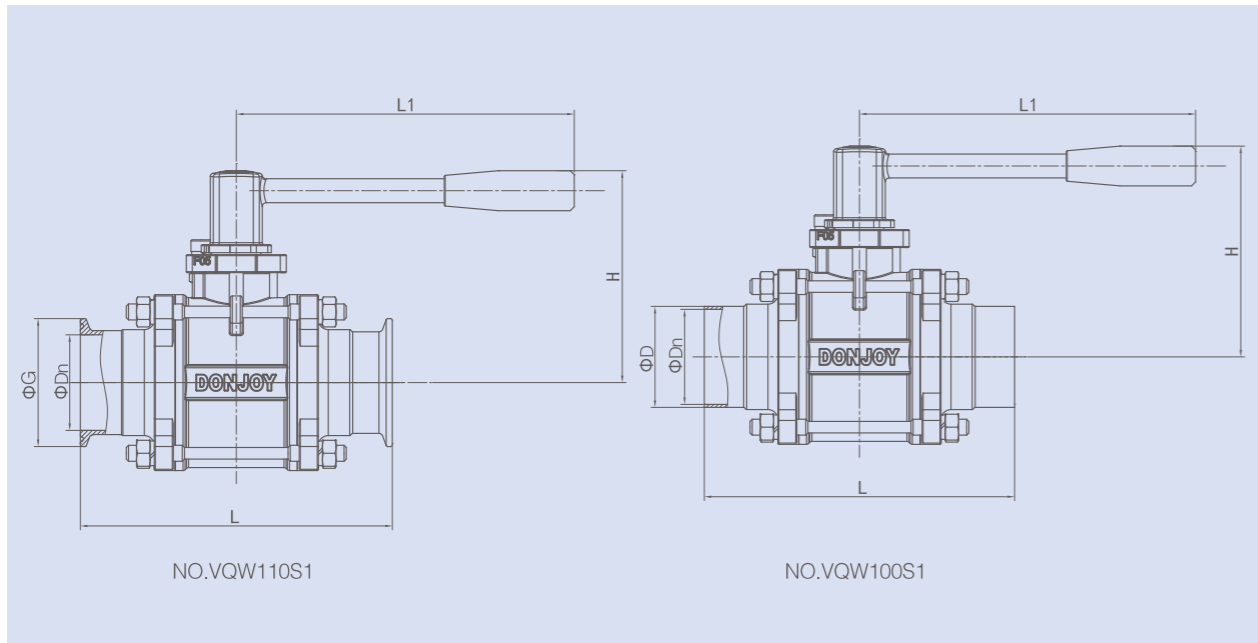


INCH																
SIZE	Dn	D	K	G	L	H1	H2	B	$\alpha$	W1	W2	D3	ISO5211	KXK	H3	
1"	22.4	25.4	50.5	120	97	53.1	58.5	61	15	2	2	54	F04	8X8	13.5	
1.25"	28.8	31.8	50.5	120	105	59.9	65	67.8	15	2	2	62	F04/F05	8X8	14.5	
1.5"	35.1	38.1	50.5	140	116	62.8	67.5	70.7	15	2	2	62	F05	10X10	15.5	
2"	47.8	50.8	64	140	130	76.6	84	87	20	2	2	62	F05	10X10	16	
2.5"	59.5	63.5	77.5	180	158	89.3	107.5	104.1	20	2	2	88	F07	14X14	20	
3"	72.2	76.2	91	200	170	105.2	116.3	118.6	20	3	3	88	F07	14X14	20	
4"	97.6	101.6	119	238	205	125.4	139	146	20	2	2	120	F07/F10	14X14	20	

DIN										
SIZE	Dn	D	K	G	H1	H2	H3	$\alpha$	W1	W2
DN25	25	28	50.5	120	53.1	58.5	97	15	2	2
DN32	31	34	50.5	120	59.9	65	105	15	2	2
DN40	37	40	50.5	140	62.8	67.5	116	15	2	2
DN50	49	52	64	140	76.6	84	130	20	2	2
DN65	66	70	91	180	89.3	107.5	158	20	2	2
DN80	81	85	106	200	105.2	116.3	170	20	3	3
DN100	100	104	119	238	125.4	139	205	20	2	2

# 球阀 Ball valve

三片无滞留球阀外形尺寸图(手动)



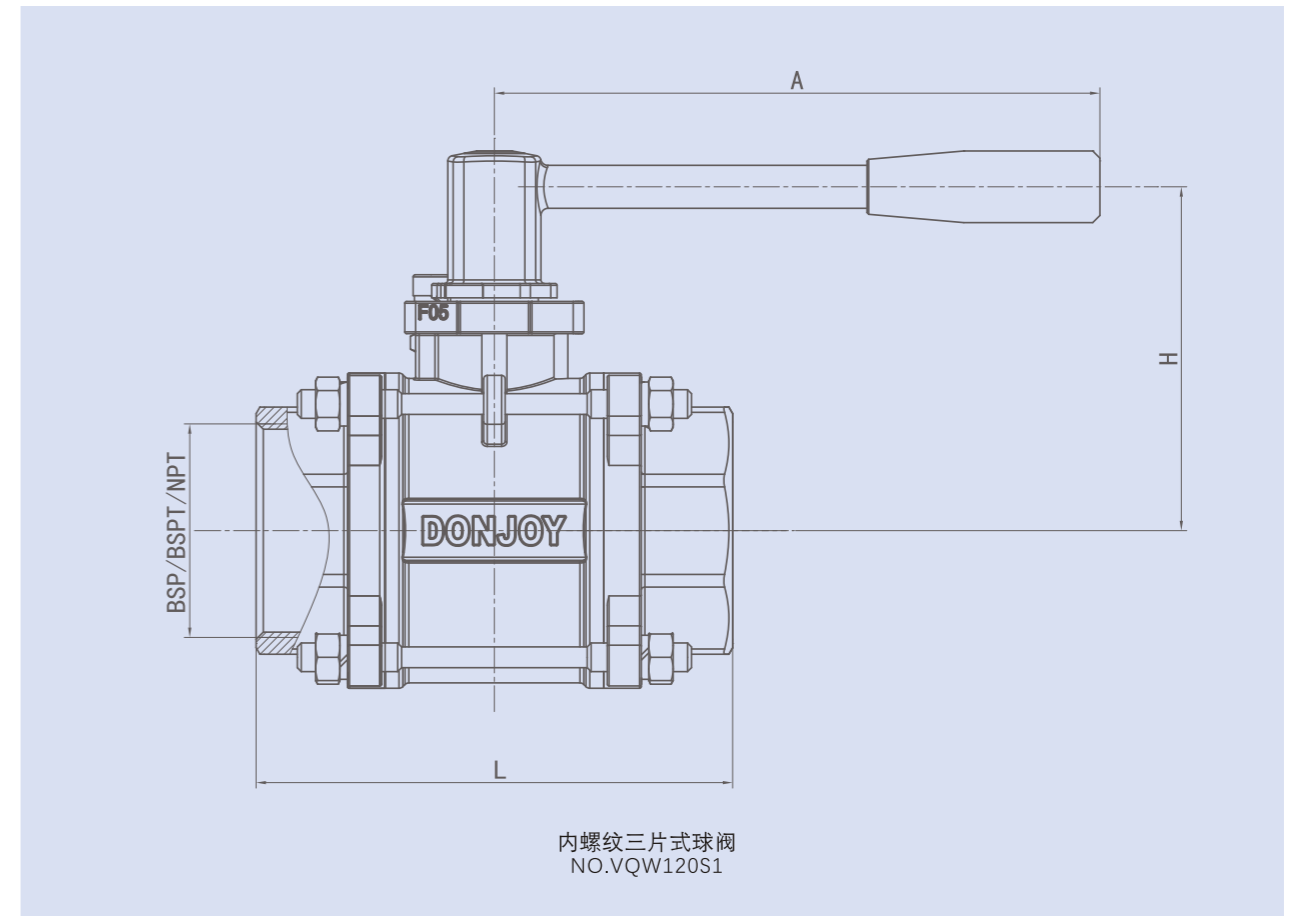
INCH

SIZE	D	Dn	G	L	L1	H
0.5"	12.7	9.7	25.4	89	125	82.5
0.75"	19	16	25.4	89	125	82.5
1"	25.4	22.4	50.5	114	125	86
1.25"	31.8	28.8	50.5	117	125	91
1.5"	38.1	35	50.5	142	168	97.5
2"	50.8	47.8	64	156	168	106
2.5"	63.5	59.5	77.5	197	252	134
3"	76.2	72.2	91	221	252	144
3.5"	89	85	106	229	252	150.5
4"	101.6	97.6	119	241	252	168.5

DIN

SIZE	D	Dn	G	L	L1	H
DN10	12	9	34	89	125.4	82.5
DN15	18	16	34	89	125.4	82.5
DN20	22	19	34	89	125.4	82.5
DN25	28	25	50.5	114	125.4	86
DN32	34	31	50.5	117	125.4	91
DN40	40	37	50.5	142	168	97.5
DN50	52	49	64	156	168	106
DN65	70	66	91	206.5	252	140
DN80	85	81	106	229	252	151
DN100	104	100	119	241	252	169

三片无滞留球阀外形尺寸图 (手动)



INCH

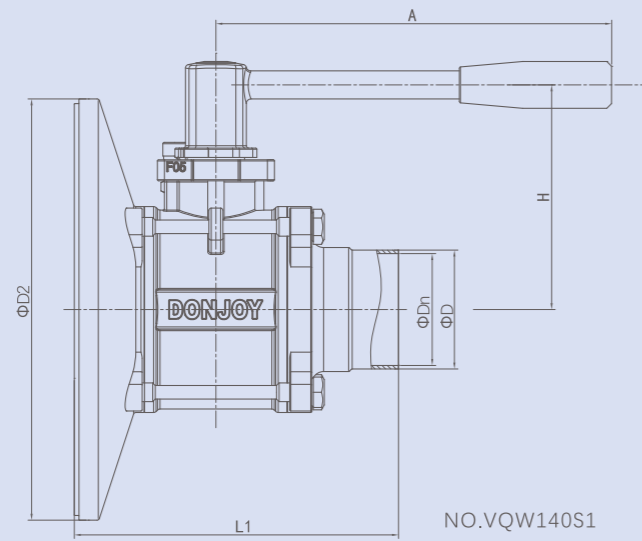
SIZE	IS05211	L	H	A	G	BSTP	NPT
0.5"	F04	79	72.5	126	0.5"	0.5"	0.5"
0.75"	F04	83	72.5	126	0.75"	0.75"	0.75"
1"	F04	90	76	126	1"	1"	1"
1.25"	F04	107	81.5	126	1.25"	1.25"	1.25"
1.5"	F05	114	87.5	168	1.5"	1.5"	1.5"
2"	F05	133	96	168	2"	2"	2"
2.5"	F07	157	121.5	252	2.5"	2.5"	2.5"
3"	F07	179	131.5	252	3"	3"	3"

注意：以上数据图相关尺寸不作为实物最终依据，东正保留对于数据更新权限不再另行通知。  
Note: The relevant dimensions of the above data diagrams are not regarded as the final basis of the actual object. Dongzheng reserves the right to update the data without further notice.



# 球阀 Ball valve

三片无滞留球阀外形尺寸图(手动)



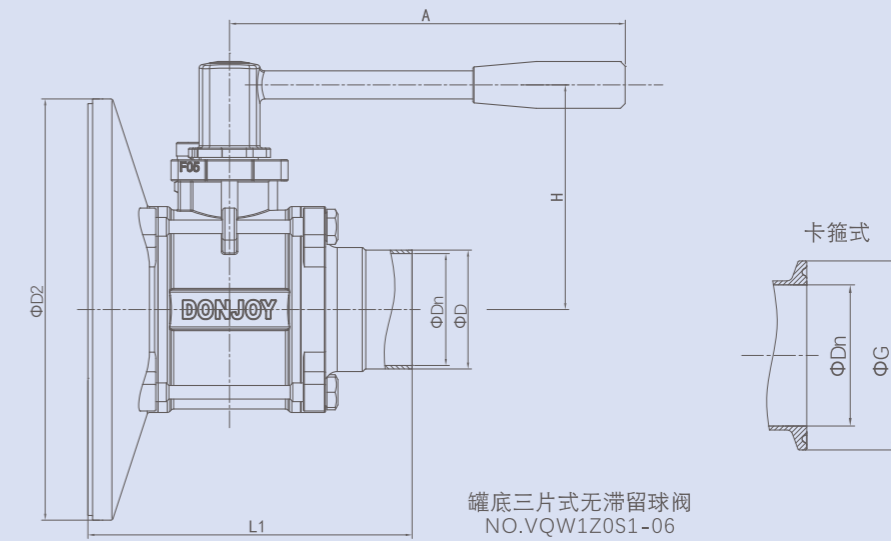
## DIN

SIZE	φDn	φDK	φK	n-φd	L	H	A	ISO5211
DN15	15	95	65	4-14	111	72.5	126	F04
DN20	19	105	75	4-14	115	72.5	126	F04
DN25	25	115	85	4-14	140	76	126	F04
DN32	31	140	100	4-18	147	81.5	126	F04
DN40	37	150	110	4-18	176	87.5	168	F05
DN50	49	165	125	4-18	186	96	168	F05
DN65	66	185	145	4-18	240.5	113.5	252	F07
DN80	81	200	160	8-18	267	138	252	F07
DN100	100	220	180	8-18	279	156	252	F10

## INCH

SIZE	φDn	φDK	φK	n-φd	L	H	A	ISO5211
0.5"	9.7	95	65	4-14	111	72.5	126	F04
0.75"	16.1	105	75	4-14	115	72.5	126	F04
1"	22.4	115	85	4-14	140	76	126	F04
1.25"	28.8	140	100	4-18	147	81.5	126	F04
1.5"	35.1	150	110	4-18	176	87.5	168	F05
2"	47.8	165	125	4-18	186	96	168	F05
2.5"	59.5	185	145	4-18	240.5	121.5	252	F07
3"	72.2	185	145	4-18	254.5	131.5	252	F07
3.5"	85	200	160	8-18	267	138	252	F07
4"	97.6	220	180	8-18	279	156	252	F10

三片无滞留球阀外形尺寸图 (手动)



## INCH

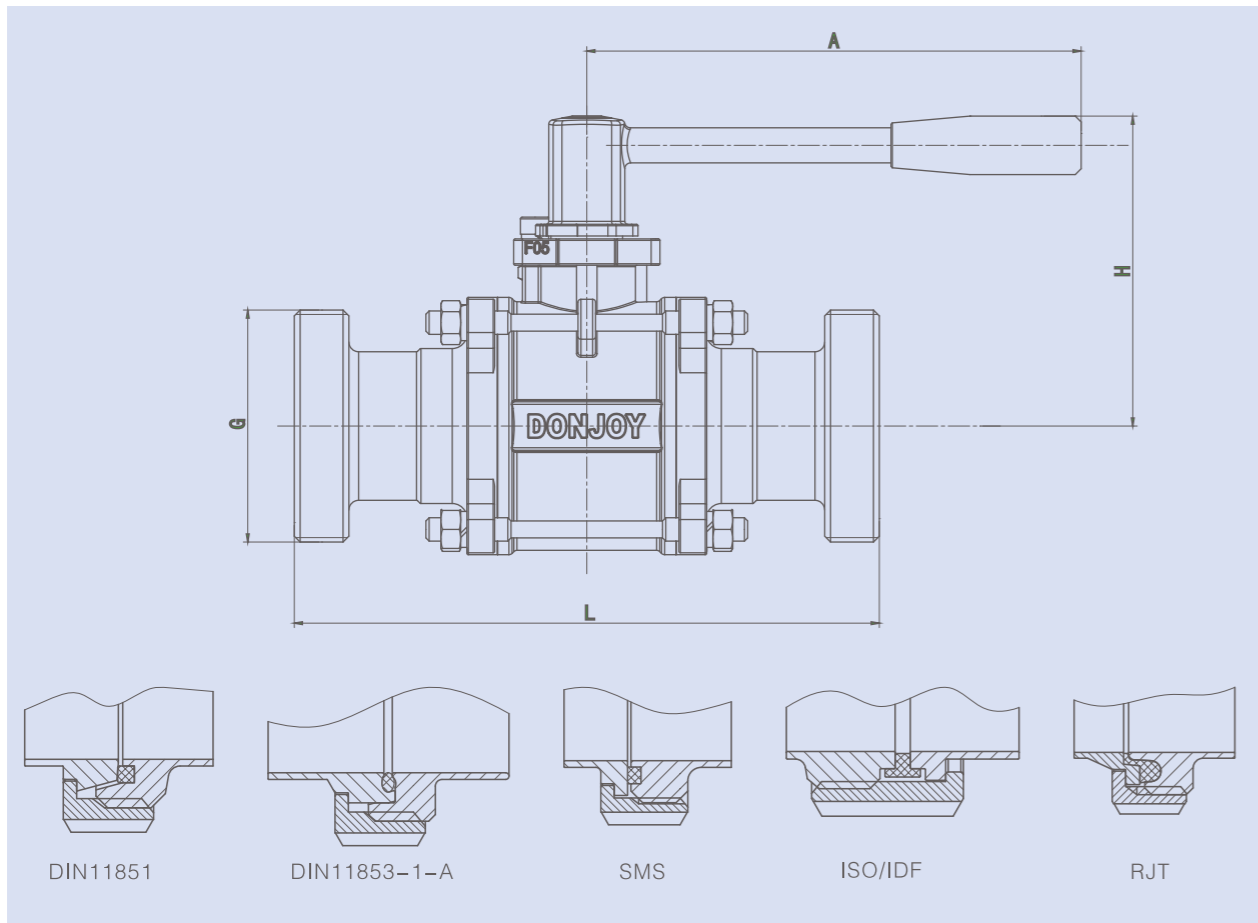
SIZE	φDn	φD	φD2	L1	H	A	G	ISO5211
0.5"	9.7	12.7	120	96	72.5	125	25	F04
0.75"	16	19	120	96	72.5	125	25	F04
1"	22.4	25.4	120	110	76	125	50.5	F04
1.5"	35.1	38.1	140	121	89	168	50.5	F05
2"	47.8	50.8	140	134	97	168	64	F05
2.5"	59.5	63.5	180	164	121.5	252	77.5	F07
3"	72.2	76.2	200	184	133	252	91	F07
3.5"	85	89	200	192	139	252	106	F07
4"	97.6	101.6	238	215	156	252	119	F10

## DIN

SIZE	φDn	φD	φD2	L1	G	H	A	ISO5211
DN10	9	12	120	96	34	72.5	125	F04
DN15	16	18	120	96	34	72.5	125	F04
DN20	19	22	120	96	34	72.5	125	F04
DN25	25	28	120	110	50.5	76	125	F04
DN40	37	40	140	121	50.5	89	168	F05
DN50	49	52	140	134	64	97	168	F05
DN65	66	70	180	172.5	91	127.5	252	F07
DN80	81	85	200	192	106	139	252	F07
DN100	100	104	238	215	119	156	252	F10

# 球阀 Ball valve

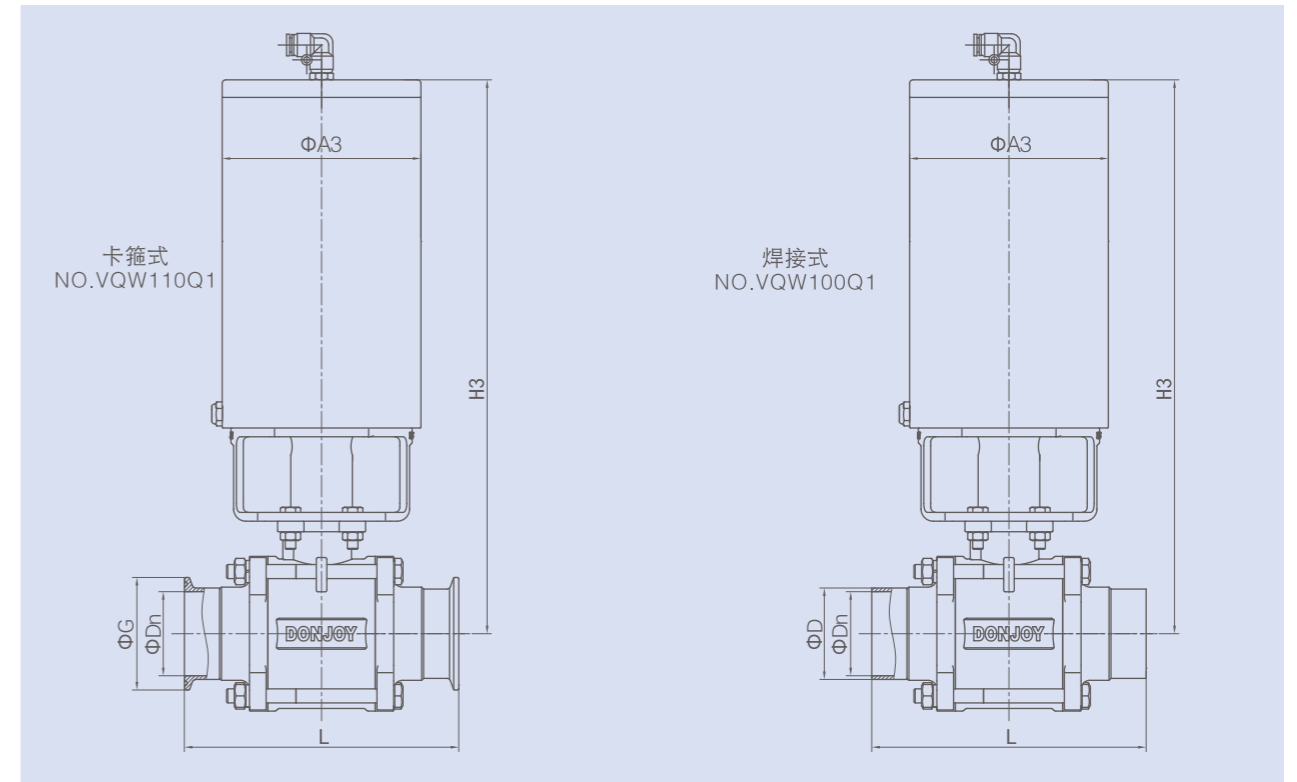
三片无滞留球阀外形尺寸图(手动)



三片无滞留球阀外形尺寸图(手动)															
SIZE	A	H	DIN11853-1		SMS		ISO/IDF		RJT		SIZE	A	H	螺纹式	
			L	G	L	G	L	G(ACME)	L	G(WHT)					
0.5"	125	82.5	127	Rd28x1/8	/	/	/	/	/	/	DN10	125.4	82.5	123	Rd28x1/8
0.75"	125	82.5	127	Rd34x1/8	/	/	/	/	/	/	DN15	125.4	82.5	123	Rd34x1/8
1"	125	86	166	Rd52x1/6	152	Rd40x1/6	157	37.13x1/8	157	45.7x1/8	DN20	125.4	82.5	127	Rd44x1/6
1.25"	125	91	/	/	153	Rd48x1/6	/	/	/	/	DN25	125.4	86	154	Rd52x1/6
1.5"	168	97.5	204	Rd65x1/6	182	Rd60x1/6	185	50.65x1/8	185	58.4x1/8	DN32	125.4	91	157	Rd58x1/6
2"	168	106	218	Rd78x1/6	196	Rd70x1/6	199	64.16x1/8	199	72.7x1/8	DN40	168	97.5	182	Rd65x1/6
2.5"	252	134	269	Rd95x1/6	245	Rd85x1/6	240	77.7x1/8	240	85.4x1/8	DN50	168	106	198	Rd78x1/6
3"	252	144	305	Rd110x1/4	271	Rd98x1/6	264	91.2x1/8	264	98.1x1/8	DN65	252	140	252.5	Rd95x1/6
3.5"	252	150.5	/	/	281	Rd105x1/6	/	/	/	/	DN80	252	151	279	Rd110x1/4
4"	252	168.5	241	Rd130x1/4	295	Rd132x1/6	284	118.4x1/8	284	123.5x1/6	DN100	252	169	297	Rd130x1/4
						Rd125x1/4		125.9x1/6							

注意：以上数据图相关尺寸不作为实物最终依据，东正保留对于数据更新权限不再另行通知。  
Note: The relevant dimensions of the above data diagrams are not regarded as the final basis of the actual object. Dongzheng reserves the right to update the data without further notice.

三片无滞留球阀外形尺寸图(不锈钢气动)

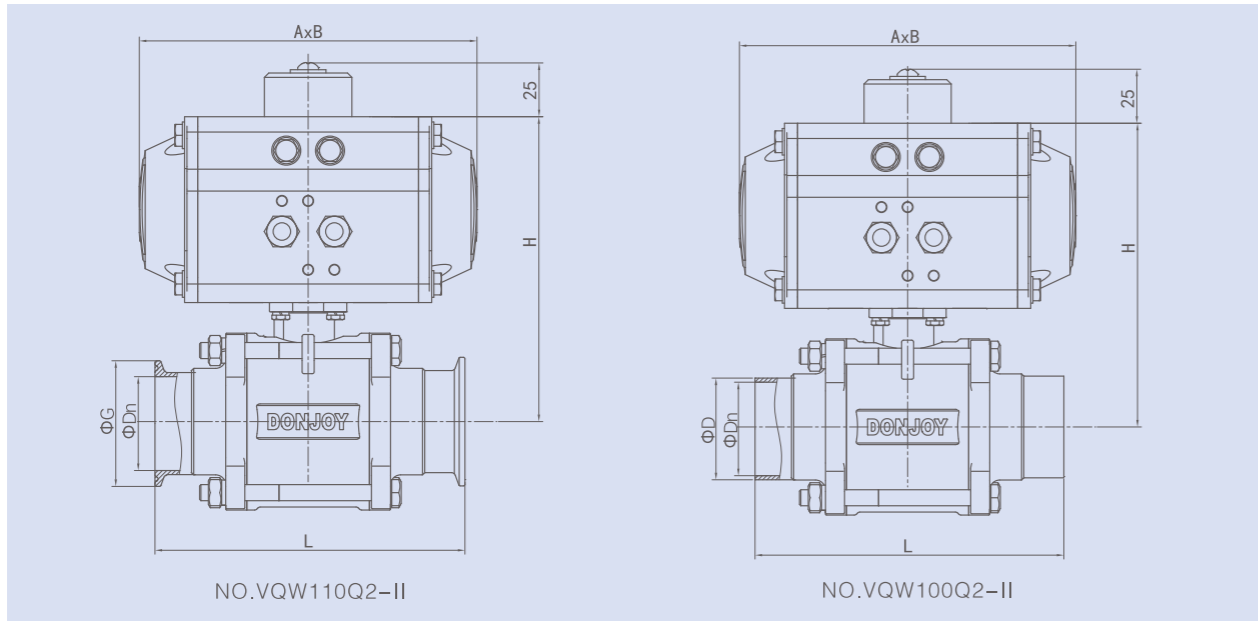


INCH							DIN								
SIZE	D	Dn	G	L	A3	H3	备注	SIZE	D	Dn	G	L	A3	H3	备注
0.5"	12.7	9.7	25.4	89	70	204.5	配70执行器	DN10	12	9	34	89	70	204.5	配70执行器
					85	227	配70执行器						85	227	配70执行器
0.75"	19	16	25.4	89	70	204.5	配70执行器	DN15	18	16	34	89	70	204.5	配70执行器
					85	227	配70执行器						85	227	配70执行器
1"	25.4	22.4	50.5	114	70	208	配70执行器	DN20	22	19	34	89	70	204.5	配70执行器
					85	230.5	配70执行器						85	227	配70执行器
1.25"	31.8	28.8	50.5	117	85	235.5		DN25	28	25	50.5	114	70	208	配70执行器
1.5"	38.1	35	50.5	142	85	242.5							85	230.5	配70执行器
2"	50.8	47.8	64	156	114	315		DN32	34	31	50.5	117	85	235.5	
2.5"	63.5	59.5	77.5	197	114	332		DN40	40	37	50.5	142	85	242.5	
3"	76.2	72.2	91	221	133	380		DN50	52	49	64	156	114	315	
3.5"	89	85	106	229	133	386		DN65	70	66	91	206.5	114	338	
4"	101.6	97.6	119	241	168	423		DN80	85	81	106	229	133	386	
								DN100	104	100	119	241	168	423	

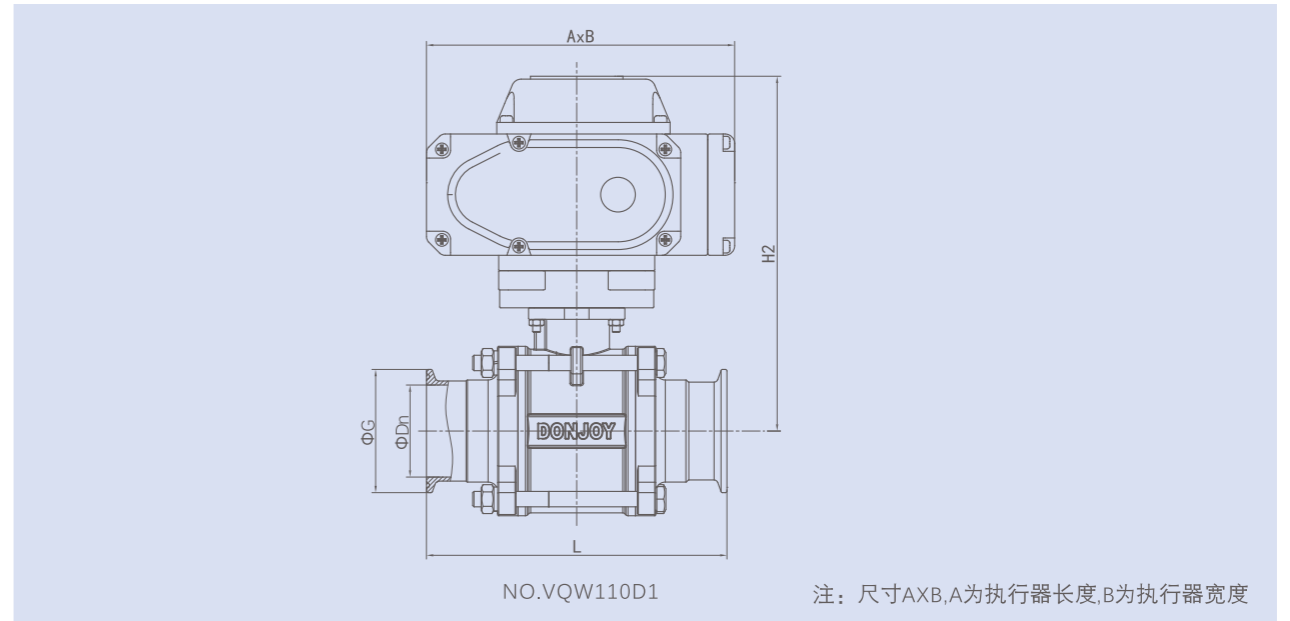
注意：以上数据图相关尺寸不作为实物最终依据，东正保留对于数据更新权限不再另行通知。  
Note: The relevant dimensions of the above data diagrams are not regarded as the final basis of the actual object. Dongzheng reserves the right to update the data without further notice.

# 球阀 Ball valve

三片无滞留球阀外形尺寸图(卧式气动)



三片无滞留球阀外形尺寸图(电动)



INCH										
SIZE	D	Dn	G	L	单作用			双作用		
					型号	AXB	H	型号	AXB	H
0.5"	12.7	9.7	25.4	89	DJ052-S	154X77	114.5	DJ052-D	154X77	114.5
0.75"	19	16	25.4	89	DJ052-S	154X77	114.5	DJ052-D	154X77	114.5
1"	25.4	22.4	50.5	114	DJ063-S	173X90	132	DJ052-D	154X77	118
1.25"	31.8	28.8	50.5	117	DJ075-S	190X102	149	DJ063-D	173X90	137
1.5"	38.1	35	50.5	142	DJ083-S	208X111	165	DJ063-D	173X90	144
2"	50.8	47.8	64	156	DJ092-S	254X121	184	DJ075-D	190X102	164
2.5"	63.5	59.5	77.5	197	DJ105-S	282X134	216	DJ083-D	208X111	190
3"	76.2	72.2	91	221	DJ125-S	312X155	247	DJ092-D	254X121	212
3.5"	89	85	106	229	DJ125-S	312X155	253	DJ105-D	282X134	233
4"	101.6	97.6	119	241	DJ140-S	380X172	293	DJ125-D	312X155	270

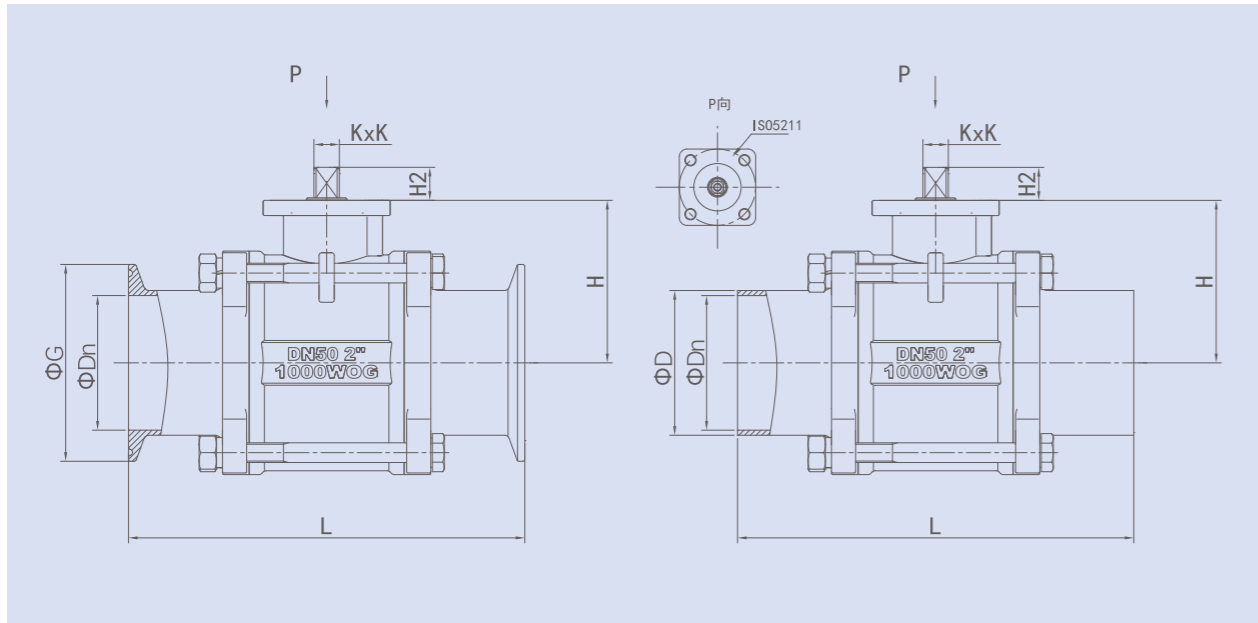
INCH						
SIZE	D	Dn	G	L	AXB	H2
0.5"	12.7	9.7	25.4	89	165X140.5	205.5
0.75"	19	16	25.4	89	165X140.5	205.5
1"	25.4	22.4	50.5	114	165X140.5	209
1.25"	31.8	28.8	50.5	117	165X140.5	214
1.5"	38.1	35	50.5	142	165X140.5	221
2"	50.8	47.8	64	156	165X140.5	229
2.5"	63.5	59.5	77.5	197	165X140.5	246
3"	76.2	72.2	91	221	211.5X154	303.5
3.5"	89	85	106	229	258X186	357
4"	101.6	97.6	119	241	259X186	374

DIN										
SIZE	D	Dn	G	L	单作用			双作用		
					型号	AXB	H	型号	AXB	H
DN10	12	9	34	89	DJ052-S	154X77	114.5	DJ052-D	154X77	114.5
DN15	18	16	34	89	DJ052-S	154X77	114.5	DJ052-D	154X77	114.5
DN20	22	19	34	89	DJ052-S	154X77	114.5	DJ052-D	154X77	114.5
DN25	28	25	50.5	114	DJ063-S	173X90	132	DJ052-D	154X77	118
DN32	34	31	50.5	117	DJ075-S	190X102	149	DJ063-D	173X90	137
DN40	40	37	50.5	142	DJ083-S	208X111	165	DJ063-D	173X90	144
DN50	52	49	64	156	DJ092-S	254X121	184	DJ075-D	190X102	164
DN65	70	66	91	207	DJ105-S	282X134	222	DJ092-D	254X121	207
DN80	85	81	106	229	DJ125-S	312X155	253	DJ105-D	282X134	233
DN100	104	100	119	241	DJ140-S	380X172	293	DJ125-D	312X155	270

DIN						
SIZE	D	Dn	G	L	AXB	H2
DN10	12	9	34	89	165X140.5	205.5
DN15	18	16	34	89	165X140.5	205.5
DN20	22	19	34	89	165X140.5	205.5
DN25	28	25	50.5	114	165X140.5	209
DN32	34	31	50.5	117	165X140.5	214
DN40	40	37	50.5	142	165X140.5	221
DN50	52	49	64	156	165X140.5	229
DN65	70	66	91	206.5	211.5X154	298.5
DN80	85	81	106	229	258X186	357
DN100	104	100	119	241	259X186	374

# 球阀 Ball valve

三片无滞留球阀(不带执行器)外形尺寸图



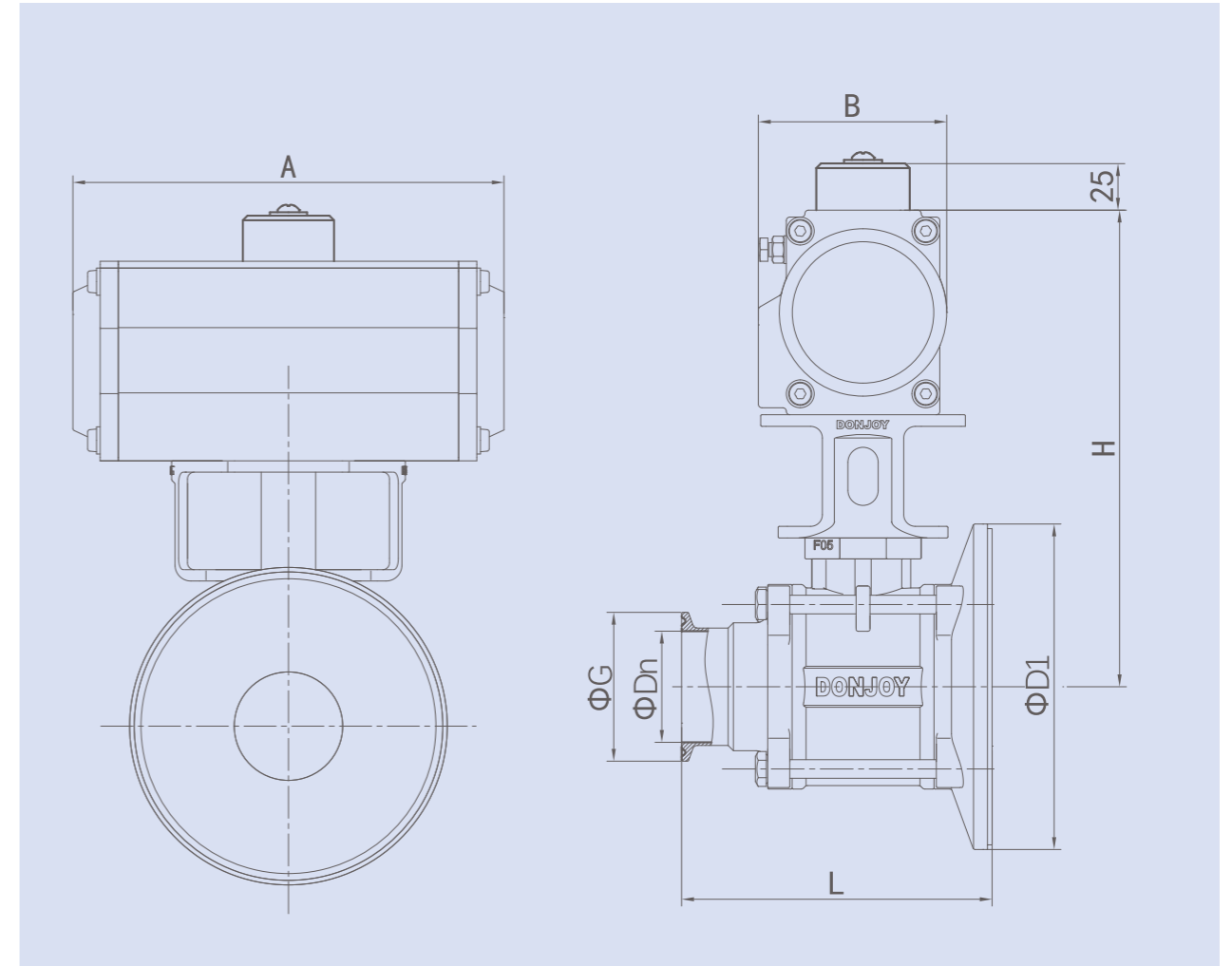
INCH

SIZE	$\Phi D_n$	$\Phi D$	$\Phi G$	L	H	H <sub>2</sub>	KxK	ISO5211
0.5"	9.7	12.7	25.4	89	40.5	12	8x8	F04
0.75"	16	19	25.4	89	40.5	12	8x8	F04
1"	22.4	25.4	25.4	114	44	12	8x8	F04/F05
1.25"	28.8	31.8	50.5	117	49	12	8x8	F04/F05
1.5"	35.1	38.1	50.5	142	56	12	10x10	F05
2"	47.8	50.8	64	156	64	13	10x10	F05
2.5"	59.5	63.5	77.5	197	81	16	10x10	F07
3"	72.2	76.2	91	221	92	16	14x14	F07
3.5"	85	89	106	229	98	16	14x14	F07
4"	97.6	101.6	119	241	115	16	14x14	F07/F10

DIN

SIZE	$\Phi D_n$	$\Phi D$	$\Phi G$	L	H	H <sub>2</sub>	KxK	ISO5211
DN10	9	12	34	89	40.5	12	8x8	F04
DN15	16	18	34	89	40.5	12	8x8	F04
DN20	19	22	34	89	40.5	12	8x8	F04
DN25	25	28	50.5	114	44	12	8x8	F04/F05
DN32	31	34	50.5	117	49	12	8x8	F04/F05
DN40	37	40	50.5	142	56	13	10x10	F05
DN50	49	52	64	156	64	13	10x10	F05
DN65	66	70	91	207	87	15.5	14x14	F07
DN80	81	85	106	229	98	16	14x14	F07
DN100	100	104	119	241	115	16	14x14	F07/F10

三片无滞留球阀外形尺寸图

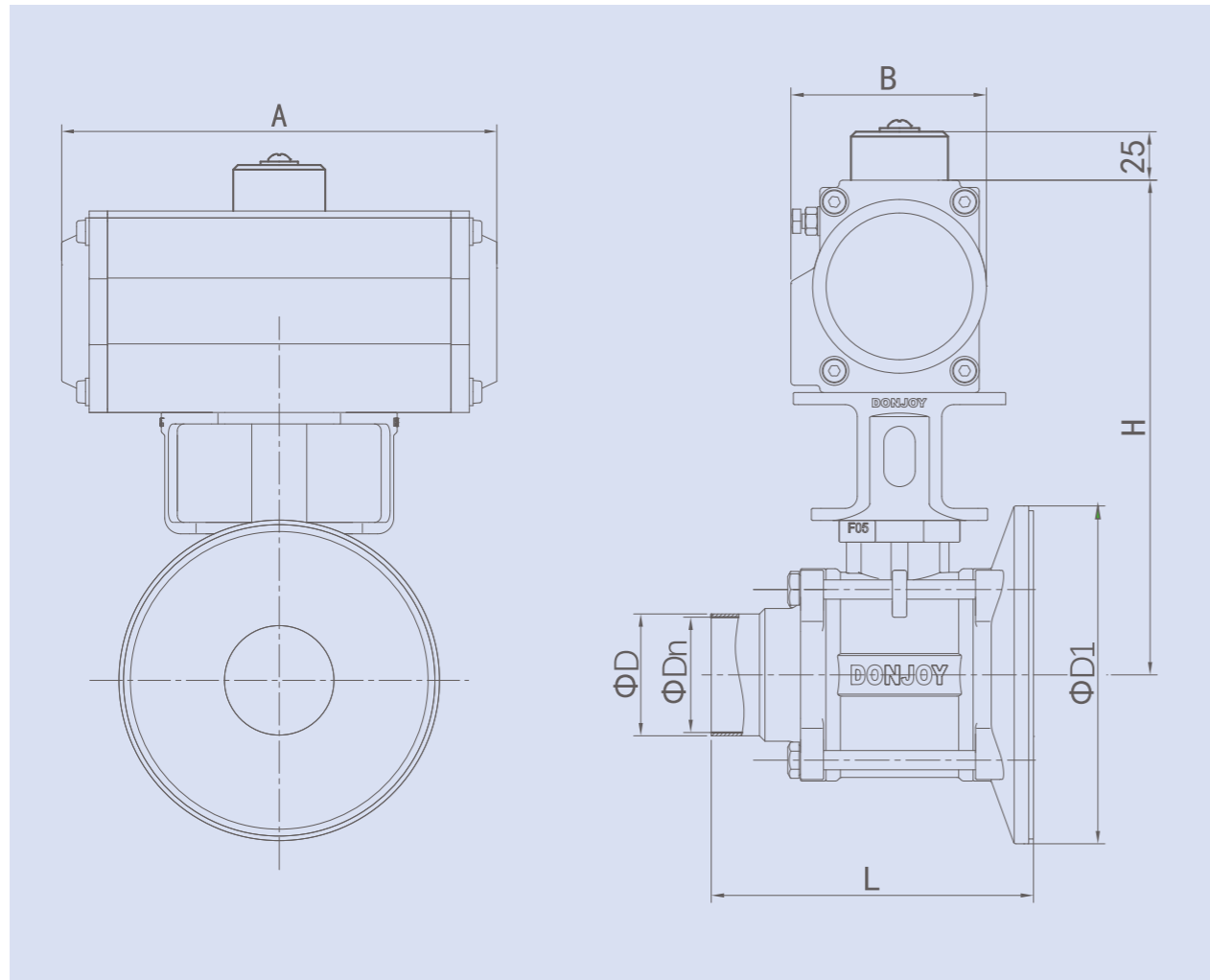


INCH

SIZE	D <sub>n</sub>	D	G	G	L	铝制单作用		铝制双作用			
							H	A	B	H	
0.5"	9.7	12.7	25	120	96	154	77	156.5	154	77	156.5
0.75"	16	19	25	120	96	154	77	156.5	154	77	156.5
1"	22.4	25.4	50.5	120	110	173	90	174	154	77	160
1.5"	35.1	38.1	50.5	140	121	208	111	207	173	90	186
2"	47.8	50.8	50.5	140	133	254	121	237	190	102	217
2.5"	59.5	63.5	77.5	180	164	282	134	269	208	111	243
3"	72.2	76.2	91	200	184	312	155	300	254	121	265
3.5"	85	89	106	200	192	312	155	306	282	134	286
4"	97.6	101.6	119	238	215	380	172	346	312	155	323

# 球阀 Ball valve

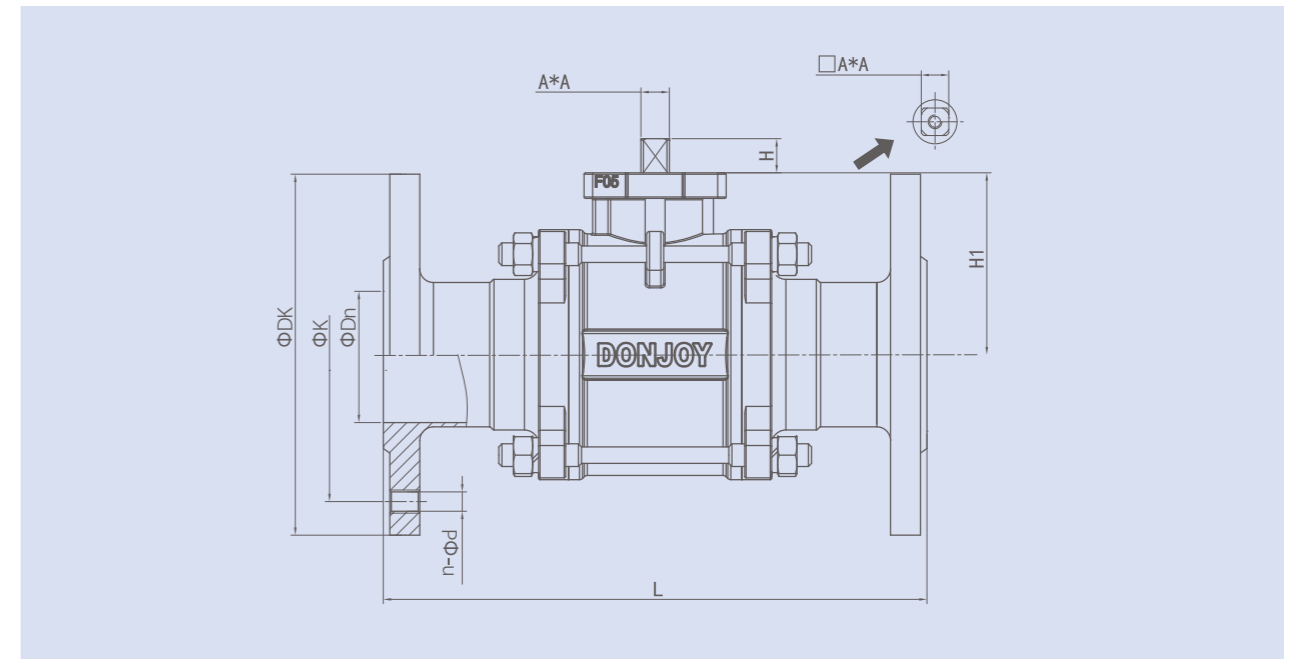
三片无滞留球阀外形尺寸图



DIN

SIZE	Dn	D	G	D1	L	铝制单作用			铝制双作用		
						A	B	H	A	B	H
DN10	9	12	34	120	96	154	77	156.5	154	77	156.5
DN15	16	18	34	120	96	154	77	156.5	154	77	156.5
DN20	19	22	34	120	96	154	77	156.5	154	77	156.5
DN25	25	28	50.5	120	110	173	90	174	154	77	160
DN40	37	40	50.5	140	121	208	111	207	173	90	186
DN50	49	52	64	140	133.5	254	121	237	190	102	217
DN65	66	70	91	180	172.5	282	134	275	254	121	260
DN80	81	85	106	200	192	312	155	306	282	134	286
DN100	100	104	119	238	215	380	172	346	312	155	323

三片无滞留球阀(不带执行器)外形尺寸图



DIN

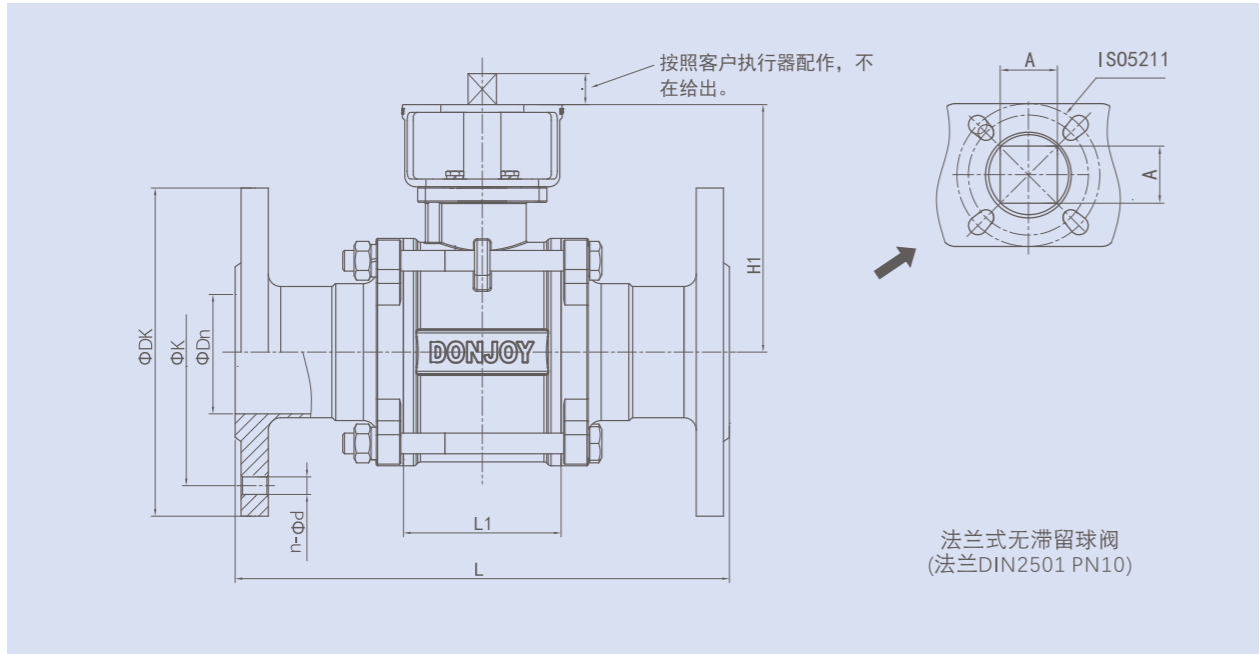
SIZE	ISO5211	φDn	φDK	φK	n-φd	L	H	H1	M	方芯A*A
DN15	F04	15	95	65	4-14	111	11	40.5	M8	8*8
DN20	F04	19	105	75	4-14	115	11	40.5		
DN25	F04	25	115	85	4-14	140	11	44		
DN32	F04	31	140	100	4-18	147	11	49	M14	10*10
DN40	F05	37	150	110	4-18	176	11.5	56		
DN50	F05	49	165	125	4-18	186	12	64		
DN65	F07	66	185	145	4-18	240.5	15.5	81	M18	14*14
DN80	F07	81	200	160	8-18	267	15	98		
DN100	F10	100	200	180	8-18	279	16	115		

INCH

SIZE	ISO5211	φDn	φDK	φK	n-φd	L	H	H1	M	方芯A*A
0.5"	F04	9.7	95	65	4-14	111	11	40.5	M8	8*8
0.75"	F04	16.1	105	75	4-14	115	11	40.5		
1"	F04	22.4	115	85	4-14	140	11	44		
1.25"	F04	28.8	140	100	4-18	147	11	49	M14	10*10
1.5"	F05	35.1	150	110	4-18	176	11.5	56		
2"	F05	47.8	165	125	4-18	186	12	64		
2.5"	F07	59.5	185	145	4-18	240.5	15	81	M18	14*14
3"	F07	72.2	185	145	4-18	252.5	14.5	92		
3.5"	F07	85	200	160	8-18	267	15	98		
4"	F10	97.6	200	180	8-18	279	16	115		

# 球阀 Ball valve

三片无滞留球阀(不带执行器)外形尺寸图



法兰式无滞留球阀  
(法兰DIN2501 PN10)

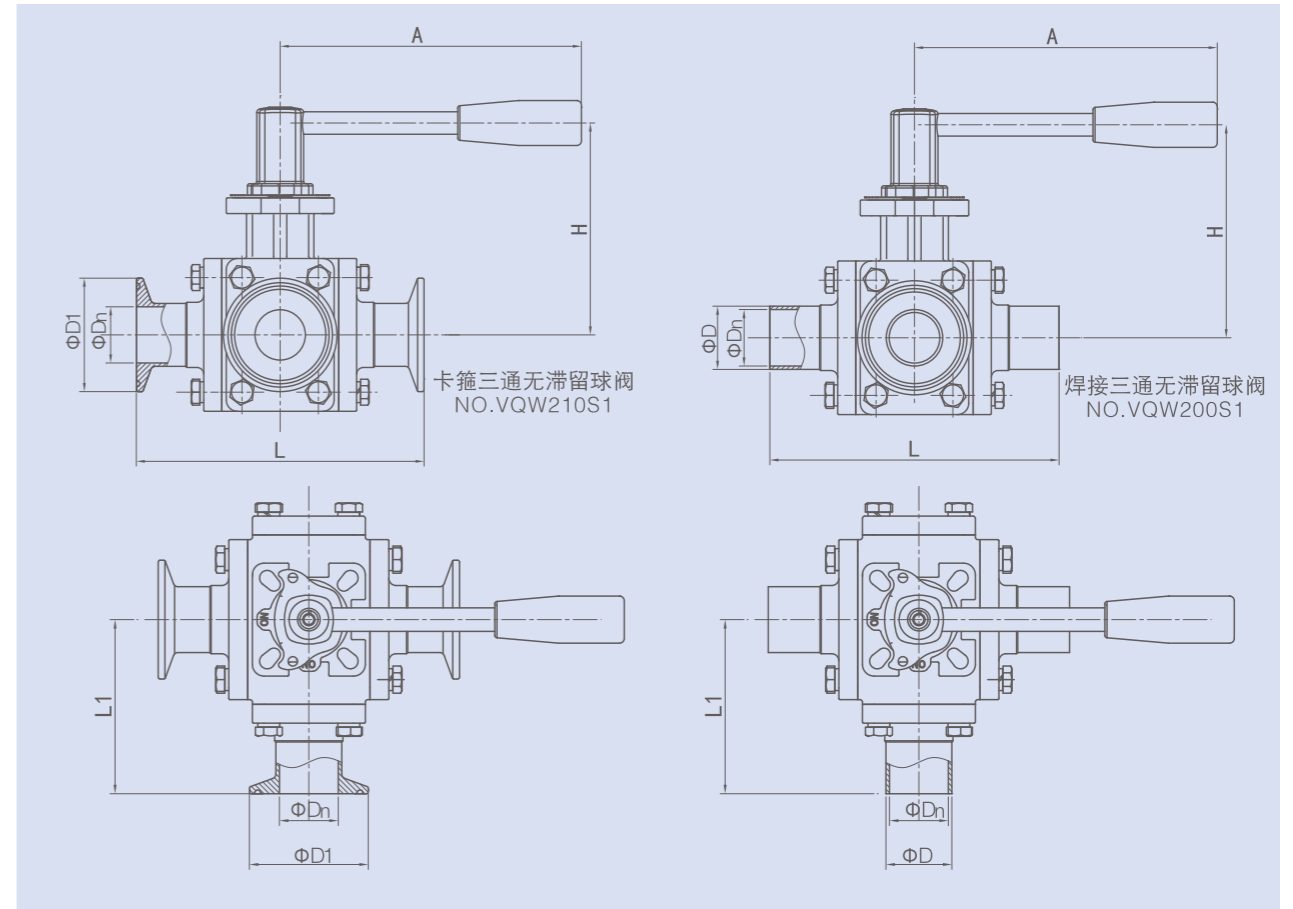
INCH

SIZE	IS05211	$\phi Dn$	$\phi DK$	$\phi K$	$n-\phi d$	L	H1	方芯AXA	L1
DN15	F04-F05	15	95	65	4-14	111	82.5	11x11	33
DN20	F04-F05	19	105	75	4-14	115	82.5	11x11	33
DN25	F04-F05	25	115	85	4-14	140	86	14x14	36
DN32	F04-F05	31	140	100	4-18	147	91	14x14	45
DN40	F04-F05	37	150	110	4-18	176	98	14x14	50
DN50	F05-F07	49	165	125	4-18	186	117	17x17	61
DN65	F05-F07	66	185	145	4-18	240.5	140	22x22	78.5
DN80	F05-F07	81	200	160	8-18	267	151	22x22	95
DN100	F07-F10	100	220	180	8-18	279	168	27x27	119

INCH

SIZE	IS05211	$\phi Dn$	$\phi DK$	$\phi K$	$n-\phi d$	L	H1	方芯AXA	L1
0.5"	F04-F05	9.7	95	65	4-14	111	82.5	11x11	33
0.75"	F04-F05	16.1	105	75	4-14	115	82.5	11x11	33
1"	F04-F05	22.4	115	85	4-14	140	86	11x11	33
1.25"	F04-F05	28.8	140	100	4-18	147	91	14x14	36
1.5"	F04-F05	35.1	150	110	4-18	176	98	14x14	45
2"	F05-F07	47.8	165	125	4-18	186	117	14x14	50
2.5"	F05-F07	59.5	185	145	4-18	240.5	134	17x17	61
3"	F05-F07	72.2	185	145	4-18	254.5	145	22x22	78.5
3.5"	F05-F07	85	200	160	8-18	267	151	22x22	95
4"	F07-F10	97.6	220	180	8-18	279	168	27x27	119

手动式三通无滞留球阀



INCH

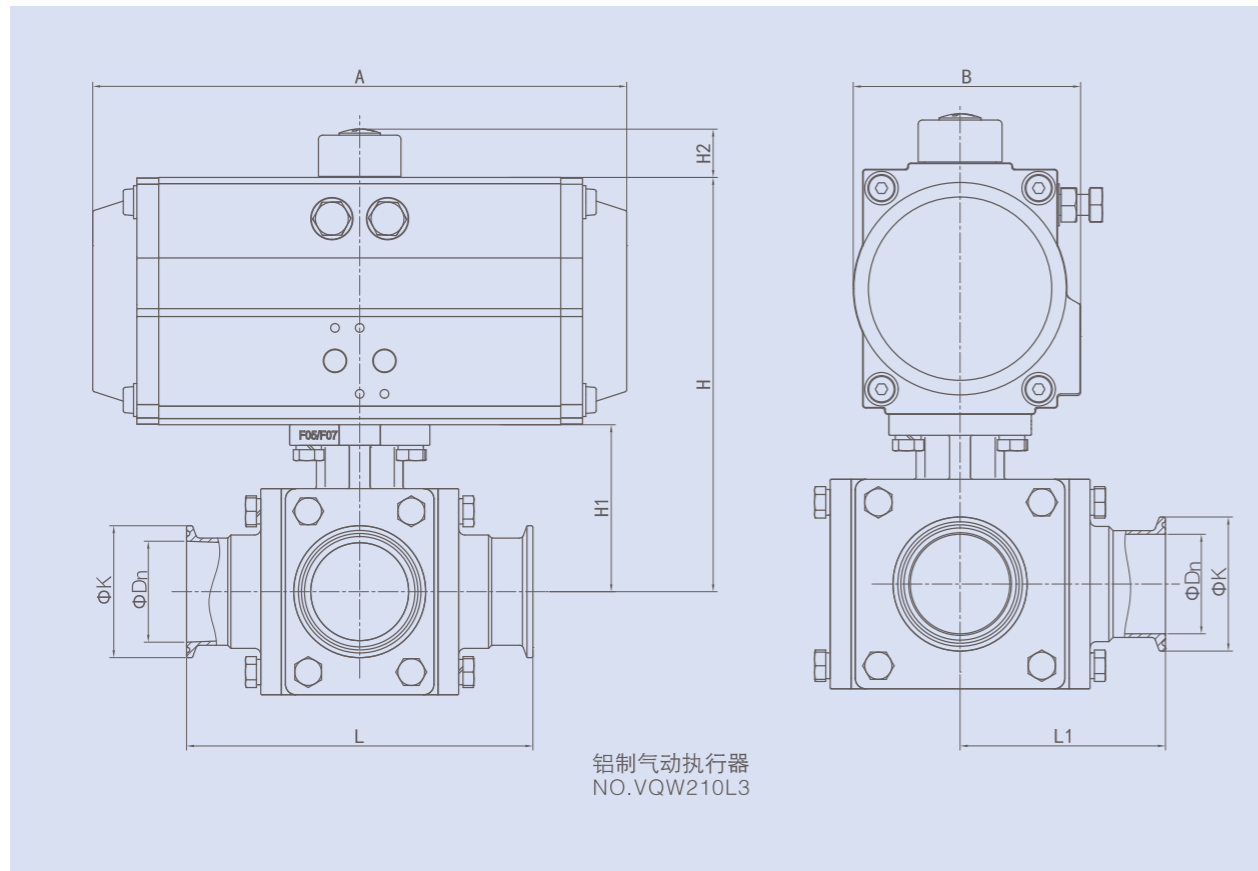
SIZE	D1	Dn	D	L	L1	A	H
1"	50.5	22.4	25.4	128	74	125	94.5
1.5"	50.5	35.1	38.1	152	88	168	105
2"	64	47.8	50.8	168	98	168	114.5
2.5"	77.5	59.5	63.5	217	126	252	134
3"	91	72.2	76.2	240	142	252	154
4"	119	97.6	101.6	265	161	503	199

DIN

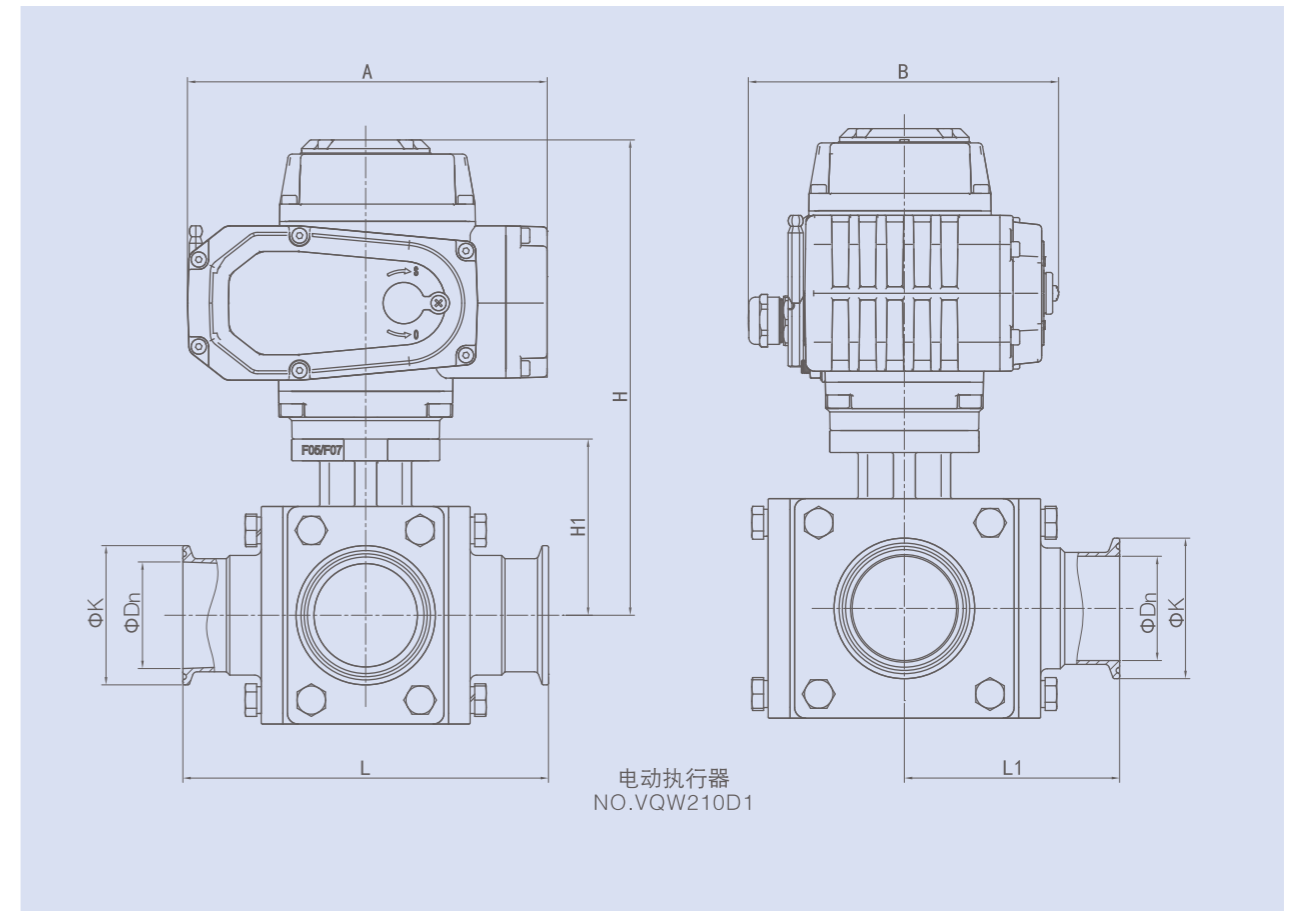
SIZE	D1	Dn	D	L	L1	A	H
Dn25	50.5	25	28	128	74	126	94.5
Dn40	50.5	37	40	152	88	168	105
Dn50	64	49	52	168	98	168	114.5
Dn65	91	66	70	229	132	252	134
Dn80	106	81	85	240	142	252	154
DN100	119	100	104	265	161	503	199

# 球阀 Ball valve

## 铝制气动三通无滞留球阀



## 电动三通无滞留球阀



### INCH

SIZE	Dn	K	L	L1	H1	单作用					双作用				
						AXB	A	B	H	H2	AXB	A	B	H	H2
1"	22.4	50.5	128	74	61	DJ063-S	173	90	149	25	DJ063-D	173	90	149	25
1.5"	35.1	50.5	152	88	72	DJ083-S	208	111	181	25	DJ075-D	190	102	172	25
2"	47.8	64	168	98	81	DJ092-S	254	121	201	25	DJ083-D	208	111	190	25
2.5"	59.5	77.5	217	126	92	DJ105-S	282	134	227	25	DJ092-D	254	121	212	25
3"	72.2	91	240	142	113	DJ125-S	312	155	268	27	DJ105-D	282	134	248	25
4"	97.6	119	265	161	140	DJ140-S	380	172	311.5	27	DJ125-D	312	155	295	27

### DIN

SIZE	Dn	K	L	L1	H1	单作用					双作用				
						执行器	A	B	H	H2	执行器	A	B	H	H2
Dn25	25	50.5	128	74	61	DJ063-S	173	90	149	25	DJ063-D	173	90	149	25
Dn40	37	50.5	152	88	72	DJ083-S	208	111	181	25	DJ075-D	190	102	172	25
Dn50	49	64	168	98	81	DJ092-S	254	121	201	25	DJ083-D	208	111	190	25
Dn65	66	77.5	217	132	92	DJ105-S	282	134	227	25	DJ092-D	254	121	212	25
Dn80	81	91	240	142	113	DJ125-S	312	155	268	27	DJ105-D	282	134	248	25
Dn100	100	119	265	161	140	DJ140-S	380	172	311.5	27	DJ125-D	312	155	295	27

### INCH

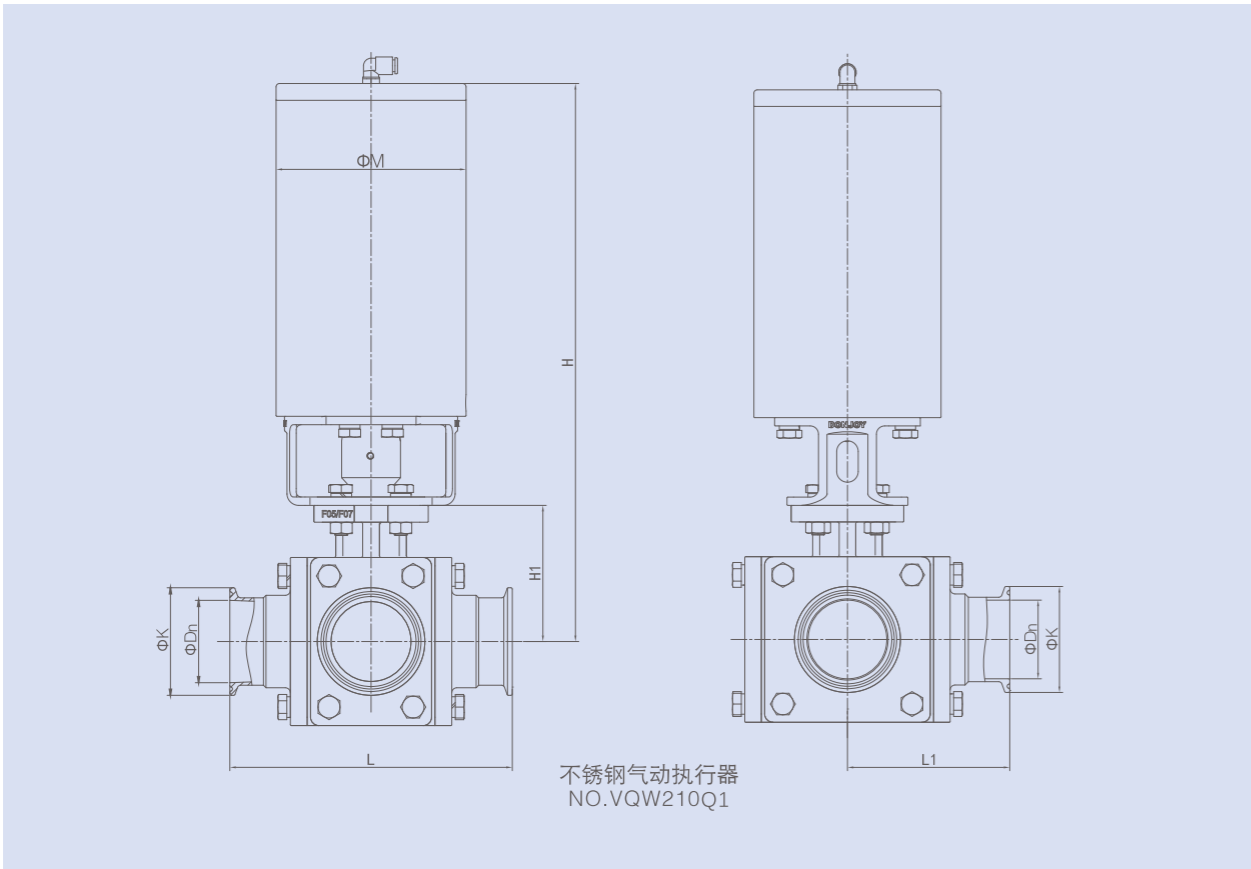
SIZE	Dn	K	L	L1	H1	A	B	H
1"	22.4	50.5	128	74	61	165	140.5	198.5
1.5"	35.1	50.5	152	88	72	165	140.5	209.5
2"	47.8	64	168	98	81	165	140.5	218.5
2.5"	59.5	77.5	217	126	92	211.5	154	260.5
3"	72.2	91	240	142	113	211.5	154	281.5
4"	97.6	119	265	161	140	259	186	343

### DIN

SIZE	Dn	K	L	L1	H1	A	B	H
DN25	25	50.5	128	74	61	165	140.5	198.5
DN40	37	50.5	152	88	72	165	140.5	209.5
DN50	49	64	168	98	81	165	140.5	218.5
DN65	66	91	217	126	92	211.5	154	260.5
DN80	81	106	240	142	113	211.5	154	281.5
DN100	100	119	265	161	140	259	186	343

# 球阀 Ball valve

## 不锈钢气动三通无滞留球阀



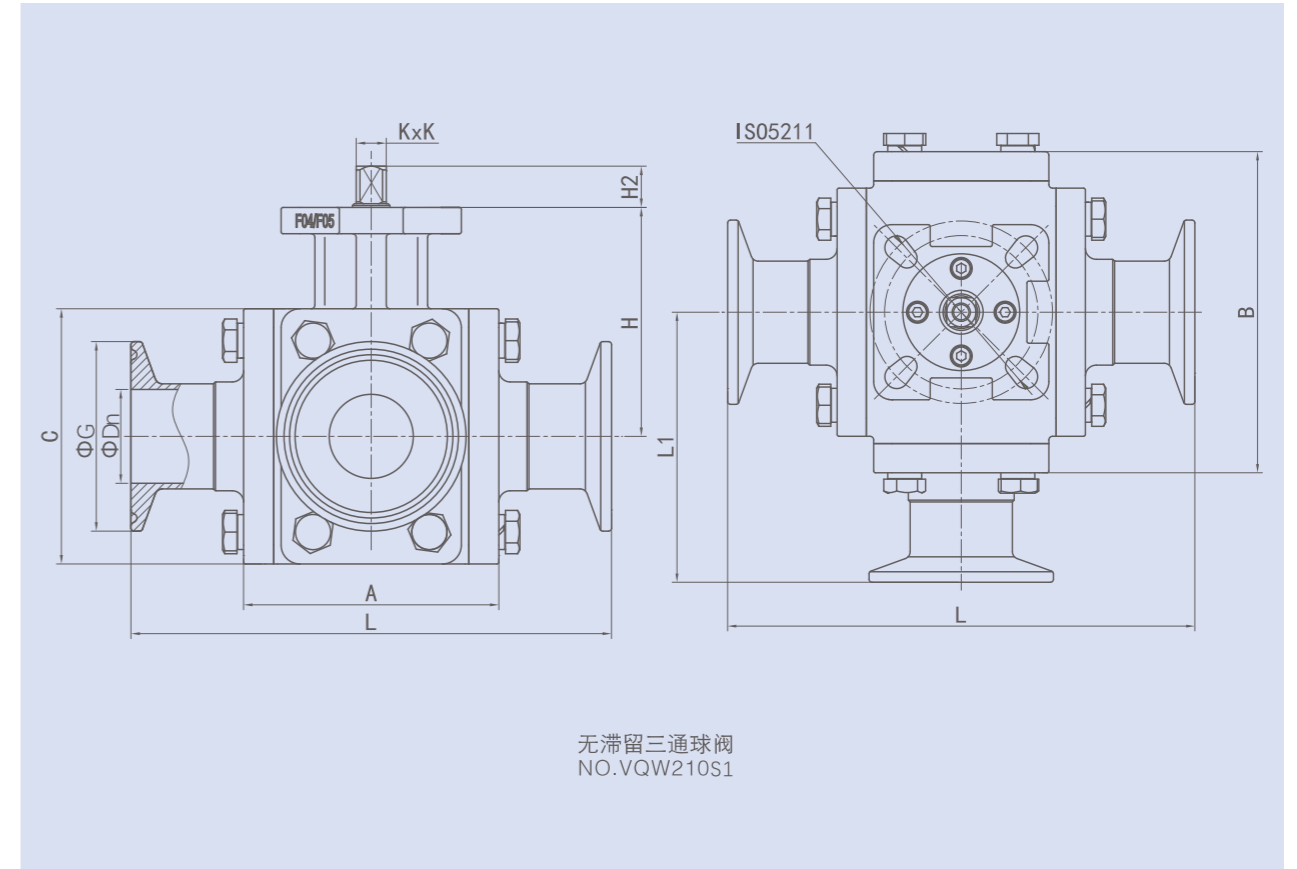
INCH

SIZE	K	Dn	L	L1	H1	M	H
1"	50.5	22.4	128	74	61	86	247.5
1.5"	50.5	35.1	152	88	72	113	313
2"	64	47.8	168	98	81	113	332
2.5"	77.5	59.5	217	126	92	133	380
3"	91	72.2	240	142	113	133	401
4"	119	97.6	265	161	140	166	448

INCH

SIZE	K	Dn	L	L1	H1	M	H
DN25	50.5	25	128	74	61	86	247.5
DN40	50.5	37	152	88	72	113	313
DN50	64	49	168	98	81	113	332
DN65	77.5	66	217	126	92	133	380
DN80	91	81	240	142	113	166	441
DN100	119	100	265	161	140	166	448

## 三通无滞留球阀(不带执行器)外形图



INCH

SIZE	Dn	G	L	L1	A	B	C	H	Is05211	KxK	H2
1"	22.4	50.5	128	74	68	88	68	61	F04-F05	8X8	11
1.5"	35.1	50.5	152	88	85	109	85	72	F05-F07	10X10	13.5
2"	47.8	64	168	98	96	124	100	81	F05-F07	10X10	13
2.5"	59.5	77.5	217	126	115	150	118	92	F07-F10	14X14	16.5
3"	72.2	91	240	142	136	180	146	113	F07-F10	14X14	15.5
4"	97.6	119	265	161	171	228	190	140	F10-F12	22X22	24

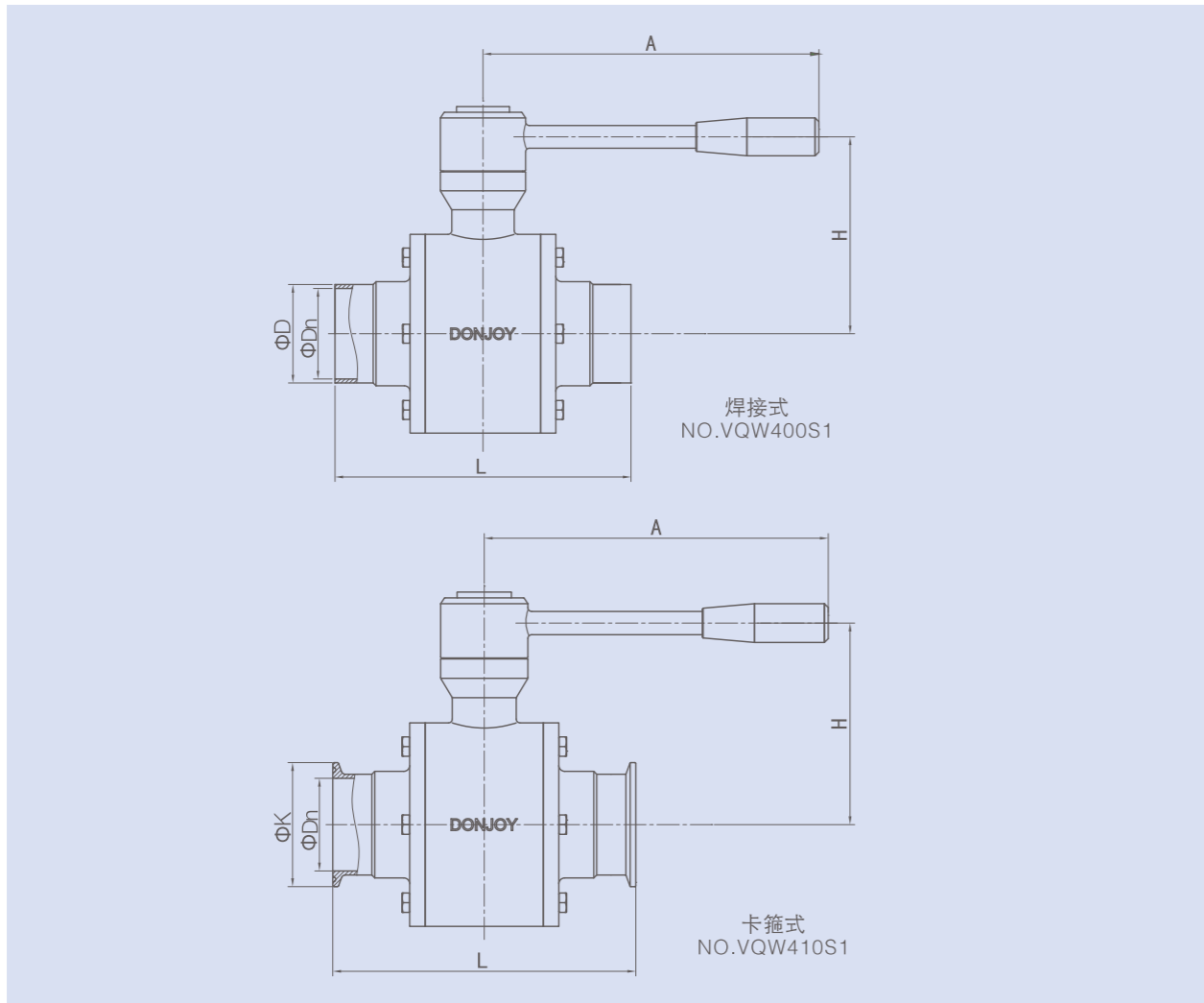
DIN

SIZE	Dn	G	L	L1	A	B	C	H	Is05211	KxK	H2
DN25	25	50.5	128	74	68	88	68	61	F04-F05	8X8	11
DN40	37	50.5	152	88	85	109	85	72	F05-F07	10X10	13.5
DN50	49	64	168	98	96	124	100	81	F05-F07	10X10	13
DN65	66	91	217	126	115	150	118	92	F07-F10	14X14	16.5
DN80	81	106	240	142	136	180	146	113	F07-F10	14X14	15.5
DN100	100	119	265	161	171	228	190	140	F10-F12	22X22	24



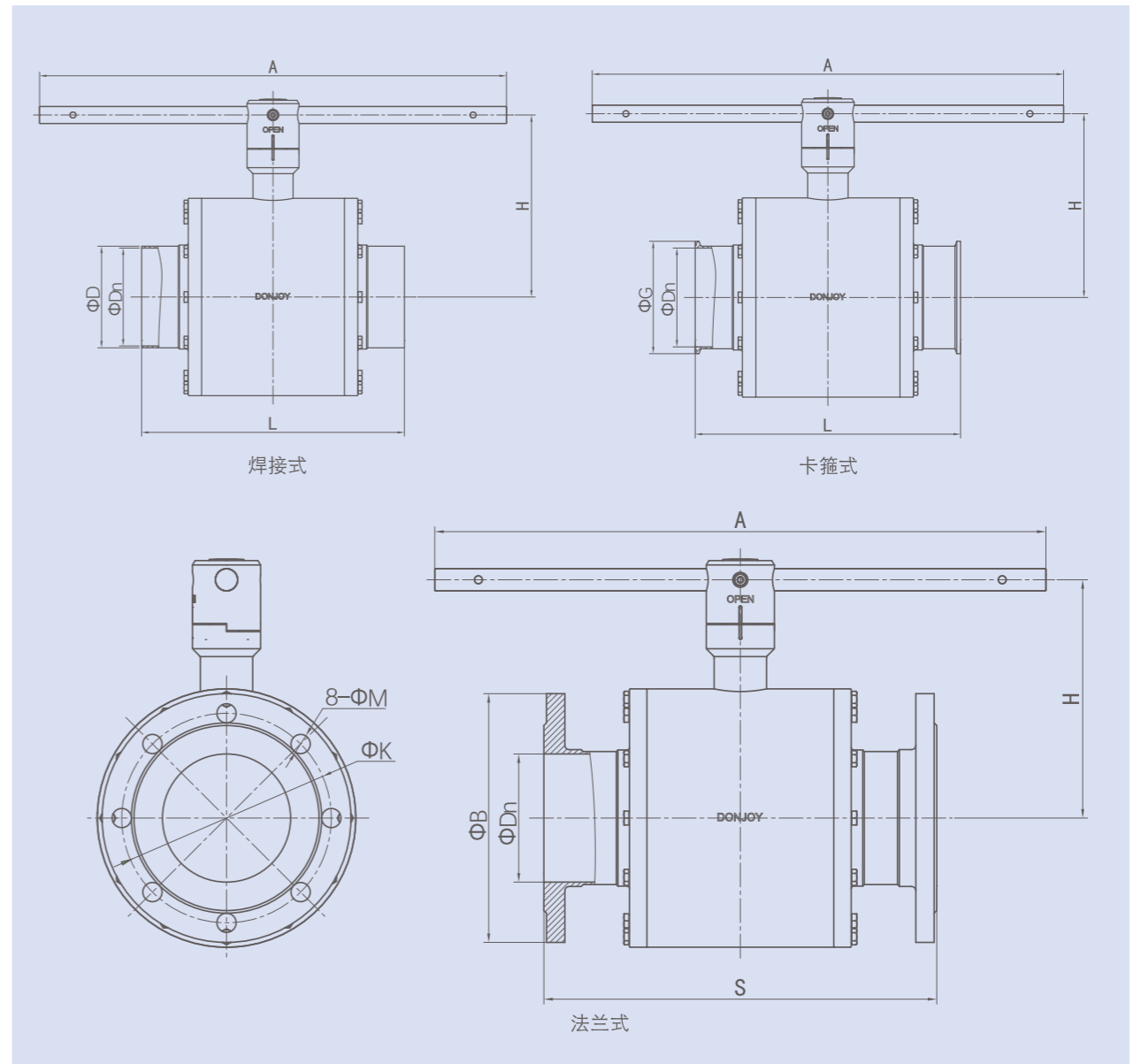
# 球阀 Ball valve

2017款外观无滞留球阀(0.5"-4"手动)-外形尺寸图



INCH							DIN						
SIZE	Dn	D	K	L	H	A	SIZE	Dn	D	K	L	H	A
0.5"	9.7	12.7	25	89	80	90	DN10	9	12	34	89	80	90
0.75"	16	19	25	89	80	90	DN15	16	18	34	89	80	90
1"	22.4	25.4	50.5	114	85.5	142	DN20	19	22	34	114	80	90
1.25"	28.8	31.8	50.5	117	91	142	DN25	25	28	50.5	117	85.5	142
1.5"	35.1	38.1	50.5	142	100	178	DN32	31	34	50.5	142	91	142
2"	47.8	50.8	64	156	109	178	DN40	37	40	50.5	156	100	178
2.5"	59.5	63.5	77.5	197	127	197	DN50	49	52	64	197	109	178
3"	72.2	76.2	91	221	136	197	DN65	66	70	91	221	133	198
3.5"	85	89	106	229	146	242	DN80	81	85	106	229	146	242
4"	97.6	101.6	119	241	161	242	DN100	100	106	119	241	161	242

2017款外观无滞留球阀(5"-8"手动)-外形尺寸图

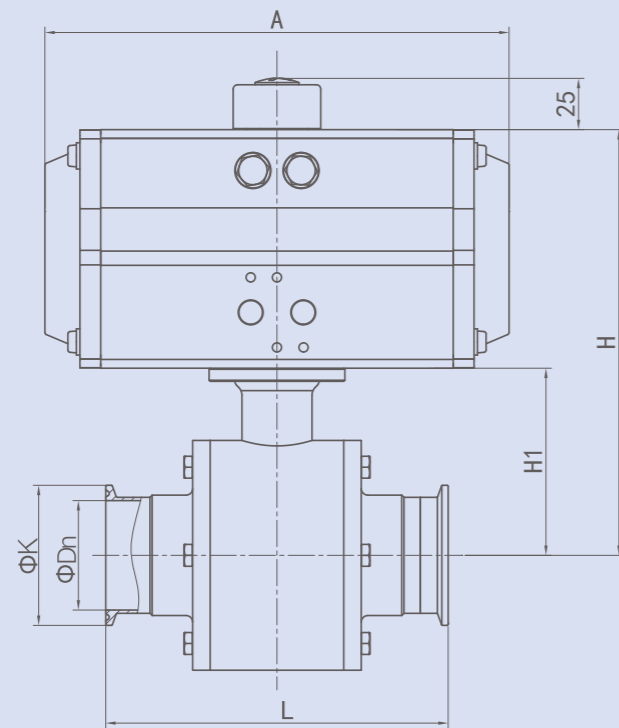


2017款外观无滞留球阀(5"-8"手动)-外形尺寸图

SIZE	焊接式、卡箍式			法兰式				A	H	
	D	Dn	G	L	ΦB	ΦK	ΦM			S
5"	127	123	144.5	359	250	210	18	389	700	251
DN125(卡盘144.5)	129	125	144.5							
DN125(卡盘144.5)	129	125	155							
6"	152.4	146.8	167	394	285	240	22	450	700	273
8"	203.2	197.6	217	439	340	295	22	509	800	307

# 球阀 Ball valve

2017款外观无滞留球阀(卧式气动)-外形尺寸图



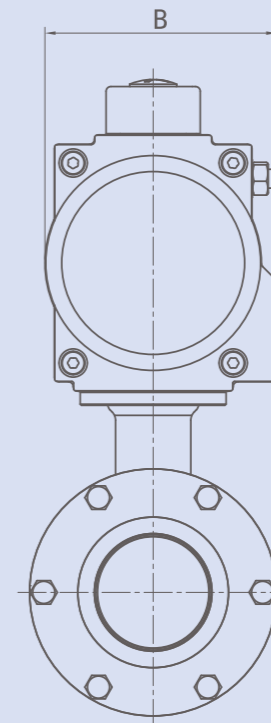
NO.VQW410Q2

INCH

SIZE	Dn	D	K	L	H1	单作用				双作用			
						执行器	A	B	H	AXB	A	B	H
0.5"	9.7	12.7	25	89	63	DJ052-S	154	77	137	DJ052-D	154	77	137
0.75"	16	19	25	89	63	DJ052-S	154	77	137	DJ052-D	154	77	137
1"	22.4	25.4	50.5	114	63	DJ063-S	173	90	151	DJ052-D	154	77	137
1.25"	28.8	31.8	50.5	117	68.5	DJ075-S	190	102	168.5	DJ063-D	173	90	156.5
1.5"	35.1	38.1	50.5	142	76.5	DJ083-S	208	111	185.5	DJ063-D	173	90	164.5
2"	47.8	50.8	64	156	85.5	DJ092-S	254	121	205.5	DJ075-D	190	102	185.5
2.5"	59.5	63.5	77.5	197	100	DJ105-S	282	134	235	DJ083-D	208	111	209
3"	72.2	76.2	91	221	109	DJ125-S	312	155	264	DJ092-D	254	121	229
3.5"	85	89	106	229	117	DJ125-S	312	155	272	DJ105-D	282	134	252
4"	97.6	101.6	119	241	132	DJ140-S	380	172	310	DJ125-D	312	155	287

注意：以上数据图相关尺寸不作为实物最终依据，东正保留对于数据更新权限不再另行通知。  
Note: The relevant dimensions of the above data diagrams are not regarded as the final basis of the actual object. Dongzheng reserves the right to update the data without further notice.

2017款外观无滞留球阀(卧式气动)-外形尺寸图



NO.VQW410Q2

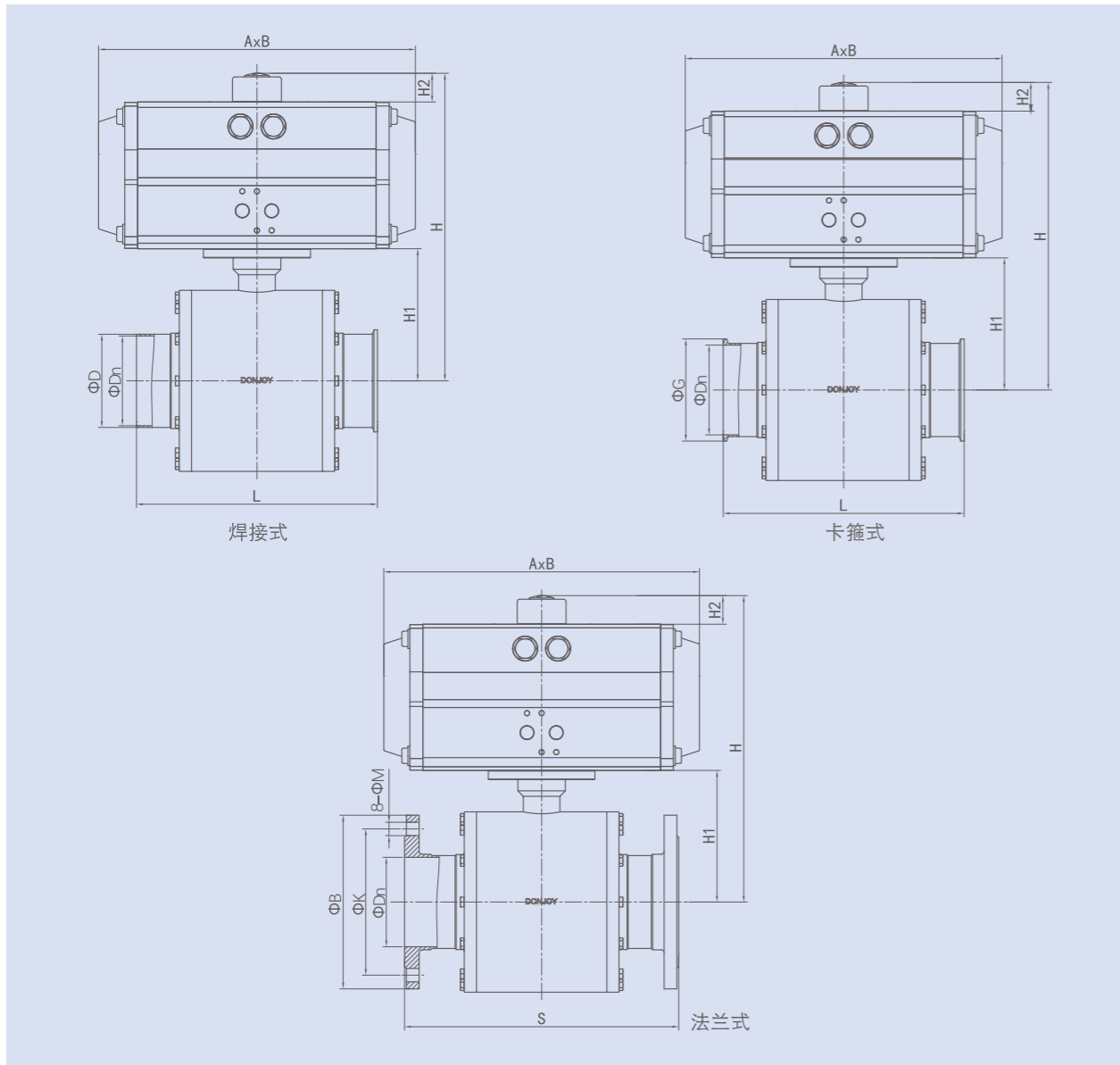
DIN

SIZE	Dn	D	K	L	H1	单作用				双作用			
						执行器	A	B	H	AXB	A	B	H
DN10	9	12	34	89	63	DJ052-S	154	77	137	DJ052-D	154	77	137
DN15	16	18	34	89	63	DJ052-S	154	77	137	DJ052-D	154	77	137
DN20	19	22	34	89	63	DJ052-S	154	77	137	DJ052-D	154	77	137
DN25	25	28	50.5	114	63	DJ063-S	173	90	151	DJ052-D	154	77	137
DN32	31	34	50.5	117	68.5	DJ075-S	190	102	168.5	DJ063-D	173	90	156.5
DN40	37	40	50.5	142	76.5	DJ083-S	208	111	185.5	DJ063-D	173	90	164.5
DN50	49	52	64	156	85.5	DJ092-S	254	121	205.5	DJ075-D	190	102	185.5
DN65	66	70	91	207	106	DJ105-S	282	134	241	DJ092-D	254	121	226
DN80	81	85	106	229	117	DJ125-S	312	155	272	DJ105-D	282	134	252
DN100	100	104	119	241	132	DJ140-S	380	172	310	DJ125-D	312	155	287

注意：以上数据图相关尺寸不作为实物最终依据，东正保留对于数据更新权限不再另行通知。  
Note: The relevant dimensions of the above data diagrams are not regarded as the final basis of the actual object. Dongzheng reserves the right to update the data without further notice.

# 球阀 Ball valve

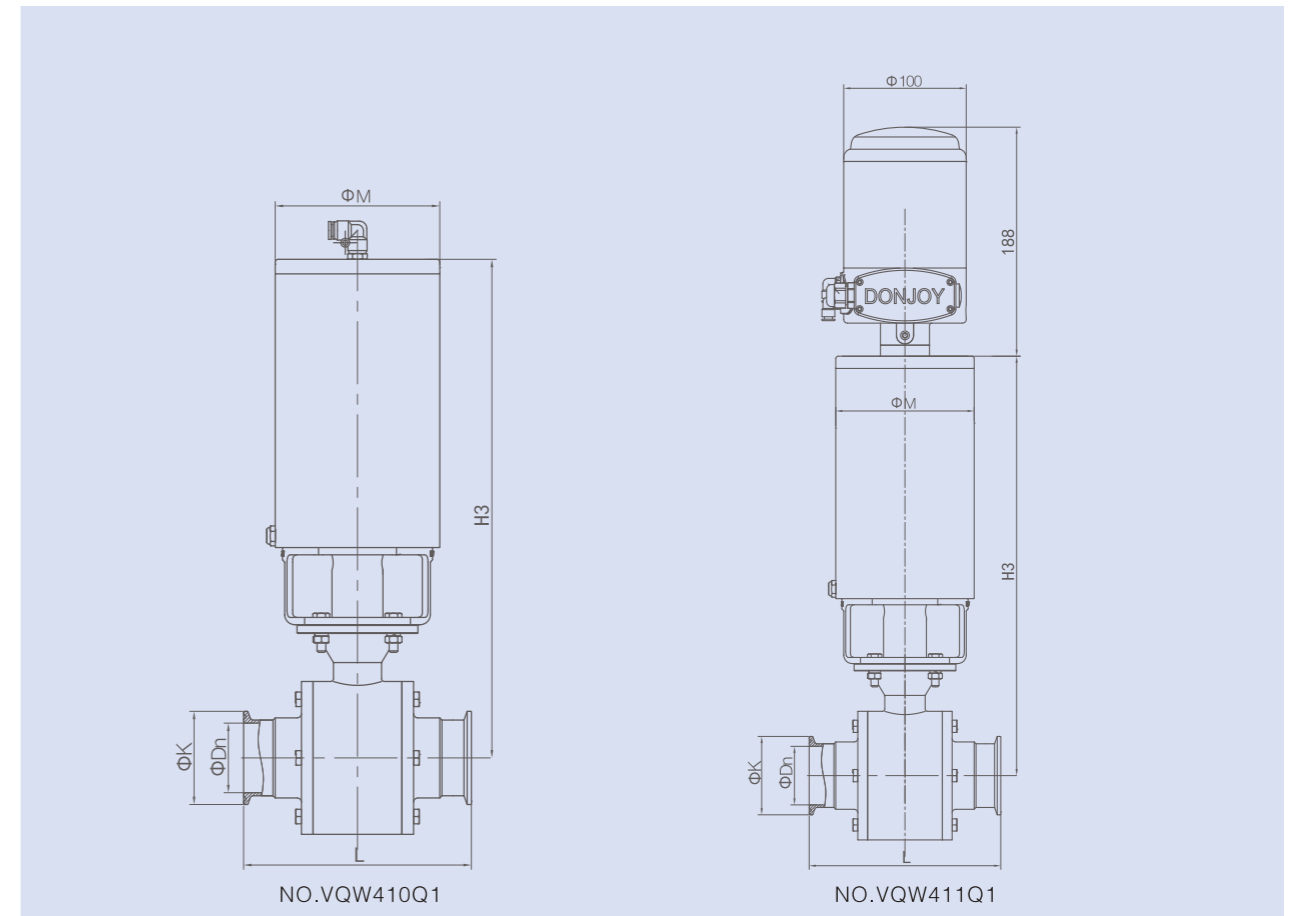
2017款外观无滞留球阀(卧式气动执行器)-外形尺寸图



2017款外观无滞留球阀(卧式气动执行器)-外形尺寸图

SIZE	焊接式、卡箍式				法兰式				H	H1	H2	Ax/B
	D	Dn	G	L	ΦB	ΦK	ΦM	S				
5"	127	123	144.5	359	250	210	18	389	418	194	27	426x194
DN125(卡盘144.5)	129	125	144.5									
DN125(卡盘144.5)	129	125	155									
6"	152.4	146.8	167	394	285	240	22	450	491	216	40	484x229
8"	203.2	197.6	217	439	340	295	22	509	548	248	40	532x250

2017款外观无滞留球阀(不锈钢气动)-外形尺寸图

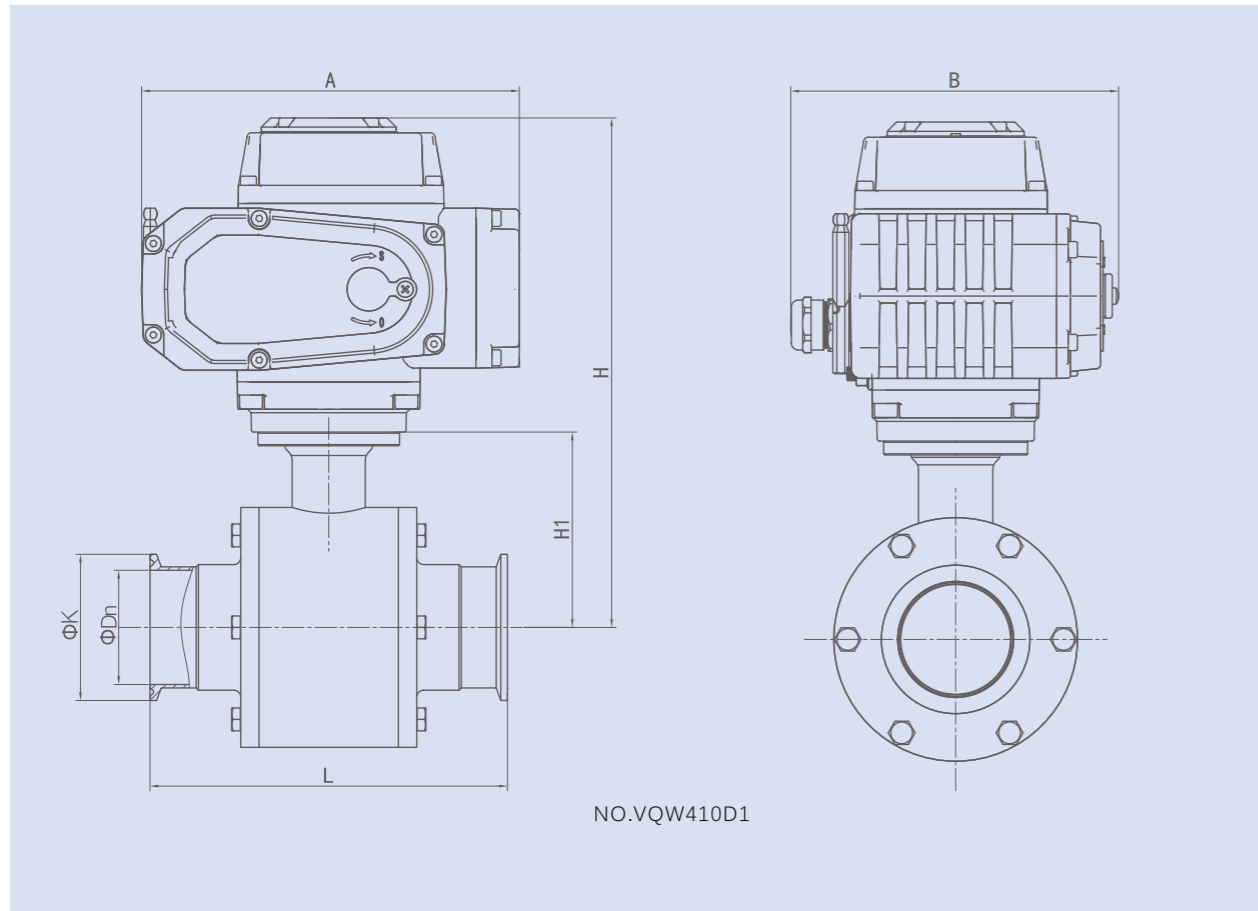


INCH							DIN						
SIZE	Dn	D	K	L	M	H3	SIZE	Dn	D	K	L	M	H3
0.5"	9.7	12.7	25	89	86	250	DN10	9	12	34	89	86	250
0.75"	16	19	25	89	86	250	DN15	16	18	34	89	86	250
1"	22.4	25.4	50.5	114	86	250	DN20	19	22	34	89	86	250
1.25"	28.8	31.8	50.5	117	86	255	DN25	25	28	50.5	114	86	250
1.5"	35.1	38.1	50.5	142	86	263	DN32	31	34	50.5	117	86	255
2"	47.8	50.8	64	156	113	337	DN40	37	40	50.5	142	86	263
2.5"	59.5	63.5	77.5	197	113	351	DN50	49	52	64	156	113	337
3"	72.2	76.2	91	221	133	397	DN65	66	70	91	207	113	357
3.5"	85	89	106	229	133	405	DN80	81	85	106	229	133	405
4"	97.6	101.6	119	241	166	440	DN100	100	106	119	241	166	440

注意：以上数据图相关尺寸不作为实物最终依据，东正保留对于数据更新权限不再另行通知。  
Note: The relevant dimensions of the above data diagrams are not regarded as the final basis of the actual object. Dongzheng reserves the right to update the data without further notice.

# 球阀 Ball valve

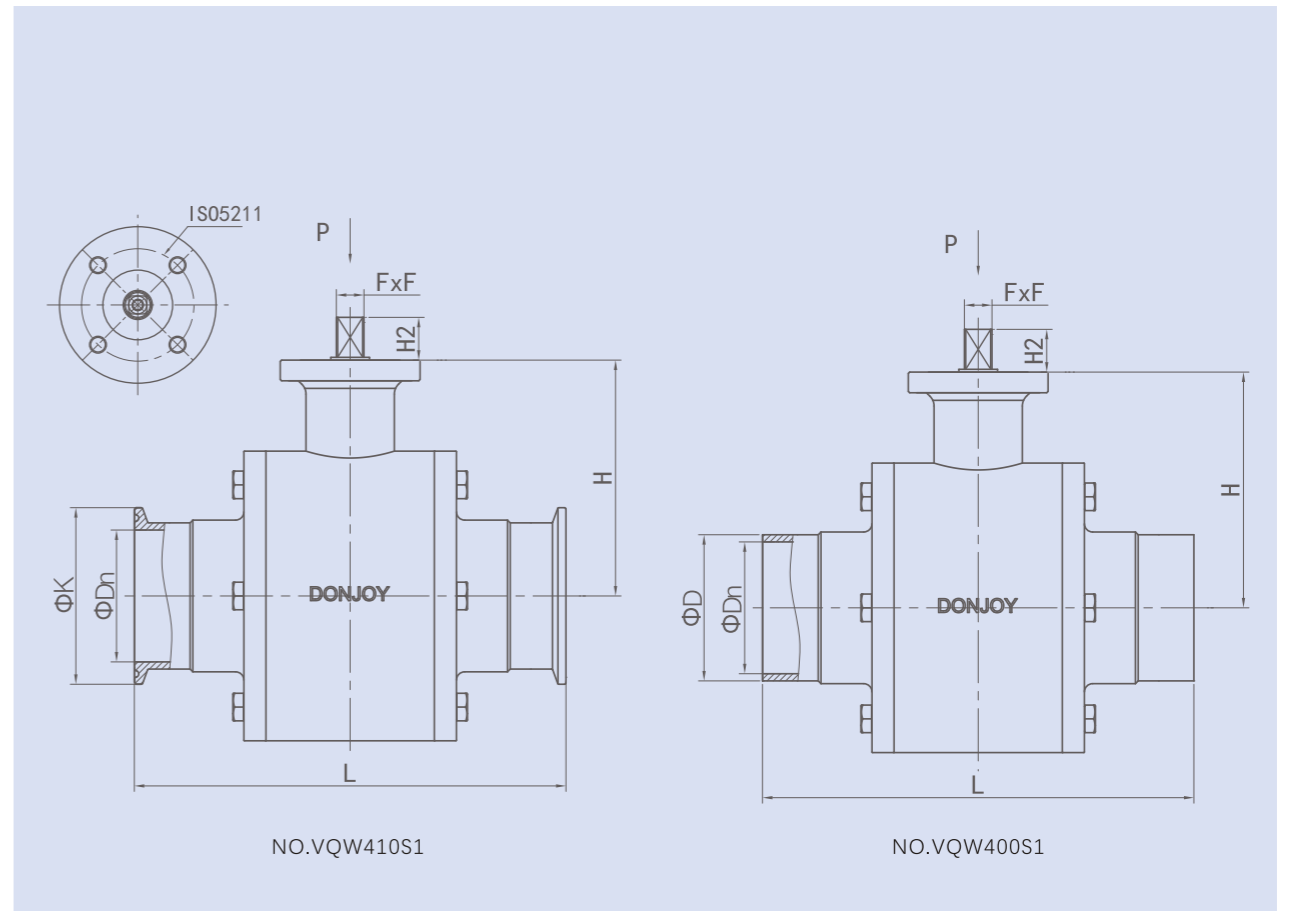
2017款外观无滞留球阀(电动)-外形尺寸图



INCH									DIN								
SIZE	Dn	D	K	L	H1	A	B	H	SIZE	Dn	D	K	L	H1	A	B	H
0.5"	9.7	12.7	25	89	63	165	140.5	208	DN10	9	12	34	89	63	165	140.5	208
0.75"	16	19	25	89	63	165	140.5	208	DN15	16	18	34	89	63	165	140.5	208
1"	22.4	25.4	50.5	114	63	165	140.5	208	DN20	19	22	34	89	63	165	140.5	208
1.25"	28.8	31.8	50.5	117	68.5	165	140.5	213.5	DN25	25	28	50.5	114	63	165	140.5	208
1.5"	35.1	38.1	50.5	142	76.5	165	140.5	223	DN32	31	34	50.5	117	68.5	165	140.5	213.5
2"	47.8	50.8	64	156	85.5	165	140.5	259.5	DN40	37	40	50.5	142	76.5	165	140.5	223
2.5"	59.5	63.5	77.5	197	100	165	140.5	247.5	DN50	49	52	64	156	85.5	165	140.5	259.5
3"	72.2	76.2	91	221	109	211.5	154	287.5	DN65	66	70	91	207	106	211.5	154	284.5
3.5"	85	89	106	229	117	259	186	330	DN80	81	85	106	229	117	259	186	330
4"	97.6	101.6	119	241	132	259	186	345	DN100	100	106	119	241	132	259	186	345

注意：以上数据图相关尺寸不作为实物最终依据，东正保留对于数据更新权限不再另行通知。  
Note: The relevant dimensions of the above data diagrams are not regarded as the final basis of the actual object. Dongzheng reserves the right to update the data without further notice.

2017款外观无滞留球阀0.5"-4"(不带执行器)-外形尺寸图

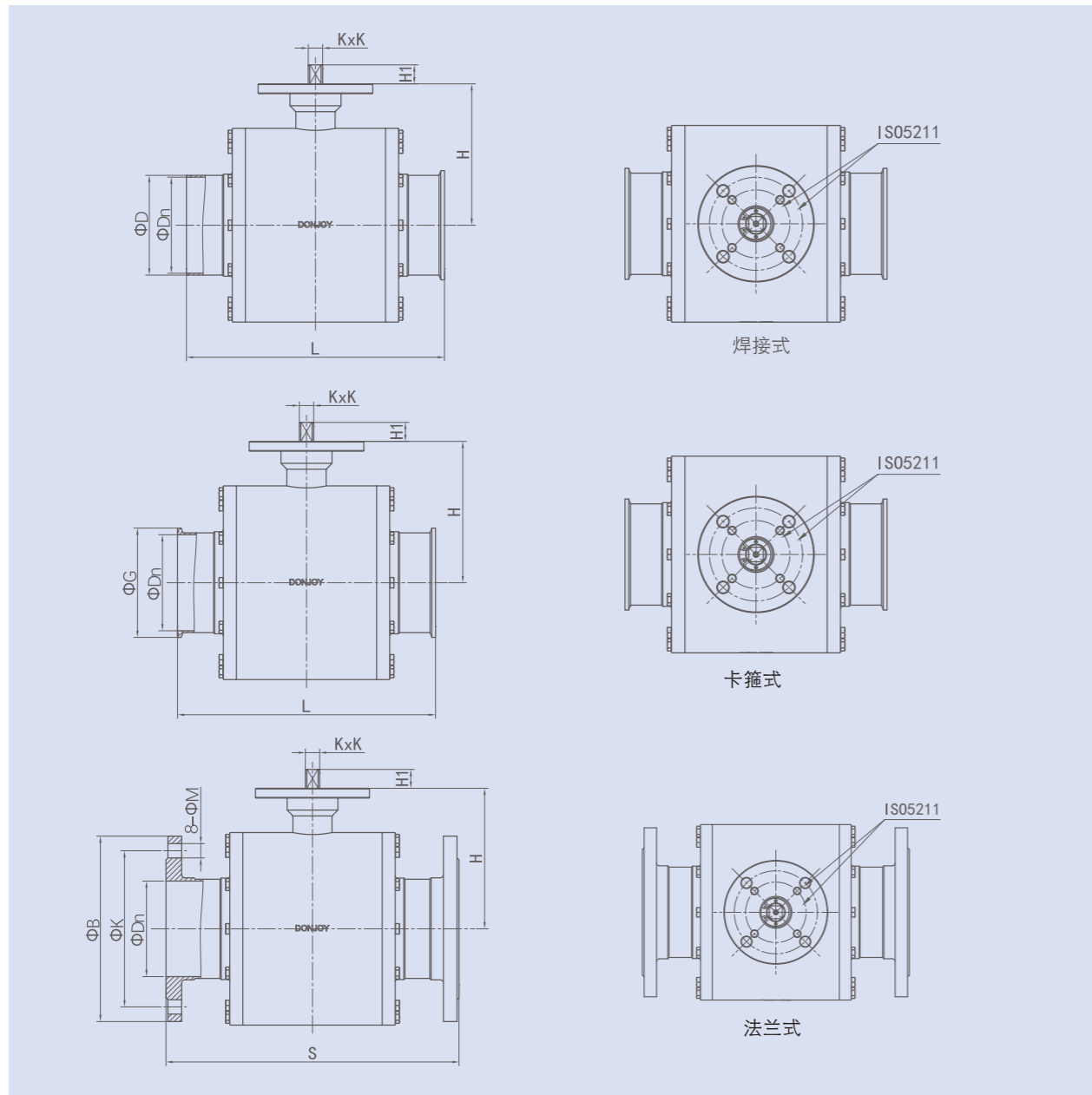


INCH									DIN								
SIZE	Dn	D	K	L	H	H2	FxF	IS05211	SIZE	Dn	D	K	L	H	H2	FxF	IS05211
0.5"	9.7	12.7	25	89	63	13.5	8x8	F04	DN10	9	12	34	89	63	13.5	8x8	F04
0.75"	16	19	25	89	63	13.5	8x8	F04	DN15	16	18	34	89	63	13.5	8x8	F04
1"	22.4	25.4	50.5	114	63	13.5	8x8	F04	DN20	19	22	34	89	63	13.5	8x8	F04
1.25"	28.8	31.8	50.5	117	68.5	14.5	8x8	F04/F05	DN25	25	28	50.5	114	63	13.5	8x8	F04
1.5"	35.1	38.1	50.5	142	76.5	15.5	10x10	F05	DN32	31	34	50.5	117	68.5	14.5	8x8	F04/F05
2"	47.8	50.8	64	156	85.5	16	10x10	F05	DN40	37	40	50.5	142	76.5	15.5	10x10	F05
2.5"	59.5	63.5	77.5	197	100	20	14x14	F07	DN50	49	52	64	156	85.5	16	10x10	F05
3"	72.2	76.2	91	221	109	20	14x14	F07	DN65	66	70	91	207	106	20	14x14	F07
3.5"	85	89	106	229	117	20	14x14	F07	DN80	81	85	106	229	117	20	14x14	F07
4"	97.6	101.6	119	241	132	20	14x14	F07/F10	DN100	100	106	119	241	132	20	14x14	F07/F10

注意：以上数据图相关尺寸不作为实物最终依据，东正保留对于数据更新权限不再另行通知。  
Note: The relevant dimensions of the above data diagrams are not regarded as the final basis of the actual object. Dongzheng reserves the right to update the data without further notice.

# 球阀 Ball valve

2017款外观无滞留球阀5"-8" (不带执行器)-外形尺寸图



SIZE	焊接式、卡箍式				法兰式				H	H1	KxK	AxB
	ΦD	ΦDn	G	L	ΦB	ΦK	ΦM	S				
5"	127	123	144.5	359	250	210	18	389	194	29	22x22	F10/F14
DN125(卡箍144.5)	129	125	144.5									
DN125(卡箍144.5)	129	125	155									
6"	152.4	146.8	167	394	285	240	22	450	216	29	22x22	F10/F14
8"	203.2	197.6	217	439	340	295	22	509	248	29	27x27	F14