

DONJOY looking forward to your visit! Your telecommunications!



东正科技有限公司
DONJOY TECHNOLOGY CO.,LTD.

地址: 温州空港新区港富路25号
总机: 0577-86990888
传真: 0577-86998000

Add: No.25 Gang fu Road, konggang
new District, Longwan Wenzhou, China
Tel: +86-577-86990888
Fax: +86-577-86998000
E-mail: donjoy@cndonjoy.com

www.cndonjoy.com

法律声明:
目录样册版权归东正所有, 如有抄袭, 必将追究其法律责任和经济赔偿。
东正已获得国家版权局书刊号。东正诸多产品技术, 都具有专利保护, 如有抄袭, 必将追究法律责任和经济赔偿。

Legal statement:
Copyright of the catalogue belongs to Donjoy. If there is plagiarism, it will be investigated for legal responsibility and economic compensation. Donjoy has been granted publications number by China's National Copyright. Donjoy products and technology with patent protection. If there is plagiarism, it will be investigated for legal responsibility and economic compensation.

Sight glass - lighting

13 / 视镜灯 智能制造



国家高新技术企业 专精特新企业

Advantages



30 YEARS

30年的阀门研发与制造
More than 30 years valve and pump R&d and Manufacturing

23 YEARS

23年的高洁净泵研发与制造
More than 23 years high purity pump R&d and Manufacturing

18 YEARS

18年的阀门控制器研发与制造
More than 18 years valve controller R&d and Manufacturing

15 YEARS

15年的清洗技术研发与制造
More than 15 years Cleaning technology R&d and Manufacturing

300

300多人的专业团队
A profession team of over 300 people

200

200多项知识产权
More than 200 intellectual property rights

30

30多项国际权威认证
More than 30 international authoritative certifications

20

20多项国家与省级荣誉
More than 20 national and provincial honors certificates

超过10年研发经验
工程师队伍
We have more than 10 years experienced engineer team in R & D.

日本Mazak
CNC复合型加工中心
CNC切削中心
CNC车床
Japan Mazak
CNC compound machining center
CNC cutting center
CNC lathe

发那科《Fanuc》
全自动机器人生产线
《Fanuc》 Automatic robot
production line

高新技术企业、
省著名商标、
主任质量奖、4项发明、
200余项专利
New high-tech enterprise.
Provincial famous trademark.
Director's Quality Award.4 inventions
More than 200 patents

欧盟CE
美国3-A, FDA
中国特种制造许可证 TS
防爆认证ATEX CNEX
European Union CE certificate
USA 3-A, FDA
China Special Manufacturing
License TS
ATEX CNEX

我们能为你提供
定制化技术服务和制造,
OEM ODM
We can provide
you OEM & ODM service

领先的检测手段,
30多台专业检测设备和
50多种检测方法, 确保
每个产品性能和精度
Advanced detection method.
More than 30 pcs professional
testing equipment. More than
50 inspection ways, insure product
performance and accuracy

30 YEARS

30年洁净领域的专注
30 years of focus in the field of cleanliness

30 YEARS

30年工程应用经验与市场考验
30 years of engineering application experience and market test

三十而立正蕴含着新的力量，
未来我们将一如既往的致力于技术革新！
We Donjoy have established for 30 years, still full of
new energy, in the future we will stick to concentrate on
technology innovation

Introduction

东正创立于1993年，占地面积29000m²，注册资本1.0558亿元，员工300余人，技术团队30余人，200余项知识产权，国际权威认证30余项，国家与省级荣誉证书20余项，且拥有国际领先的加工技术和制造设备，如Mazak CNC四轴、五轴加工中心、复合型切削中心、FANUC机器人生产线以及各种国际领先的检测设备。

东正制造的产品远销全球并获得国内外用户高度好评，我们产品和技术涵盖高洁净泵、阀门控制技术、PID自控阀门、高洁净阀门、容器管道安全控制技术、容器清洗技术、容器管道照明技术、过滤技术以及高洁净管道和配件等。广泛应用于生物制药、食品饮料、酿酒、精细化工、日化洗涤、纺织印染、电池和新能源等工业领域。

Donjoy is founded in 1993, covers an area of 29,000 square meters, registered capital of 105.58 million yuan, we have more than 300 employees, we have more than 30 persons technical team, we have more than 200 intellectual property rights, we have more than 30 authoritative international certification, we have more than 20 national and provincial certifications, and has an international leader of first processing technology and manufacturing equipment, such as Mazak CNC four axis, five axis machining center, compound cutting center, FANUC robot production line and various international collar first detection equipment, etc.

The products manufactured by Donjoy are sold all over the world and are highly praised by domestic and overseas Products and technology cover high purity pump, valve control technology, PID automatic control valve, high purity valve, container pipeline safety control technology, container cleaning technology, container pipe road lighting technology, filtration technology and high purity pipes and accessories. Widely used in the biopharmaceuticals, food and beverage, wine, fine chemicals, daily chemical washing, textile printing and dyeing, battery and new energy and other industrial fields.

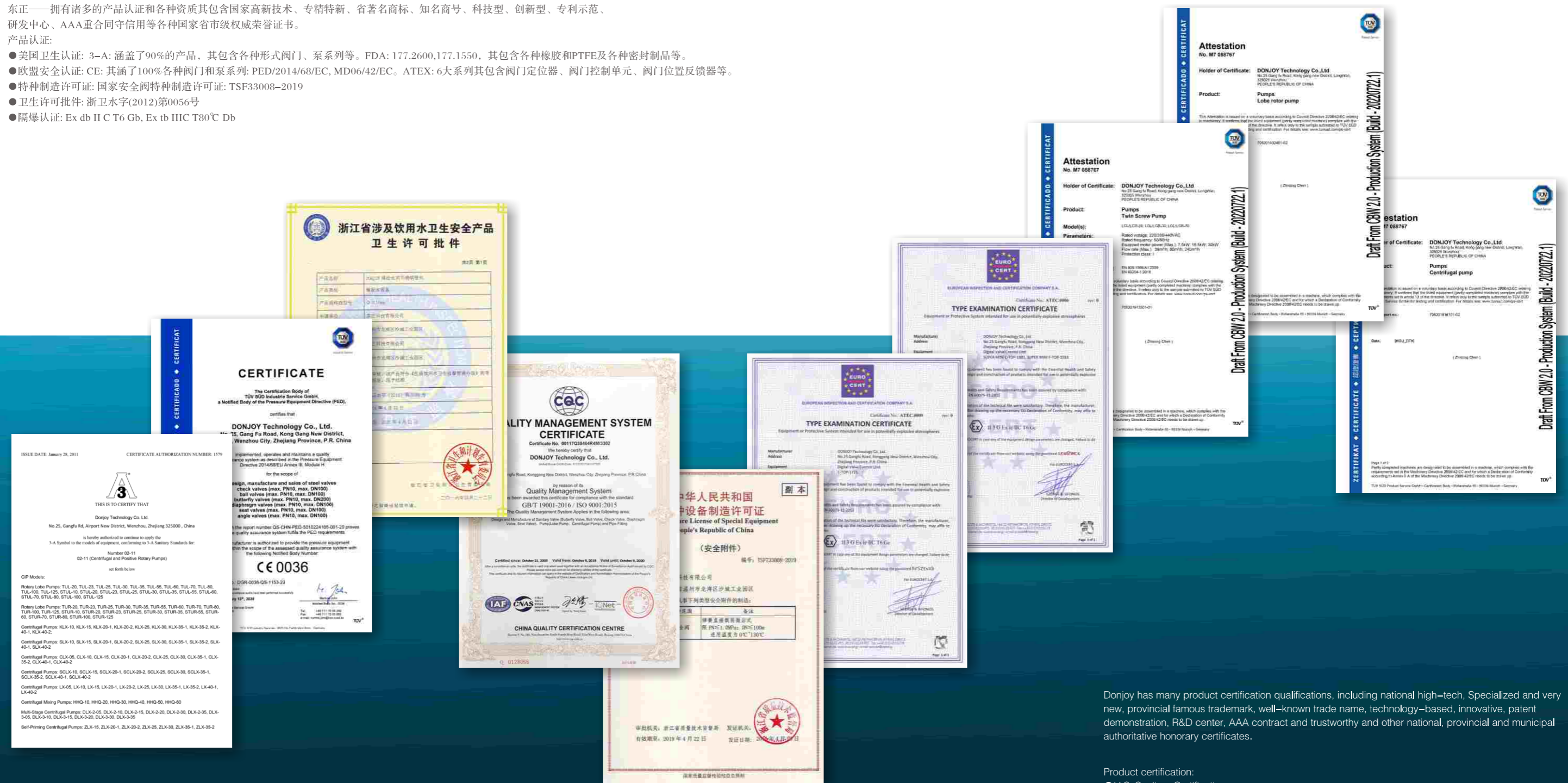


Certification

东正——拥有诸多的产品认证和各种资质其包含国家高新技术、专精特新、省著名商标、知名商号、科技型、创新型、专利示范、研发中心、AAA重合同守信用等各种国家省市级权威荣誉证书。

产品认证:

- 美国卫生认证: 3-A: 涵盖了90%的产品, 其包含各种形式阀门、泵系列等。FDA: 177.2600, 177.1550, 其包含各种橡胶和PTFE及各种密封制品等。
- 欧盟安全认证: CE: 其涵盖了100%各种阀门和泵系列: PED/2014/68/EC, MD06/42/EC。ATEX: 6大系列其包含阀门定位器、阀门控制单元、阀门位置反馈器等。
- 特种制造许可证: 国家安全阀特种制造许可证: TSF33008-2019
- 卫生许可批件: 浙卫水字(2012)第0056号
- 防爆认证: Ex db IIC T6 Gb, Ex tb IIIC T80°C Db



Donjoy has many product certification qualifications, including national high-tech, Specialized and very new, provincial famous trademark, well-known trade name, technology-based, innovative, patent demonstration, R&D center, AAA contract and trustworthy and other national, provincial and municipal authoritative honorary certificates.

- Product certification:
- U.S. Sanitary Certification
 - 3-A: Covers 90% of products, including all kinds of valves, pump, etc.
 - FDA: 177.2600, 177.1550, containing various rubber, PTFE and other sealing products.
 - EU safety certification
 - CE: covers all kinds of valves and pumps: PED/2014/68/EC, MD06/42/EC.
 - ATEX: 6 major series, including valve positioner, valve control unit, valve position feedback device, etc.
 - Special manufacturing license: National safety valve special manufacturing license: TSF33008-2019
 - Sanitation license approval document: Zhewei Shuizi (2012) No. 0056
 - Flameproof certification: Ex db IIC T6 Gb, Ex tb IIIC T80°C Db

DJ-SJ type



视镜有多种设计其包含由任视镜、卡箍由任视镜、直通视镜、四通视镜、法兰视镜、法兰卡箍视镜。

There are many designs of sight glasses, including union sight glasses, clamp union sight glasses, straight sight glasses, four-way sight glasses, flange sight glasses, flange clamp sight glasses.

产品应用

● 视镜由不锈钢结构和玻璃组成。在食品加工，化妆品，制药和精细化工工业中，可以通过它清晰并且精确的观察到物料流动。

Applications

● Sight-glass is comprised of stainless steel frame and glass. Through it, operator can observe the flowing of the liquid substance clearly and precisely in the fields of food, cosmetics, pharmaceutical and fine chemicals industries.

设计和特点

- 规格：DN25/1"到DN100/4"
- 全通径设计
- 360度观看角度
- 可以垂直或水平使用

Design and features

- Size: DN25/1" to DN100/4"
- Full bore design
- 360° viewing angle
- Can be used in vertical or horizontal position



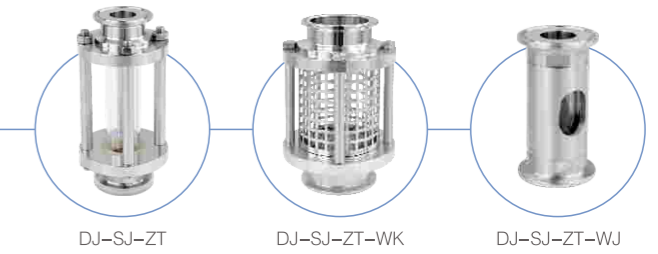
直通视镜
Straight sight glass

DJ-SJ-ZT type

Serial Number

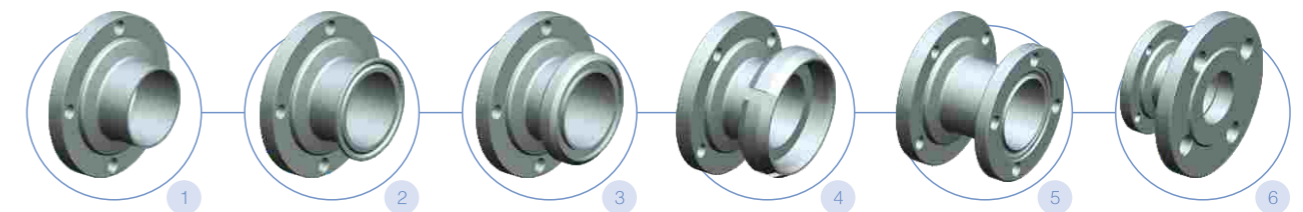
- | | |
|----------------------|---|
| DJ-SJ-ZT 基本型直通视镜 | DJ-SJ-ZT Basic straight-through sight glass |
| DJ-SJ-ZT-WK 网孔防护直通视镜 | DJ-SJ-ZT-WK straight sight glass with mesh protective |
| DJ-SJ-ZT-WJ 窗口防护直通视镜 | DJ-SJ-ZT-WJ straight sight glass with window protective |

SIZE: DN10-DN150/1/2"-6"



不同连接方式 Different Connection Methods

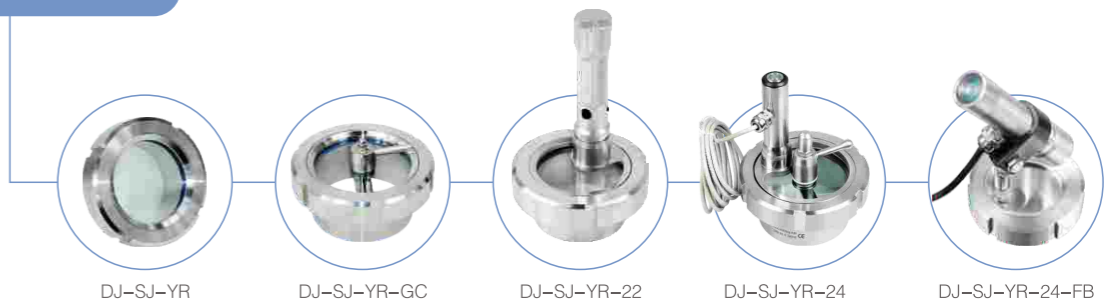
- | | | | |
|-------|---------|------------|-------------------|
| 1. 焊接 | 4. 螺母 | 1. Welding | 4. Nut |
| 2. 卡箍 | 5. 无菌法兰 | 2. Clamp | 5. Aseptic flange |
| 3. 螺纹 | 6. 法兰 | 3. Thread | 6. Flange |



由任视镜
Union sight glass

DJ-SJ-YR type

SIZE: DN25-DN150/1"-6"



Serial Number

- | | |
|-----------------------------|---|
| DJ-SJ-YR 基本型由任视镜 | DJ-SJ-YR Basic type by any sight glass |
| DJ-SJ-YR-GC 刮尘由任视镜 | DJ-SJ-YR-GC union sight glass with wiper |
| DJ-SJ-YR-22 可充电锂电池视由任视镜灯 | DJ-SJ-YR-22 union sight glass with rechargeable lithium-ion battery |
| DJ-SJ-YR-24 DC24V由任视镜灯 | DJ-SJ-YR-24 union sight glass with DC24V LED light and wiper |
| DJ-SJ-YR-24-FB DC24V由任视镜防爆灯 | DJ-SJ-YR-24-FB union sight glass with explosion-proof DC24V light |

法兰视镜
Flange sight glass

固定可升降支架
Fixed raising and falling bracket



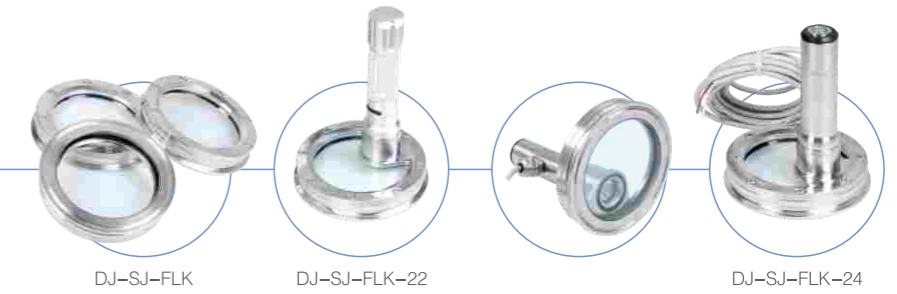
多角度灯支架
Multi-angle bracket



法兰卡箍视镜
Flange clamped sight glass

DJ-SJ-FLK type

SIZE: DN25-DN150/1"-6"



DJ-SJ-FLK

DJ-SJ-FLK-22

DJ-SJ-FLK-24

Serial Number

DJ-SJ-FLK 基本型法兰卡箍视镜
DJ-SJ-FLK-22 可充电锂电池视由任视镜灯
DJ-SJ-FLK-24 DC24V由任视镜灯

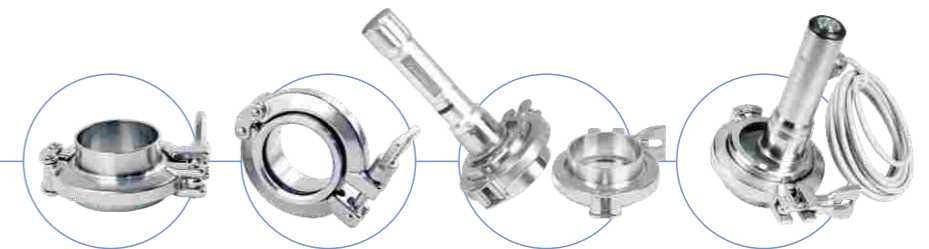
DJ-SJ-FLK Basic type flange clamped sight glass
DJ-SJ-FLK-22 flange clamped sight glass with rechargeable lithium-ion battery
DJ-SJ-FLK-24 flange clamped sight glass with DC24V LED light

法兰卡箍视镜玻璃平面和法兰完全齐平，具有无滞留、无死角。
The tempered glass of flange clamped sight glass is kept completely parallel with flange, with no retention and no dead angle.

卡箍由任视镜
Clamp union sight glass

DJ-SJ-KG type

SIZE: DN25-DN150/1"-6"



DJ-SJ-KG

DJ-SJ-KG-22

DJ-SJ-KG-24

Serial Number

DJ-SJ-KG 基本型卡箍视镜
DJ-SJ-KG-22 可充电锂电池卡箍视镜灯
DJ-SJ-KG-24 DC24V卡箍视镜灯

DJ-SJ-KG Basic type clamp sight glass
DJ-SJ-KG-22 clamped union sight glass with rechargeable lithium-ion battery
DJ-SJ-KG-24 clamped union sight glass with DC24V LED light

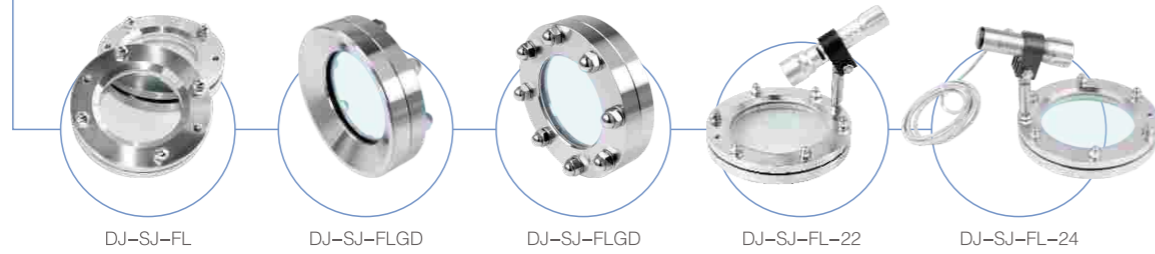
卡箍视镜完全与标准的卡箍接头匹配，安装极其简单。
The clamp sight glass is completely matched with standard clamp ferrule, and the installation is extremely simple.

视镜 Sight glass

法兰视镜 Flange sight glass

DJ-SJ-FL type

SIZE: DN25-DN300/1"-12"



Serial Number

DJ-SJ-FL 基本型法兰视镜

DJ-SJ-FL-22 可充电锂电池法兰视镜灯

DJ-SJ-FL-24 DC24V法兰视镜灯

DJ-SJ-FL Basic type flange sight glass

DJ-SJ-FL-22 flange sight glass with rechargeable lithium-ion battery

DJ-SJ-FL-24 flange sight glass with DC24V LED light

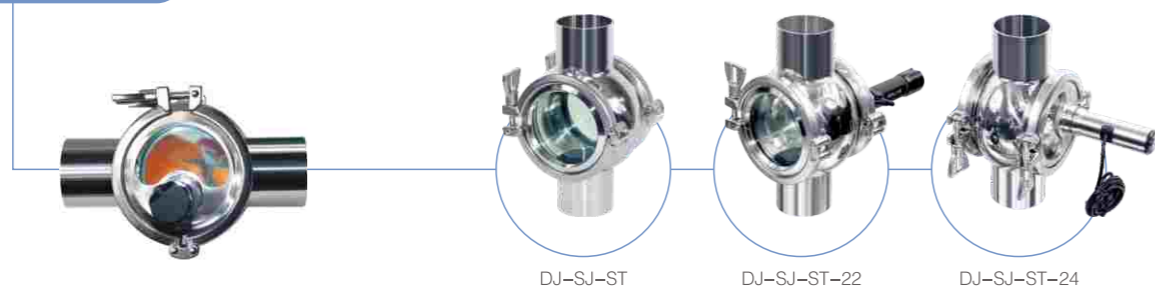
法兰视镜具有20bar压力等级。

The pressure rating of flange sight glass is 20bar.

四通视镜 Four-way sight glass

DJ-SJ-ST type

SIZE: DN25-DN100/1"-4"



Serial Number

DJ-SJ-ST 基本型四通视镜

DJ-SJ-ST-22 可充电锂电池四通视镜灯

DJ-SJ-ST-24 DC24V四通视镜灯

DJ-SJ-ST Basic type four way sight glass

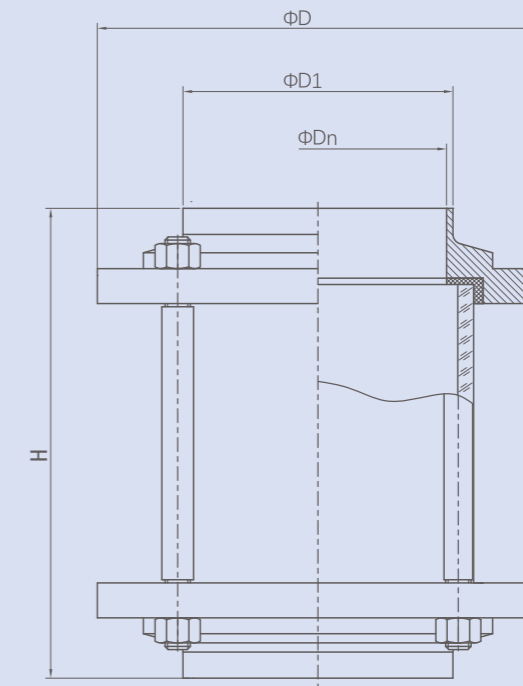
DJ-SJ-ST-22 4-way sight glass with rechargeable lithium-ion battery

DJ-SJ-ST-24 4-way sight glass with DC24V LED light

四通视镜具有无死角、无滞留。

The four way sight glass with no dead angle and no retention.

焊接式直通视镜数据图



NO.VSJ100N1

INCH焊接式直通视镜					INCH焊接式直通视镜				
SIZE	D1	Dn	H	D	SIZE	D1	Dn	H	D
1/2"	12.7	9.4	140	78	DN10	13	10	140	78
3/4"	19.1	15.8	140	78	DN15	18	15	140	78
1"	25.4	22.4	140	78	DN20	22	19	140	78
1 1/4"	31.8	28.8	140	78	DN25	28	25	140	78
1 1/2"	38.1	35.1	140	86	DN32	34	31	140	86
2"	50.8	47.8	142	102	DN40	40	37	140	90
2 1/2"	63.5	59.5	146	115	DN50	52	49	142	102
3"	76.2	72.2	146	124	DN65	70	66	146	124
3 1/2"	89	85	150	139	DN80	85	81	150	139
4"	101.6	97.6	156	154	DN100	104	100	156	154
5"	127	122.8	170	185	DN125	129	125	170	185
6"	152.4	146.8	180	215	DN150	154	150	180	215

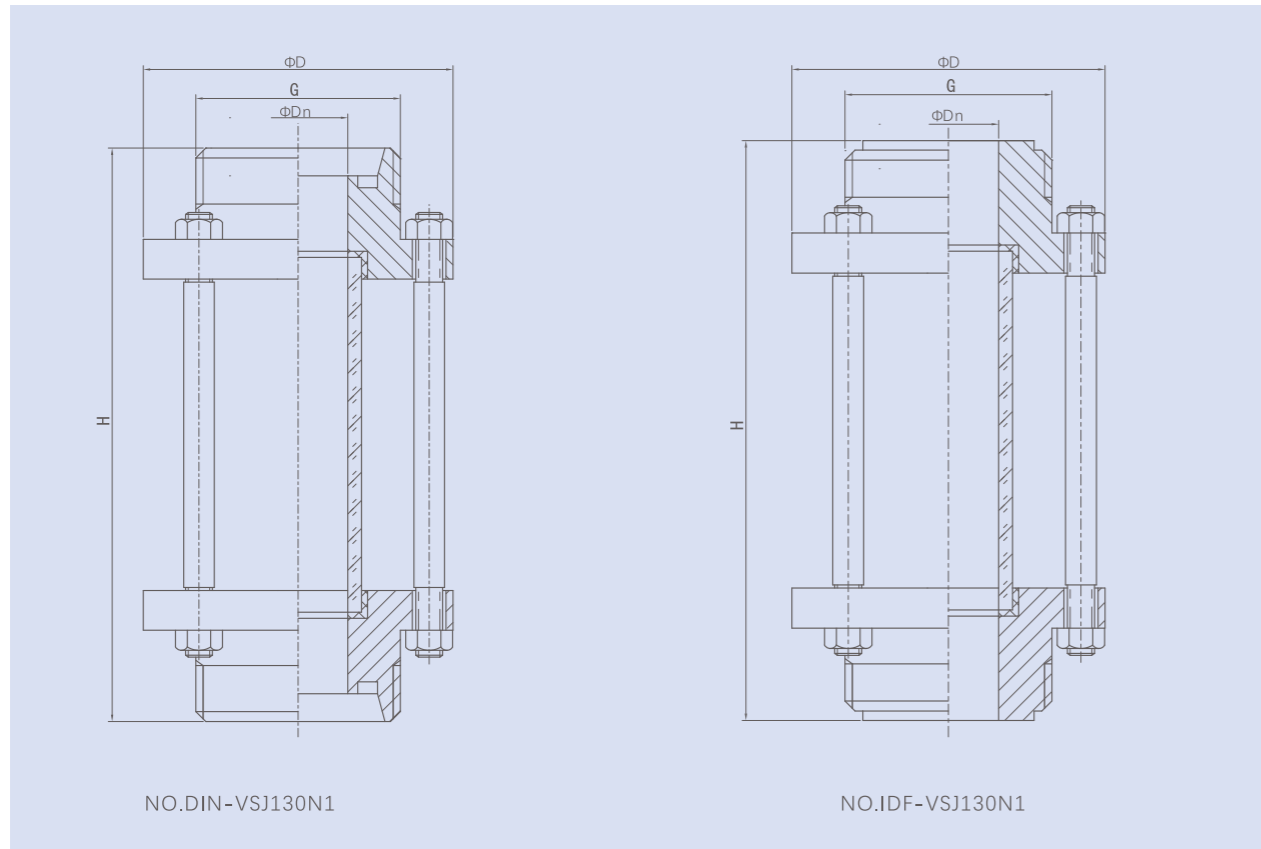
注意：以上数据图相关尺寸不作为实物最终依据，东正保留对于数据更新权限不再另行通知。

Note: The relevant dimensions of the above data diagrams are not regarded as the final basis of the actual object. Dongzheng reserves the right to update the data without further notice.

视镜与照明

Sight glass and lighting

螺纹式直通视镜数据图

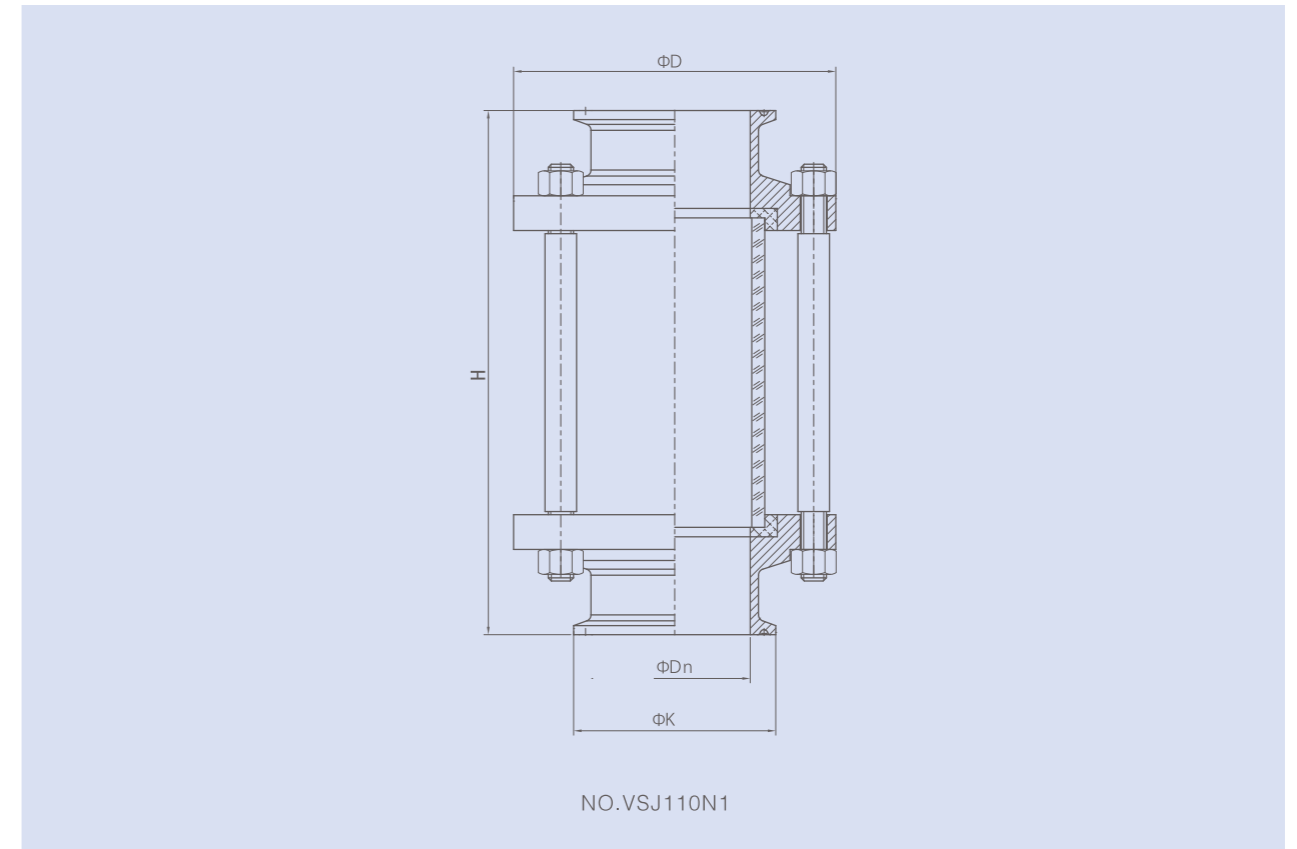


DIN螺纹					ISO/IDF螺纹式直通视镜				
SIZE	Dn	G	H	D	SIZE	Dn	G	H	D
DN10	10	Rd28X1/8	156	78	1"	22.4	37.1x1/8Acme	162	78
DN15	15	Rd33.5X1/8	156	78	1 1/2"	35.1	50.6x1/8Acme	166	86
DN20	19	Rd43.5X1/6	156	78	2"	47.8	64.1x1/8Acme	172	102
DN25	25	Rd51.5X1/6	156	78	2 1/2"	59.5	77.6x1/8Acme	176	115
DN32	31	Rd57.5X1/6	160	86	3"	72.2	91.1x1/8Acme	180	128
DN40	37	Rd64.5X1/6	164	90	4"(ISO)	97.6	118.2x1/8Acme	202	154
DN50	49	Rd77.5X1/6	166	106	4"(IDF)	97.6	125.9x1/6Acme	202	154
DN65	66	Rd94.5X1/6	170	124					
DN80	81	Rd109.2X1/4	174	139					
DN100	100	Rd129.2X1/4	196	159					
DN125	125	Rd159.2X1/4	220	185					
DN150	150	Rd189.2X1/4	240	215					

视镜耐压数据表

INCH	1"	1 1/4"	1 1/2"	2"	2 1/2"	3"	4"	5"	6"
DIN	DN25	DN32	DN40	DN50	DN65	DN80	DN100	DN125	DN150
最大操作压力(bar)	10	10	10	8	8	8	8	6	6

卡箍式直通视镜数据图



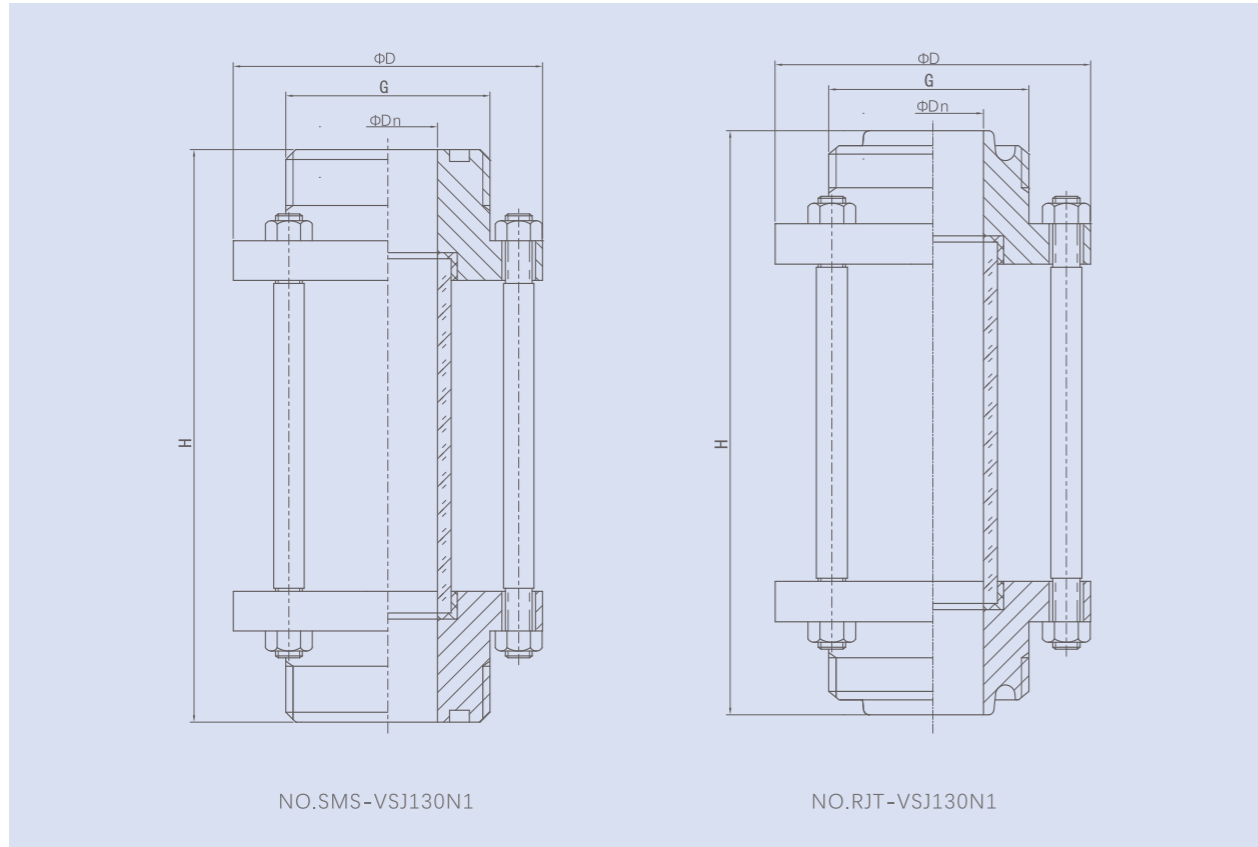
INCH卡箍式直通视镜					INCH卡箍式直通视镜				
SIZE	Dn	K	H	D	SIZE	Dn	K	H	D
1/2"	9.4	25	156	78	DN10	10	34	156	78
3/4"	15.8	25	156	78	DN15	15	34	156	78
1"	22.4	50.5	156	78	DN20	19	34	156	78
1 1/4"	28.8	50.5	156	78	DN25	25	50.5	156	78
1 1/2"	35.1	50.5	160	86	DN32	31	50.5	156	86
2"	47.8	64	166	102	DN40	37	50.5	160	90
2 1/2"	59.5	77.5	170	115	DN50	49	64	166	102
3"	72.2	91	174	124	DN65	66	91	174	124
3 1/2"	85	106	174	139	DN80	81	106	174	139
4"	97.6	119	196	154	DN100	100	119	196	154
5"	122.8	144.4	212	185	DN125	125	144.4	212	185
6"	146.8	167	236	215	DN150	150	167	236	215

注意：以上数据图相关尺寸不作为实物最终依据，东正保留对于数据更新权限不再另行通知。
 Note: The relevant dimensions of the above data diagrams are not regarded as the final basis of the actual object. Dongzheng reserves the right to update the data without further notice.

视镜与照明

Sight glass and lighting

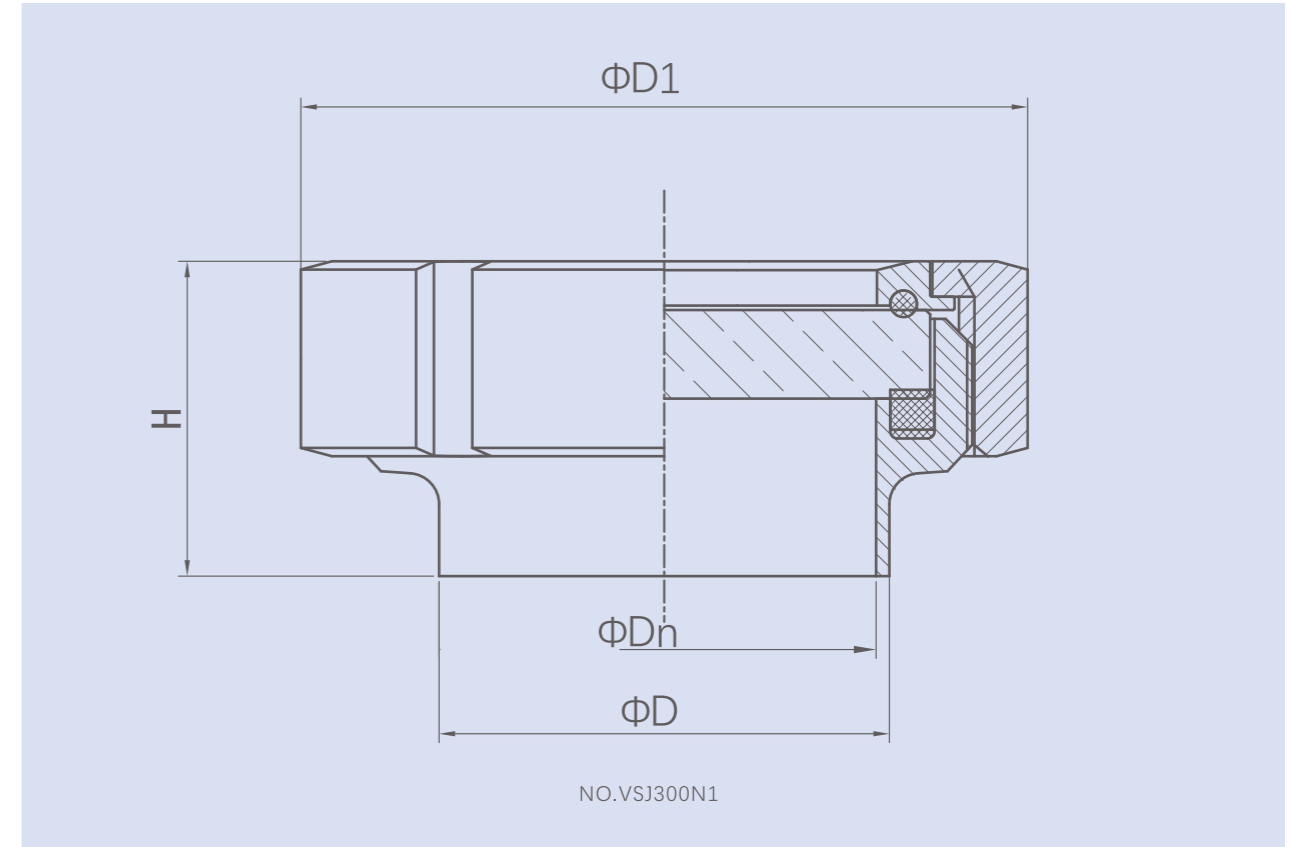
螺纹式直通视镜数据图



SMS螺纹式直通视镜					RJT螺纹式直通视镜				
SIZE	Dn	G	H	D	SIZE	Dn	G	H	D
3/4"	16	Rd35.5X1/8	156	78	1"	22.2	45.7x1/8TWHIT	170	78
1"	22.4	Rd39.5X1/6	156	78	1 1/2"	34.9	58.4x1/8TWHIT	170	86
1 1/4"	28.8	Rd47.5X1/6	156	78	2"	47.6	72.7x1/6TWHIT	174	102
1 1/2"	35.1	Rd59.5X1/6	160	86	2 1/2"	60.3	85.4x1/6TWHIT	174	115
2"	47.8	Rd69.5X1/6	166	102	3"	73.0	98.1x1/6TWHIT	174	128
2 1/2"	59.5	Rd84.5X1/6	170	115	4"	97.5	123.8x1/6TWHIT	196	154
3"	72.2	Rd97.2X1/6	174	128					
3 1/2"	85	Rd104.2X1/6	176	139					
4" (小)	97.6	Rd124.2X1/4	198	154					
4" (大)	97.6	Rd131.2X1/6	198	159					

注意：以上数据图相关尺寸不作为实物最终依据，东正保留对于数据更新权限不再另行通知。
 Note: The relevant dimensions of the above data diagrams are not regarded as the final basis of the actual object. Dongzheng reserves the right to update the data without further notice.

由任视镜数据图

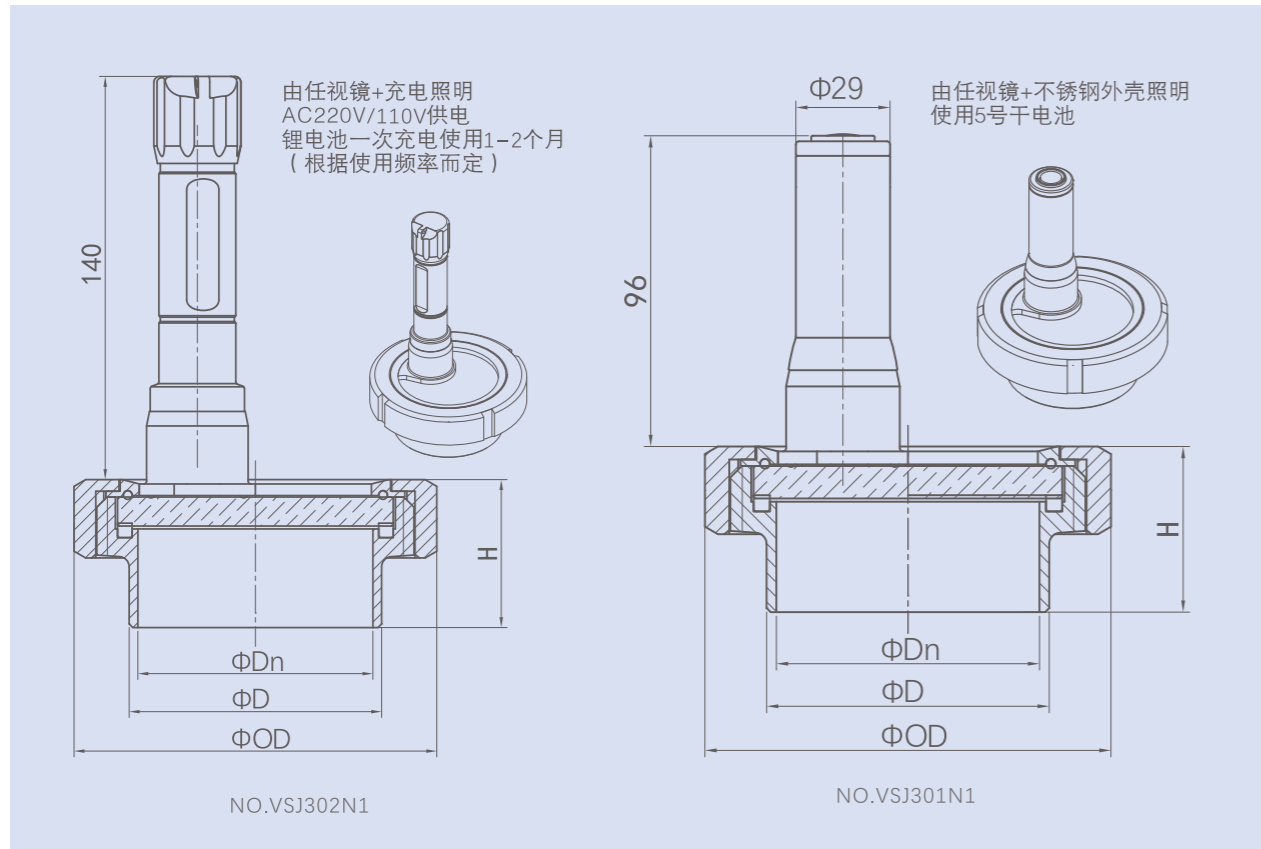


INCH卡箍式直通视镜					INCH卡箍式直通视镜				
SIZE	D	Dn	D1	H	SIZE	D	Dn	D1	H
DN25	28	25	63	27	1"	28	25	63	27
DN32	34	31	70	25.5	1 1/4"	34	31	70	25.5
DN40	40	37	78	25.5	1 1/2"	40	37	78	25.5
DN50	52	49	92	27.5	2"	52	49	91	27.5
DN65	70	66	110	28.5	2 1/2"	70	66	110	28.5
DN80	85	81	125	31	3"	85	81	125	31
DN100	104	100	146	36	3 1/2"	104	100	146	36
DN125	129	125	178	40	4"	129	125	178	40
DN150	154	150	210	46	6"	154	150	210	46

注意：以上数据图相关尺寸不作为实物最终依据，东正保留对于数据更新权限不再另行通知。
 Note: The relevant dimensions of the above data diagrams are not regarded as the final basis of the actual object. Dongzheng reserves the right to update the data without further notice.

视镜与照明 Sight glass and lighting

由任视镜带灯数据图



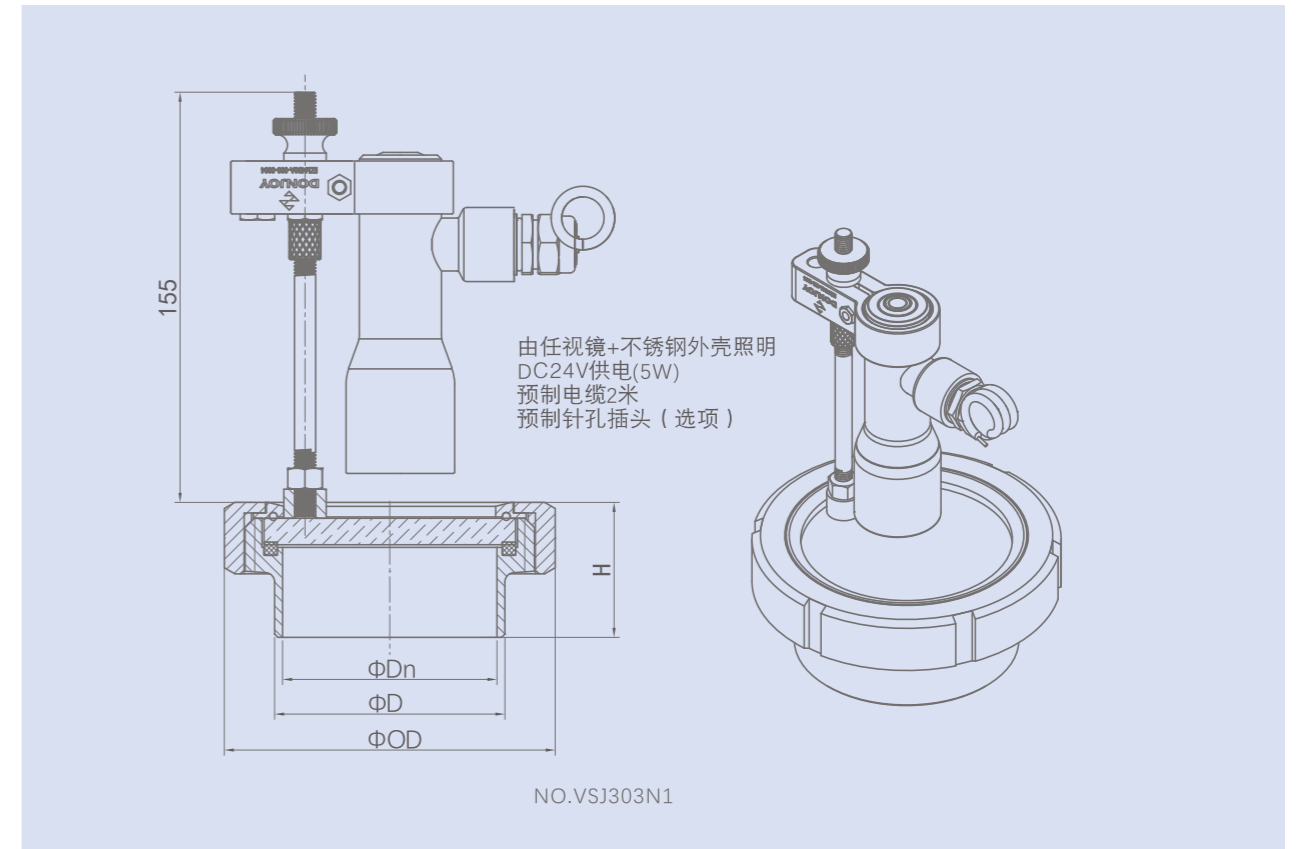
DIN由任视镜带灯

SIZE	D	Dn	OD	H
DN50	55	49	92	41.5
DN65	75	66	110	45.5
DN80	87	81	125	51
DN100	106	100	146	62
DN125	132	125	178	56
DN150	157	150	210	61

INCH由任视镜带灯

SIZE	D	Dn	OD	H
2"	50.8	47.8	82	31
2 1/2"	63.5	59.5	97	33.5
3"	76.2	72.2	111	35.5
3 1/2"	89	81	118	32
4"	101.6	97.6	138	38
6"	152.4	146.8	210	61

由任视镜带灯数据图



DIN由任视镜带灯

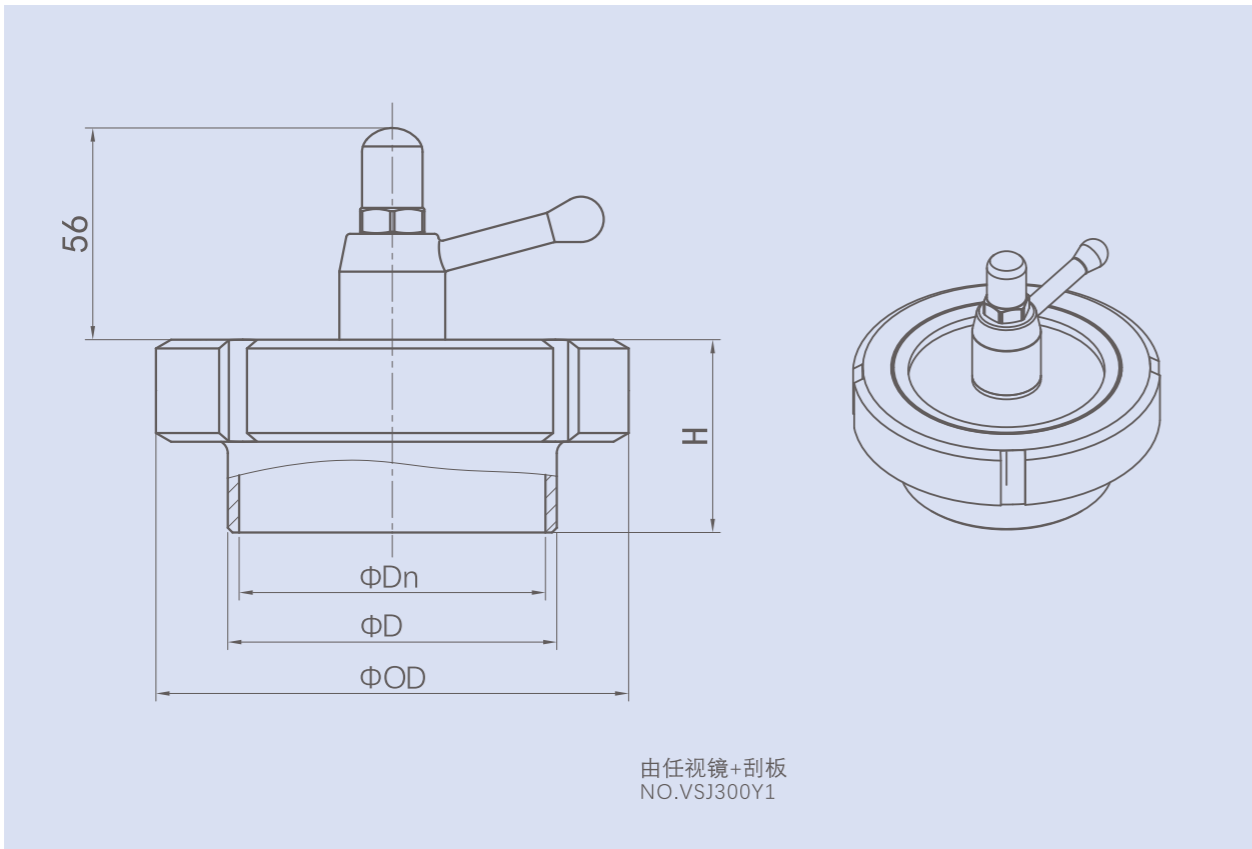
SIZE	D	Dn	OD	H
DN50	55	49	92	41.5
DN65	75	66	110	45.5
DN80	87	81	125	51
DN100	106	100	146	62
DN125	132	125	178	56
DN150	157	150	210	61

INCH由任视镜带灯

SIZE	D	Dn	OD	H
2"	50.8	47.8	82	31
2 1/2"	63.5	59.5	97	33.5
3"	76.2	72.2	111	35.5
3 1/2"	89	81	118	32
4"	101.6	97.6	138	38
6"	152.4	146.8	210	61

视镜与照明 Sight glass and lighting

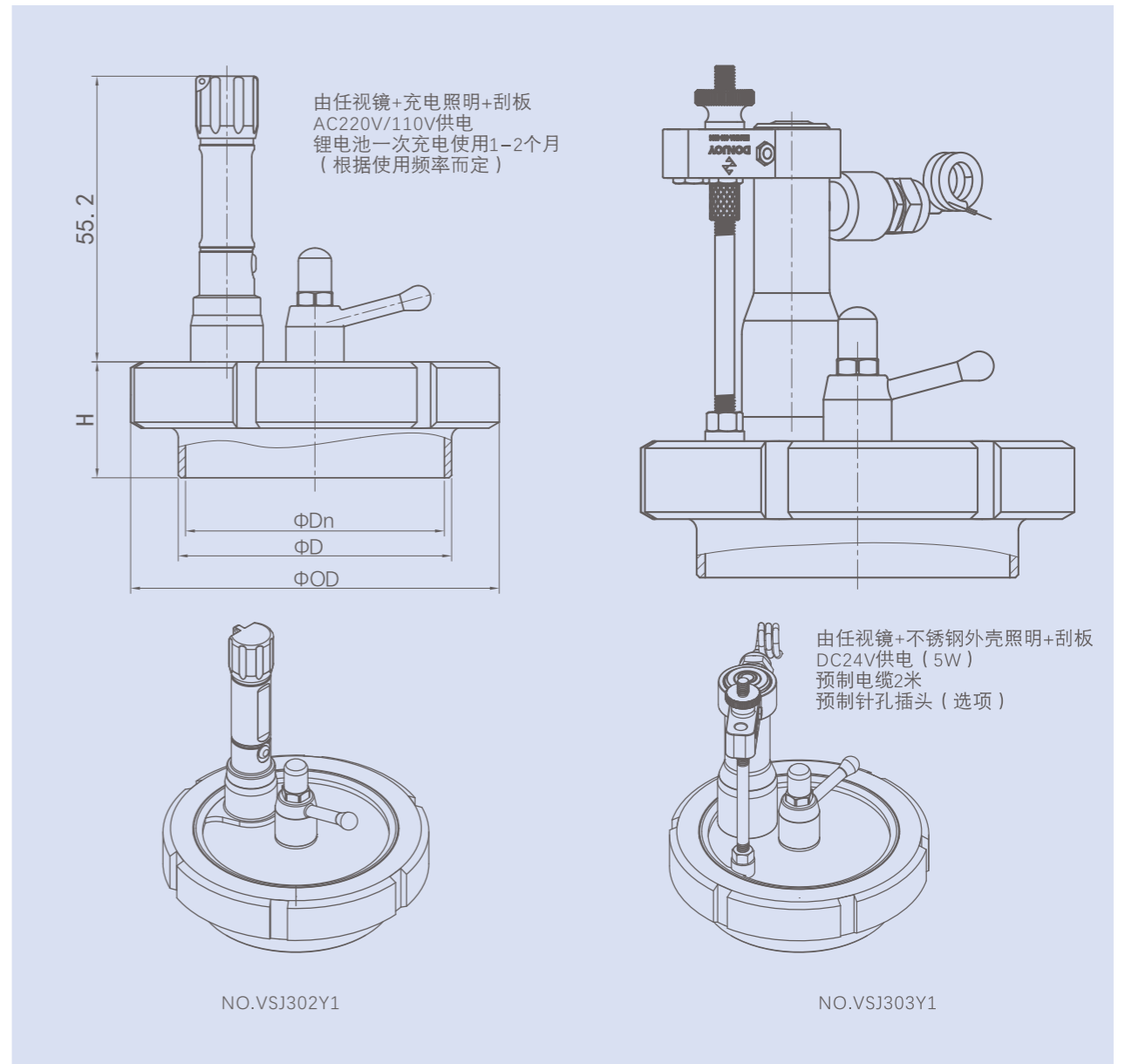
由任视镜带刮板数据图



DIN由任视镜带灯									
SIZE	D	Dn	OD	H	SIZE	D	Dn	OD	H
DN50	55	49	92	41.5	2"	50.8	47.8	82	31
DN65	72	66	110	45.5	2 1/2"	63.5	59.5	97	33.5
DN80	87	81	125	51	3"	76.2	72.2	111	35.5
DN100	106	100	146	62	3 1/2"	89	81	118	32
DN125	132	125	178	56	4"	101.6	97.6	138	38
DN150	157	150	210	61	6"	152.4	146.8	210	61

注意：以上数据图相关尺寸不作为实物最终依据，东正保留对于数据更新权限不再另行通知。
Note: The relevant dimensions of the above data diagrams are not regarded as the final basis of the actual object. Dongzheng reserves the right to update the data without further notice.

由任视镜带灯带刮板数据图

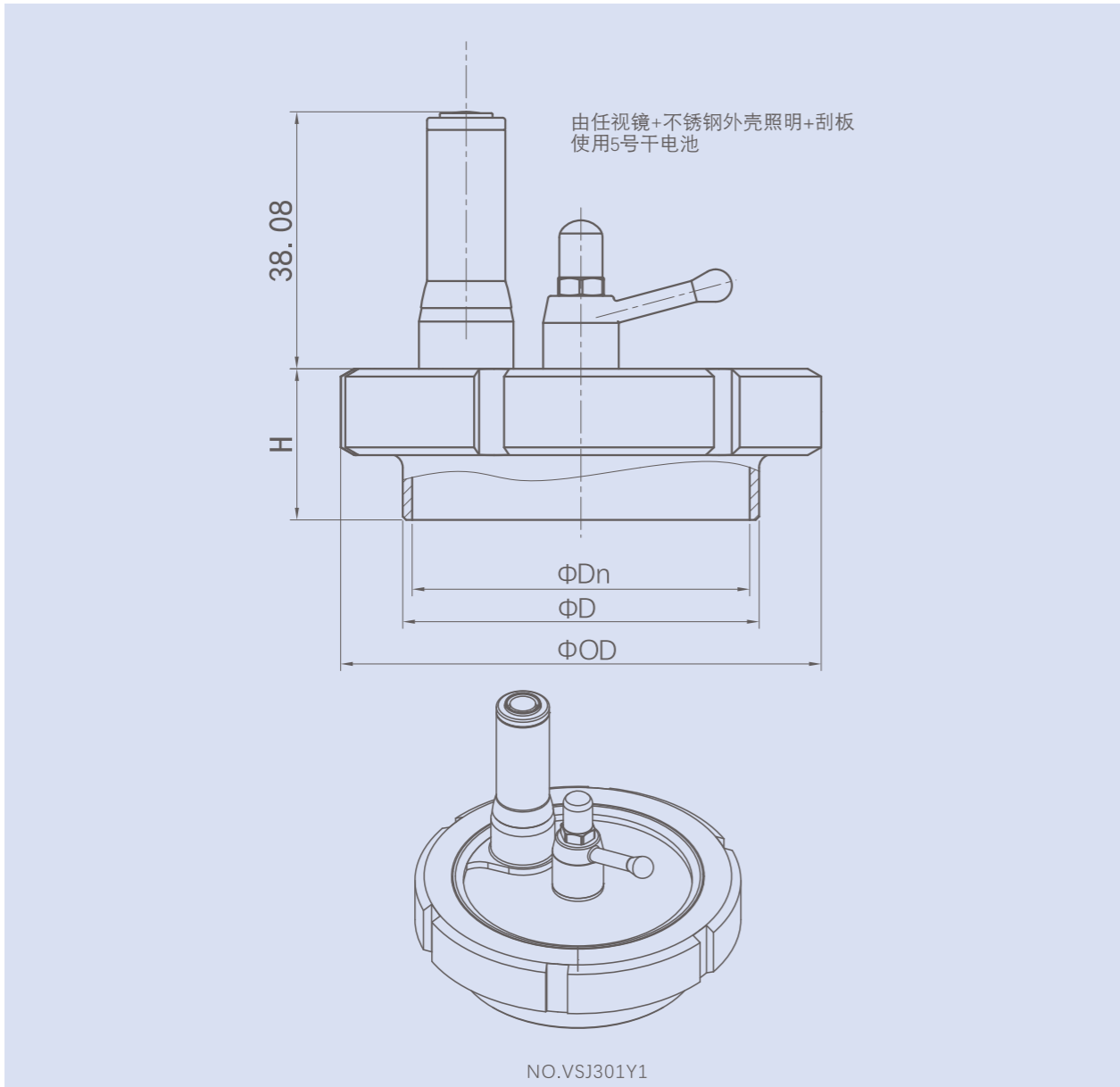


DIN由任视镜（带灯+带刮板）				INCH由任视镜（带灯+带刮板）			
SIZE	D	OD	H	SIZE	D	OD	H
DN125	132	178	56	6"	152.4	210	61
DN150	157	210	61				

注意：以上数据图相关尺寸不作为实物最终依据，东正保留对于数据更新权限不再另行通知。
Note: The relevant dimensions of the above data diagrams are not regarded as the final basis of the actual object. Dongzheng reserves the right to update the data without further notice.

视镜与照明 Sight glass and lighting

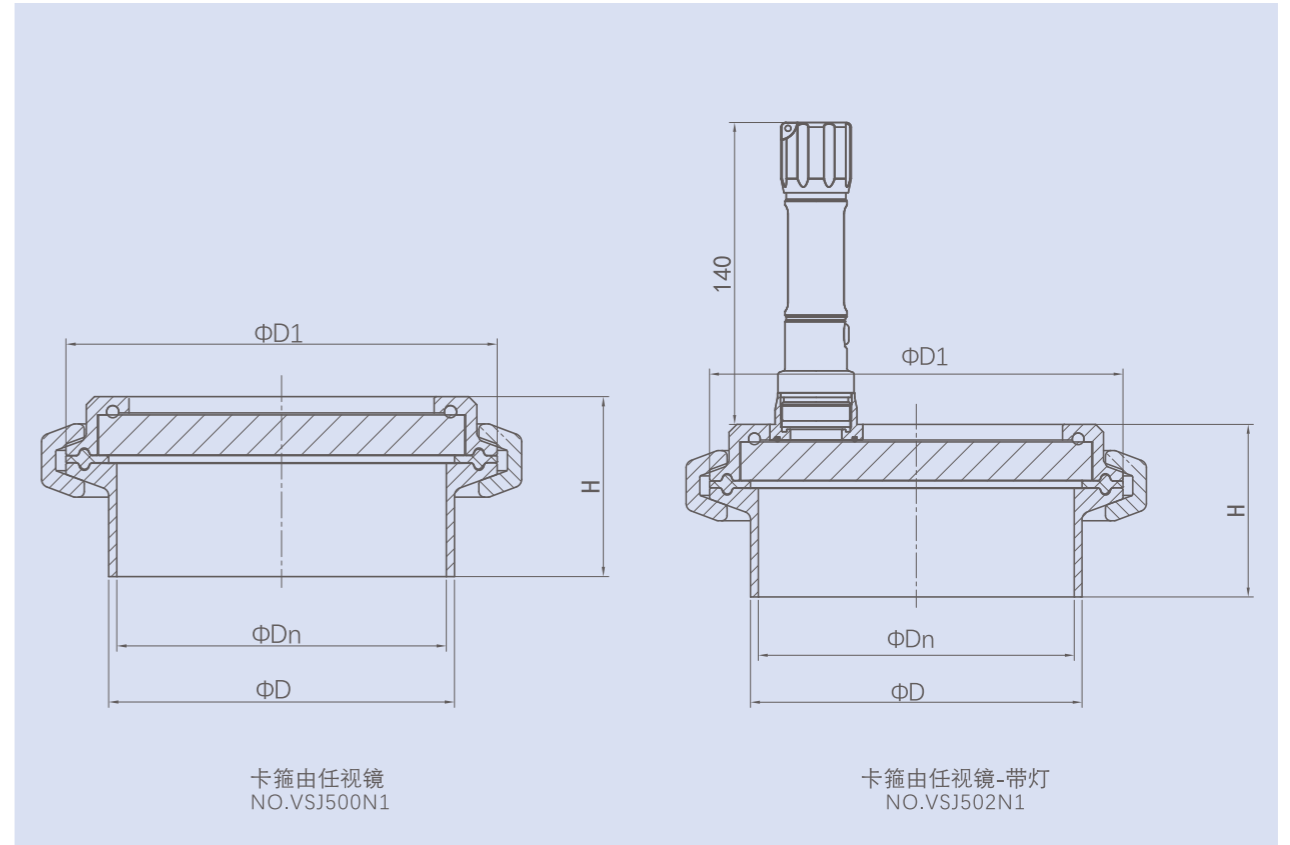
由任视镜带灯带刮板数据图



DIN由任视镜 (带灯+带刮板)				INCH由任视镜 (带灯+带刮板)			
SIZE	D	OD	H	SIZE	D	OD	H
DN125	132	178	56	6"	152.4	210	61
DN150	157	210	61				

注意：以上数据图相关尺寸不作为实物最终依据，东正保留对于数据更新权限不再另行通知。
Note: The relevant dimensions of the above data diagrams are not regarded as the final basis of the actual object. Dongzheng reserves the right to update the data without further notice.

卡箍由任视镜数据图

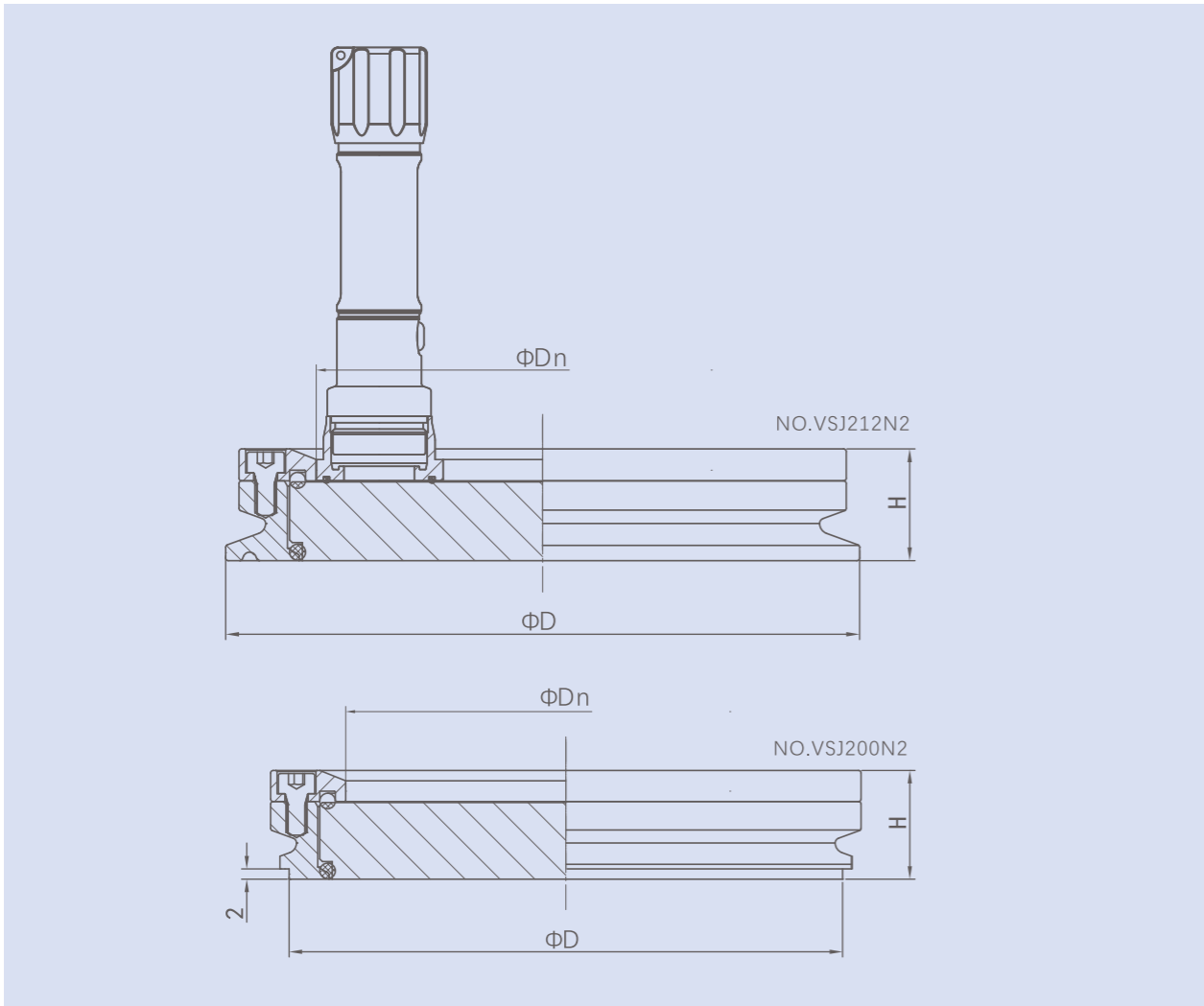


DIN					INCH				
SIZE	D	Dn	D1	H	SIZE	D	Dn	D1	D
DN40	40	37	50.5	36.5	1 1/2"	38.1	34.8	50.5	36.5
DN50	52	49	64	36.5	2"	50.8	47.5	64	36.5
DN65	70	66	91	44	2 1/2"	63.5	60.2	77.5	37.5
DN80	85	81	106	44	3"	76.2	72.9	91	37.5
DN100	104	100	119	46	4"	101.6	97.4	119	39.5
DN125	129	125	144.5	46	5"	127	122.8	144.5	46.5
DN150	154	150	183	49	6"	152.4	146.8	167	49.5
DN200	204	200	233.5	58.5	8"	203.2	197.6	217	59.3
					10"	254	247.2	268	59.3

卡箍由任视镜带灯，灯的选择参考由任视镜带灯数据图

注意：以上数据图相关尺寸不作为实物最终依据，东正保留对于数据更新权限不再另行通知。
Note: The relevant dimensions of the above data diagrams are not regarded as the final basis of the actual object. Dongzheng reserves the right to update the data without further notice.

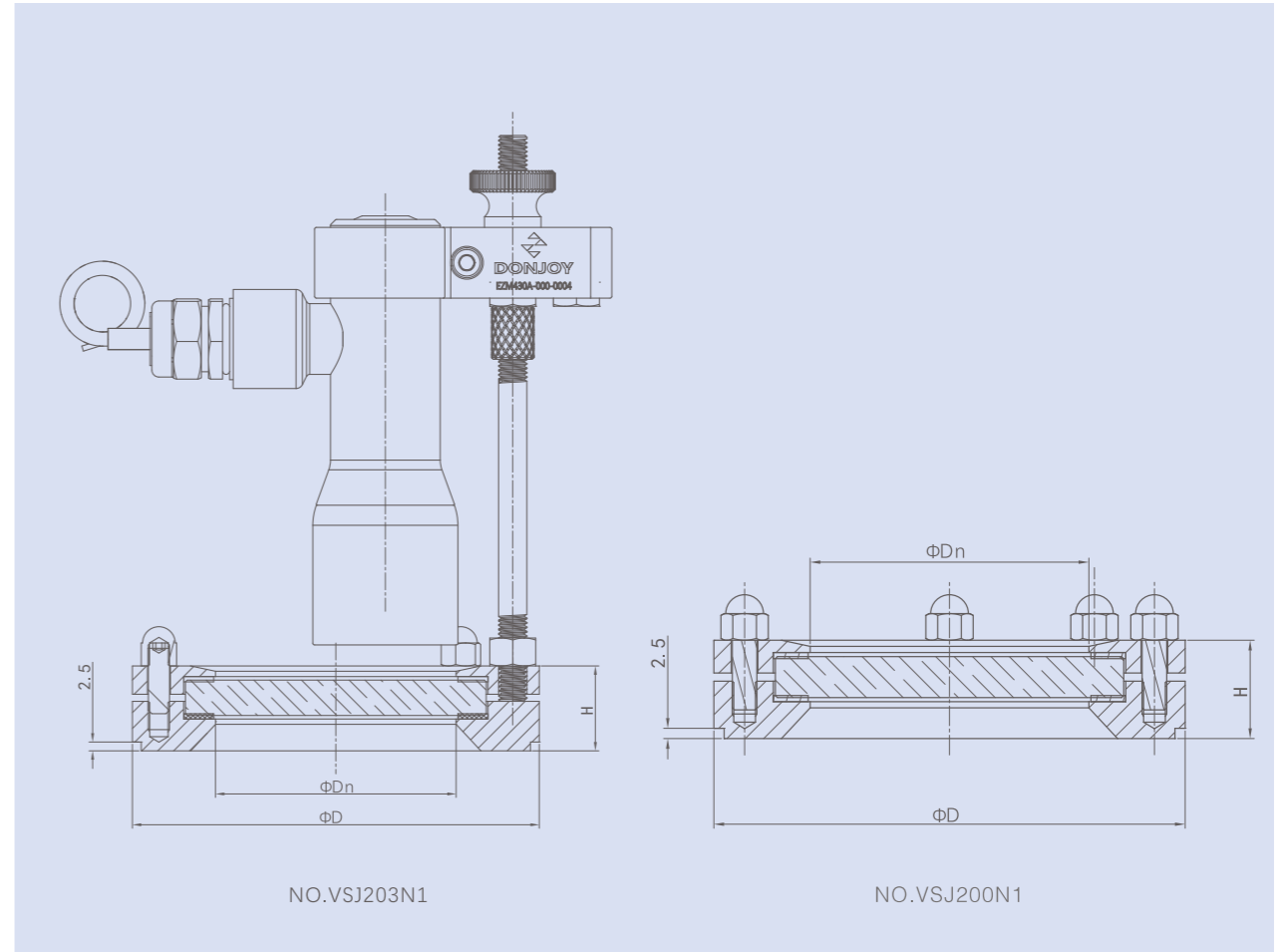
2017款法兰视镜数据图



2017款法兰视镜-卡箍式				2017款法兰视镜-焊接式			
SIZE	D	Dn	H	SIZE	D	Dn	H
3"	91	55	21	3"	80	55	21
3.5"	106	70	21	3.5"	93	70	21
4"	119	85	21	4"	106	85	21
5"	145	100	22	5"	130	100	22
6"	167	125	27	6"	151	125	27
8"	217	170	27.5	8"	200	170	27.5

注意：以上数据图相关尺寸不作为实物最终依据，东正保留对于数据更新权限不再另行通知。
Note: The relevant dimensions of the above data diagrams are not regarded as the final basis of the actual object. Dongzheng reserves the right to update the data without further notice.

法兰视镜（老款）数据图



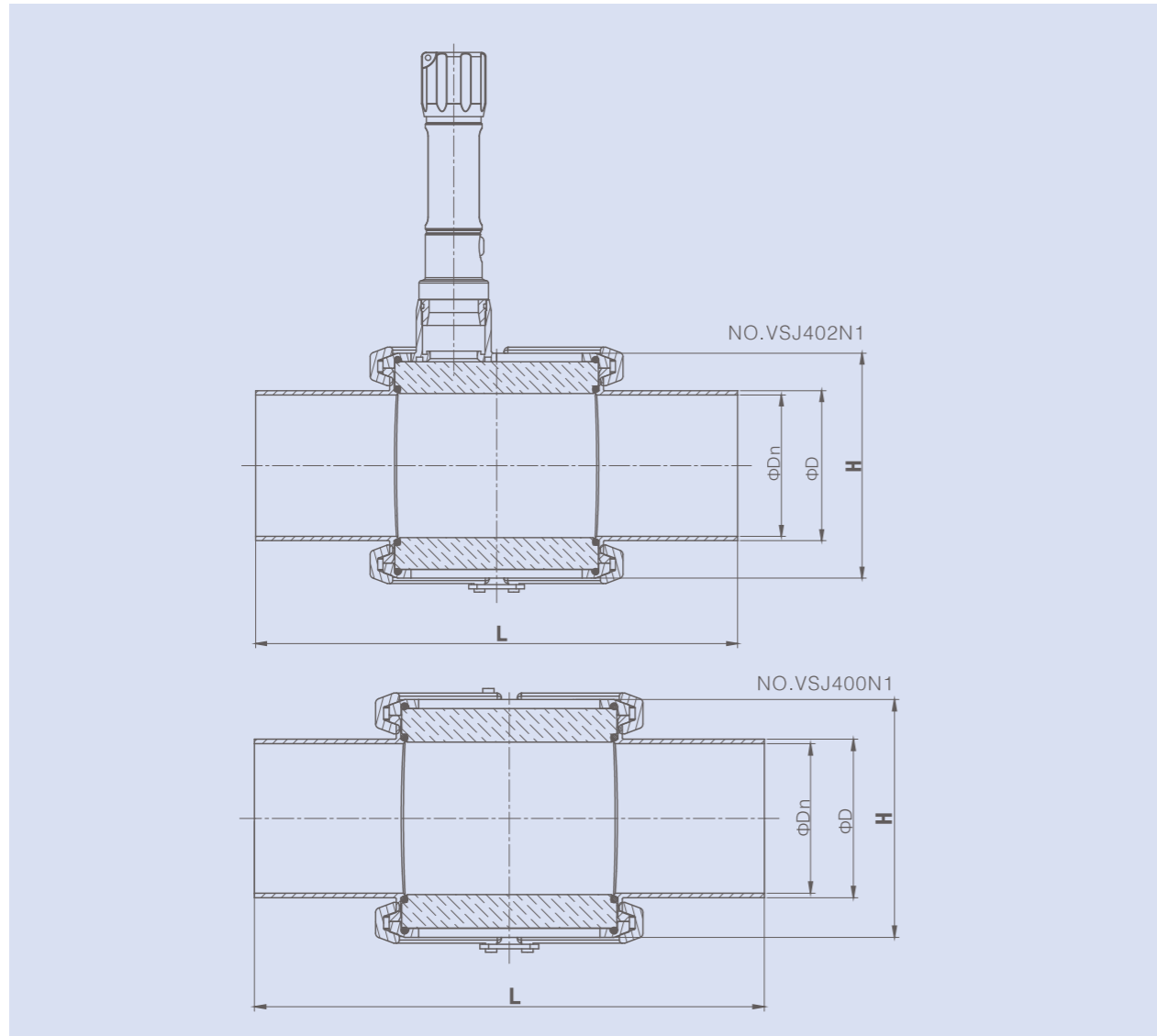
法兰式视镜

SIZE	D	Dn	H
DN40	115	68	24
DN50	140	78	28
DN65/DN80	155	98	28
DN100	190	128	29
DN125	224	154	32
DN150	250	183	40
DN200/DN250	310	233	44
DN300	360	280	44

法兰视镜带灯，灯的选择参考多角度照明视镜灯数据图

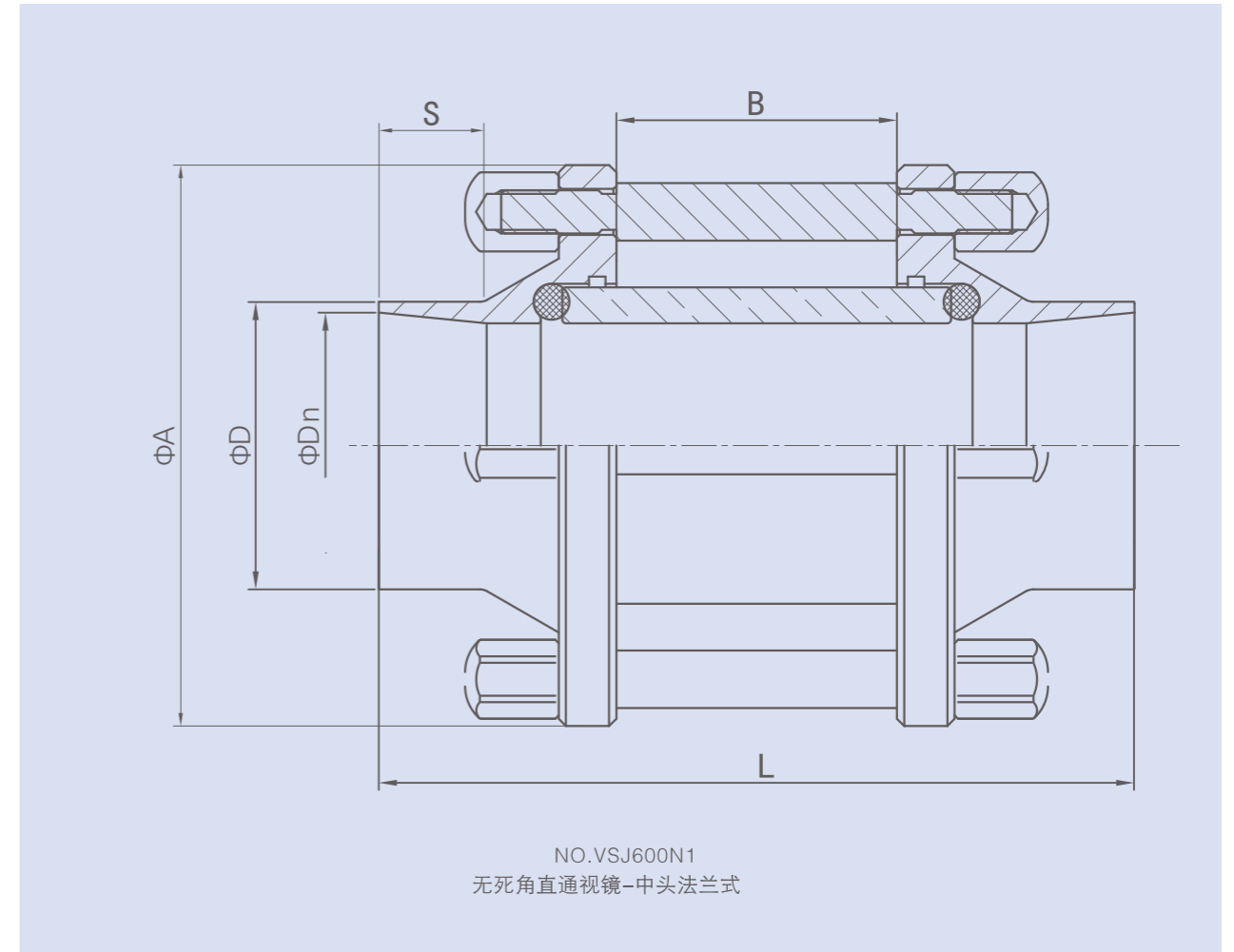
注意：以上数据图相关尺寸不作为实物最终依据，东正保留对于数据更新权限不再另行通知。
Note: The relevant dimensions of the above data diagrams are not regarded as the final basis of the actual object. Dongzheng reserves the right to update the data without further notice.

球形四通视镜数据图



DIN球形四通视镜					INCH球形四通视镜				
SIZE	D	Dn	H	L	SIZE	D	Dn	H	L
DN25	28	25	61.4	150	1"	25.4	22.4	61.4	150
DN32	34	31	67.8	150	1 1/4"	31.8	28.8	67.8	150
DN40	40	37	74.1	165	1 1/2"	38.1	35.1	74.1	165
DN50	52	49	86.8	165	2"	50.8	47.8	86.8	165
DN65	70	66	105	225	2 1/2"	63.5	59.5	98.5	215
DN80	85	81	120	250	3"	76.2	72.2	111.2	230
DN100	104	100	136.6	300	3 1/2"	89	85	124	250
					4"	101.6	97.6	136.6	300

无死角直通视镜数据图

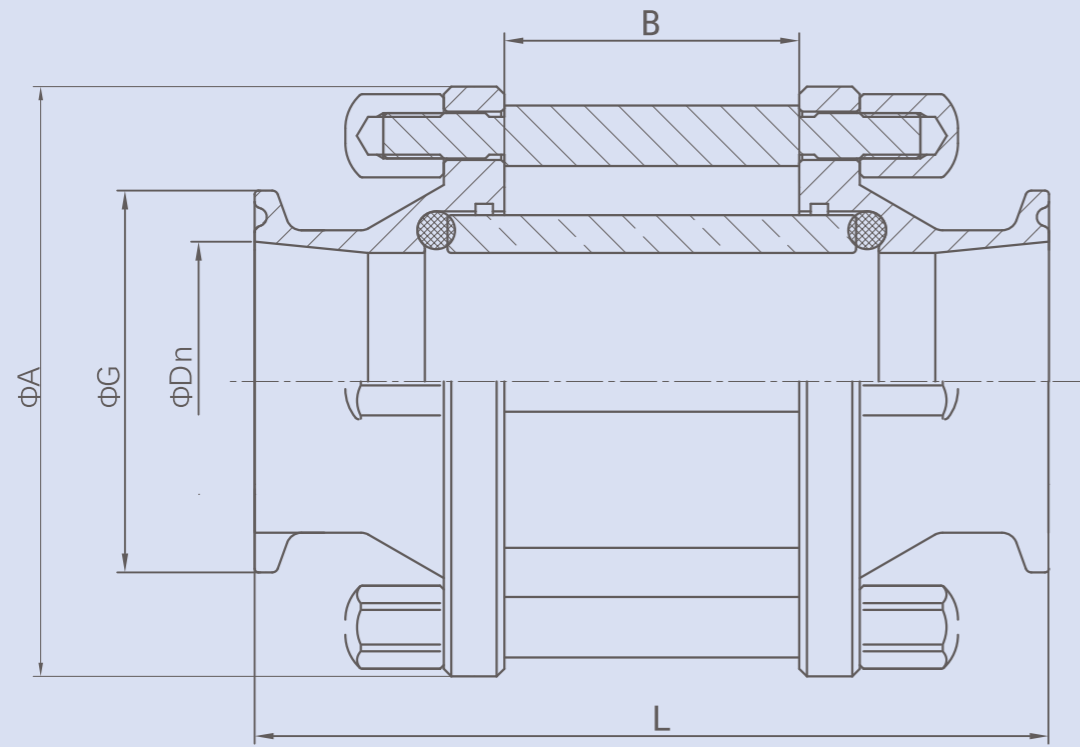


无死角直通视镜-中头法兰式

SIZE	D	Dn	L	S	A	B	G
1"	25.4	22.4	105	15.5	62	39	50.5
1 1/4"	31.8	28.8	105	17	70	39	50.5
1 1/2"	38.1	35.1	105	14	78	39	50.5
2"	50.8	47.8	140	27	90	49	64
2 1/2"	63.5	59.5	151	25	104	67	77.5
3"	76.2	72.2	181	24	124	83	91
4"	101.6	97.6	184.5	20	157	83	119

注意：以上数据图相关尺寸不作为实物最终依据，东正保留对于数据更新权限不再另行通知。
Note: The relevant dimensions of the above data diagrams are not regarded as the final basis of the actual object. Dongzheng reserves the right to update the data without further notice.

无死角直通视镜数据图



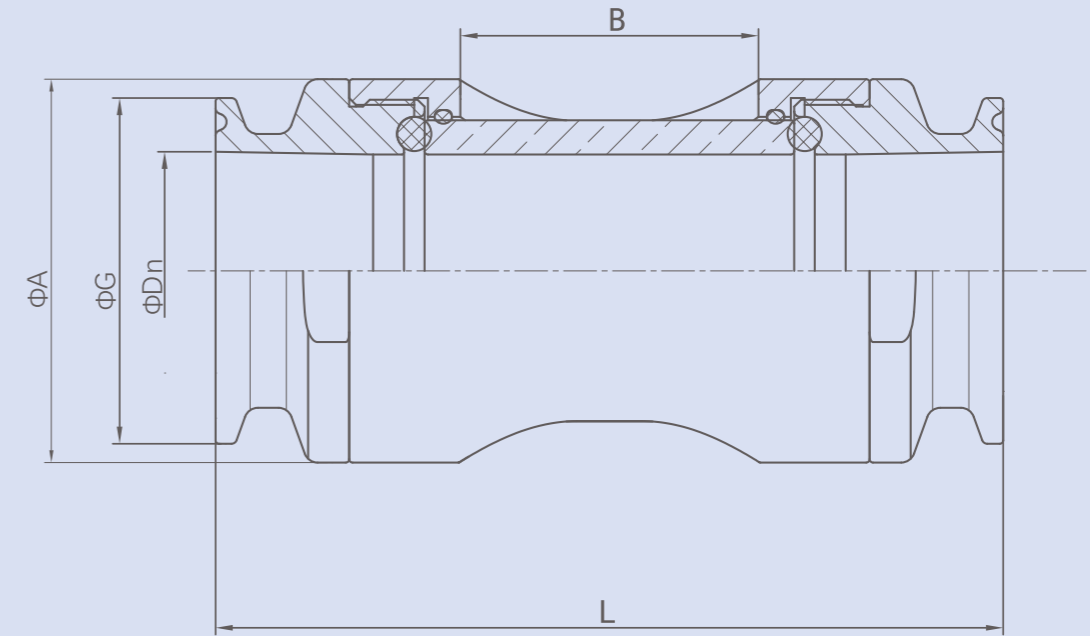
NO.VSJ610N1
无死角直通视镜-中头法兰式

无死角直通视镜-中头法兰式

SIZE	D	Dn	L	S	A	B	G
DN25	28	25	105	15.5	62	39	50.5
DN32	34	31	105	17	70	39	50.5
DN40	40	37	105	14	78	39	50.5
DN50	52	49	140	27	90	49	64
DN65	70	66	151	25	104	67	91
DN80	85	81	196	26	146	83	106
DN100	104	100	184.5	20	157	83	119

注意：以上数据图相关尺寸不作为实物最终依据，东正保留对于数据更新权限不再另行通知。
Note: The relevant dimensions of the above data diagrams are not regarded as the final basis of the actual object. Dongzheng reserves the right to update the data without further notice.

无死角直通视镜数据图



NO.VSJ610N2

无死角直通视镜-中头螺纹式

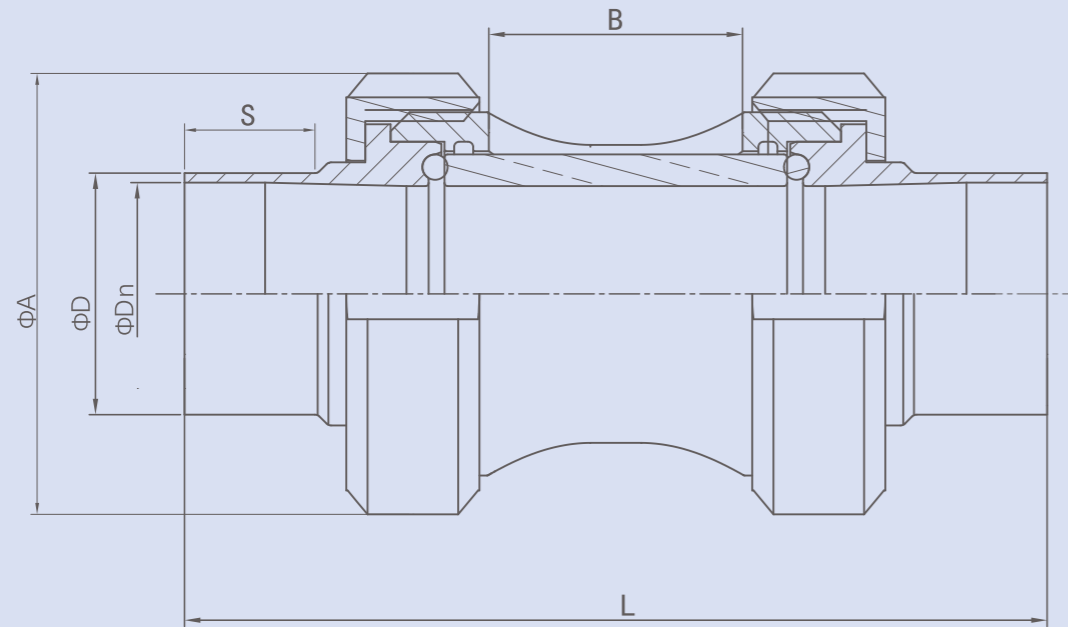
SIZE	Dn	G	L	A	B
3/4"	15.75	25	92	37	30
1"	22.1	50.5	92	42	30
1 1/4"	28.8	50.5	92	50	36
1 1/2"	34.8	50.5	115	56	43.5
2"	47.5	64	120	72	48

无死角直通视镜-中头螺纹式

SIZE	Dn	G	L	A	B
Dn15	16	50.5	92	37	30
Dn20	20	50.5	92	37	30
Dn25	26	50.5	92	42	40
Dn32	32	50.5	92	50	36
Dn40	38	50.5	115	56	43.5
DN50	50	64	120	72	48

视镜与照明 Sight glass and lighting

无死角直通视镜数据图



NO.VSJ600N3

无死角直通视镜-中头螺母式

SIZE	Dn	D	L	S	A	B
3/4"	15.75	19.05	110	15	44	30
1"	22.1	25.4	121	15	50	36
1 1/4"	28.8	31.8	114.5	13	60	38
1 1/2"	34.8	38.1	136	21	70	40
2"	47.5	50.8	161.5	22	82	46

无死角直通视镜-中头螺母式

SIZE	D		Dn		L	S	A	B
	系列1	系列2	系列1	系列2				
DN15	18	19	15	16	110	15	44	30
DN20	22	23	19	20	110	15	44	30
DN25	28	29	25	26	121	15	50	36
DN32	34	35	31	32	114.5	13	60	38
DN40	40	41	37	38	136	21	70	40
DN50	52	53	49	50	161.5	22	82	46



视镜灯照明系列是一款白色冷光源、全不锈钢、IP67防护、高洁净、无死角的灯。

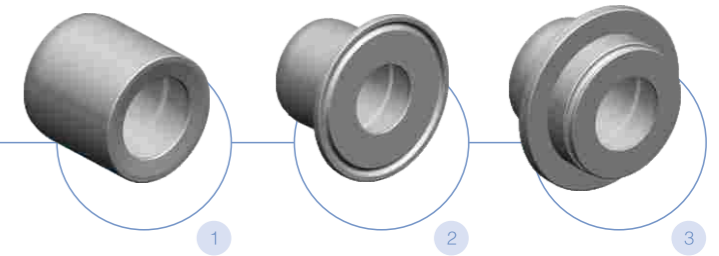
View mirror lighting series is a white cold light source, all stainless steel, IP67 protection, high clean, no dead Angle lamp.

安全等级可根据用户需求供选择：
1、隔爆系列； 2、基本系列

Safety level can be selected according to user needs:
1. flameproof series; 2. Basic series

不同连接方式 Different Connection Methods

- 1、焊接 Welding
- 2、卡箍 Clamp
- 3、嵌入 Embed



视镜灯 Sight glass light

接口：焊接式、卡箍式、多角度支架安装方式。
供电：可充电锂电池
材质：铝合金外壳

Interface: welding type, clamp type, multi-angle bracket installation method.
Power supply: rechargeable lithium battery
Material: aluminum alloy shell
Protection level: IP66

Serial Number

DJ-SJ-LED-22 铝合金可充电锂电池视镜灯
DJ-SJ-LED-22 Aluminum alloy rechargeable lithium battery sight glass light



隔爆视镜灯系列
Exd explosion-proof sight glass series



技术参数

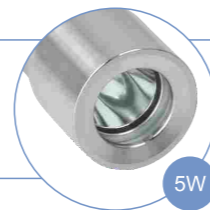
- 功率: 5W
- 功耗: DC24V/0.15A, DC8V/0.42A
- 流明: 400(LM)
- 照明有效距离: 5M; 最远10M
- 照明有效宽度: 4.5M; 最宽6M
- 温度: 直触温度70°C, 间距触温150°C
- 压力: 10bar
- 连接方式: 卡箍、对焊、嵌入式、法兰式等
- 防护等级: IP67

Technical parameter

- Power: 5W
- Power consumption: DC24V/0.15A, DC8V/0.42A
- Lumen: 400(LM)
- Lighting effective distance: 5M; Up to 10M
- Effective width of lighting: 4.5M; Maximum width 6M
- Temperature: direct contact temperature 70°C, interval contact temperature 150°C
- Pressure: 10bar
- Connection: clamp, butt welding, embedded, flange, etc
- Protection level: IP67

防爆标识
Ex db IIC T6 Gb
Ex tb III C T80°C Db

本安标识
ATEX
II 3 G Ex ic IBC T6 Gc




技术参数

- 功率: 15W
- 功耗: DC24V/0.52A, DC10V/1.3A
- 流明: 1000(LM)
- 照明有效距离: 10M; 最远20M
- 照明有效宽度: 9M; 最宽10M
- 温度: 直触温度70°C, 间距触温150°C
- 压力: 10bar
- 连接方式: 卡箍、对焊、嵌入式、法兰式等
- 防护等级: IP67

Technical parameter

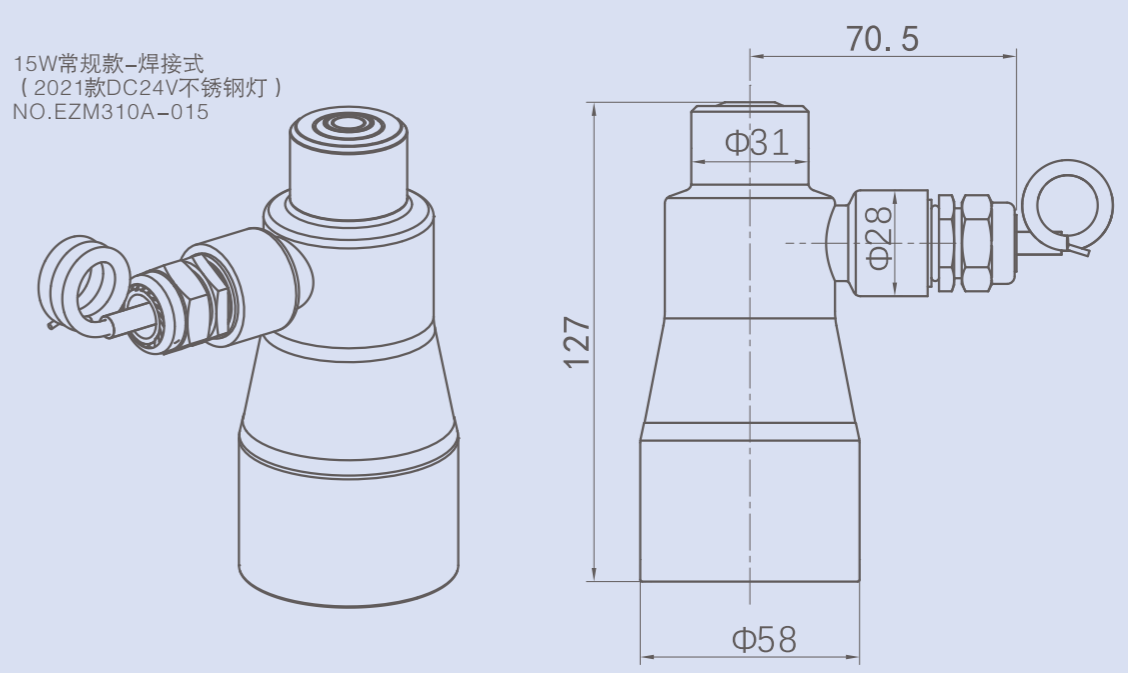
- Power: 15W
- Power consumption: DC24V/0.52A, DC10V/1.3A
- Lumen: 1000(LM)
- Effective distance of lighting: 10M; Up to 20M
- Effective width of lighting: 9M; Maximum width 10M
- Temperature: direct contact temperature 70°C, interval contact temperature 150°C
- Pressure: 10bar
- Connection: clamp, butt welding, embedded, flange, etc
- Protection level: IP67

防爆标识
Ex db IIC T6 Gb
Ex tb III C T80°C Db

本安标识
ATEX
II 3 G Ex ic IBC T6 Gc

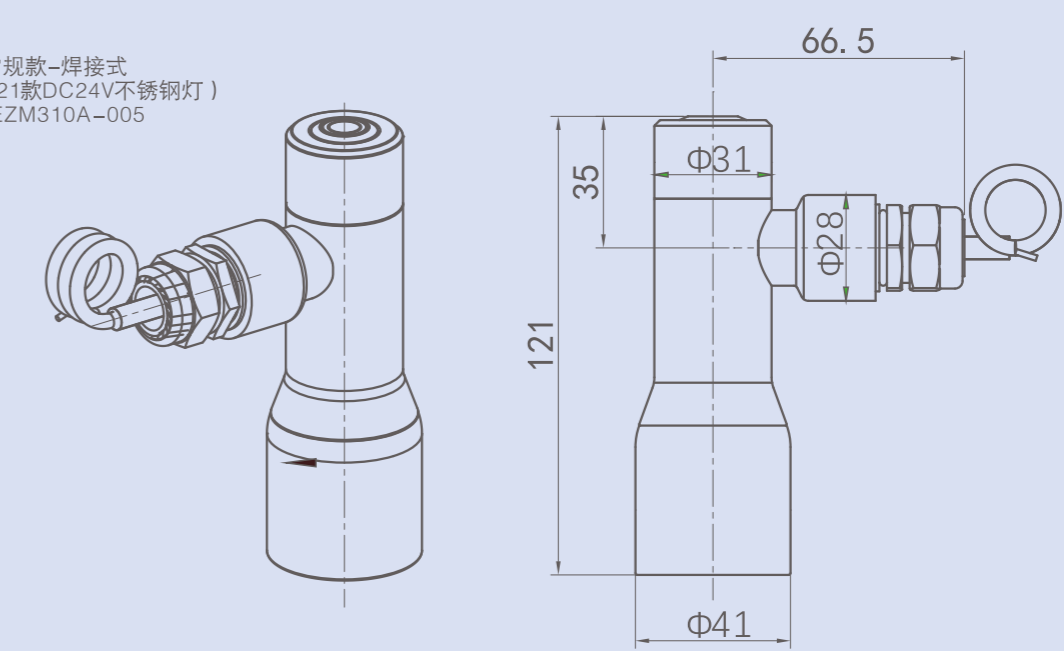
2021款不锈钢外壳照明灯 (DC 24V) -常规款

15W常规款-焊接式
(2021款DC24V不锈钢灯)
NO.EZM310A-015



Dimensions: 70.5, 127, $\Phi 31$, $\Phi 28$, $\Phi 58$

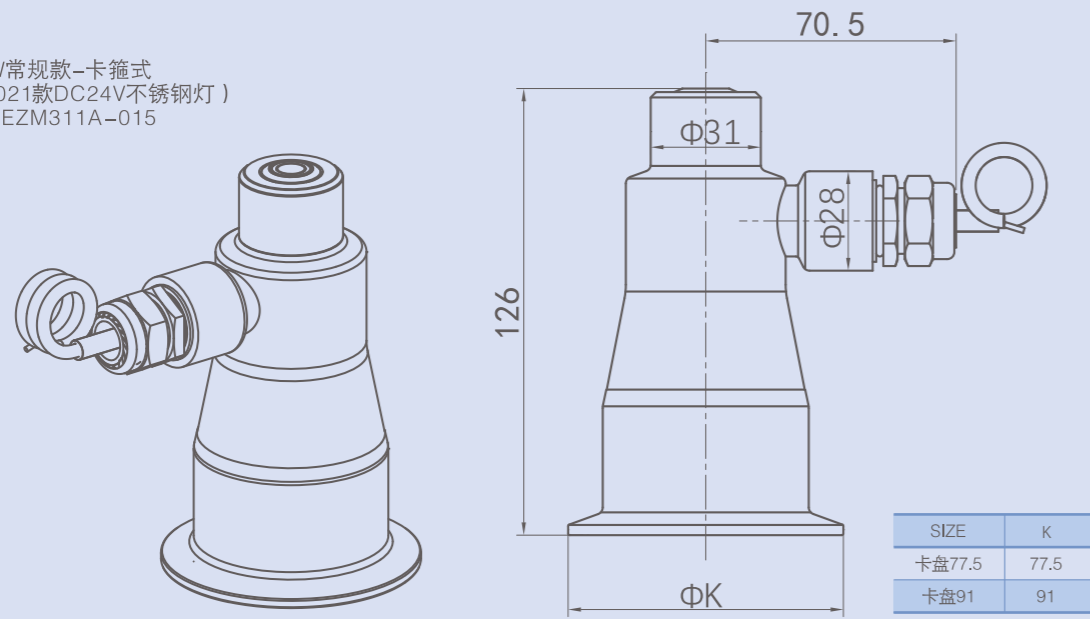
5W常规款-焊接式
(2021款DC24V不锈钢灯)
NO.EZM310A-005



Dimensions: 66.5, 121, 35, $\Phi 31$, $\Phi 28$, $\Phi 41$

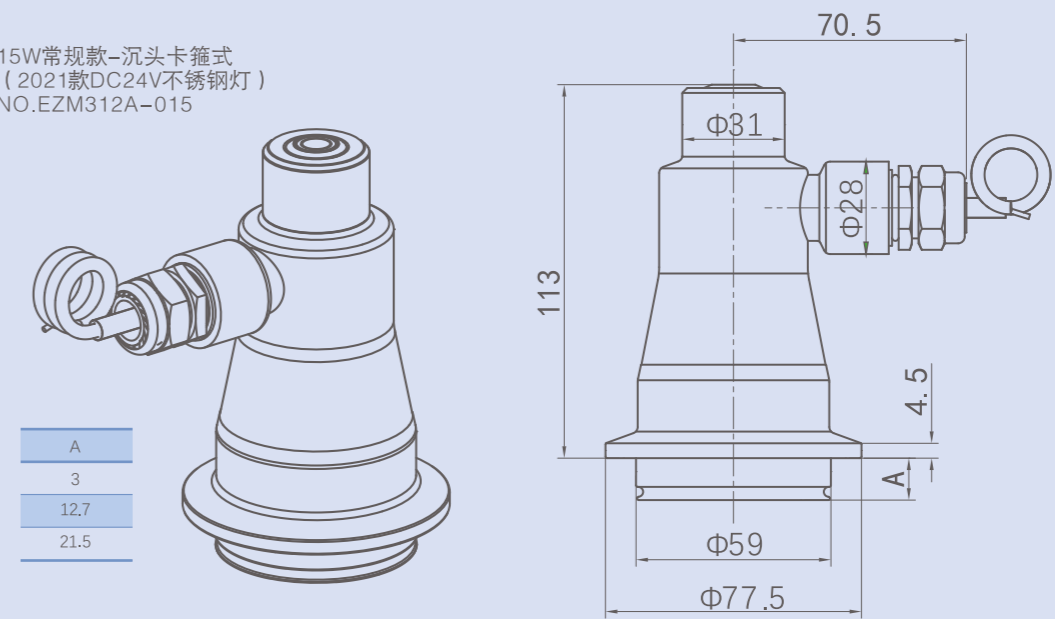
2021款不锈钢外壳照明灯 (DC 24V) -常规款

15W常规款-卡箍式
(2021款DC24V不锈钢灯)
NO.EZM311A-015

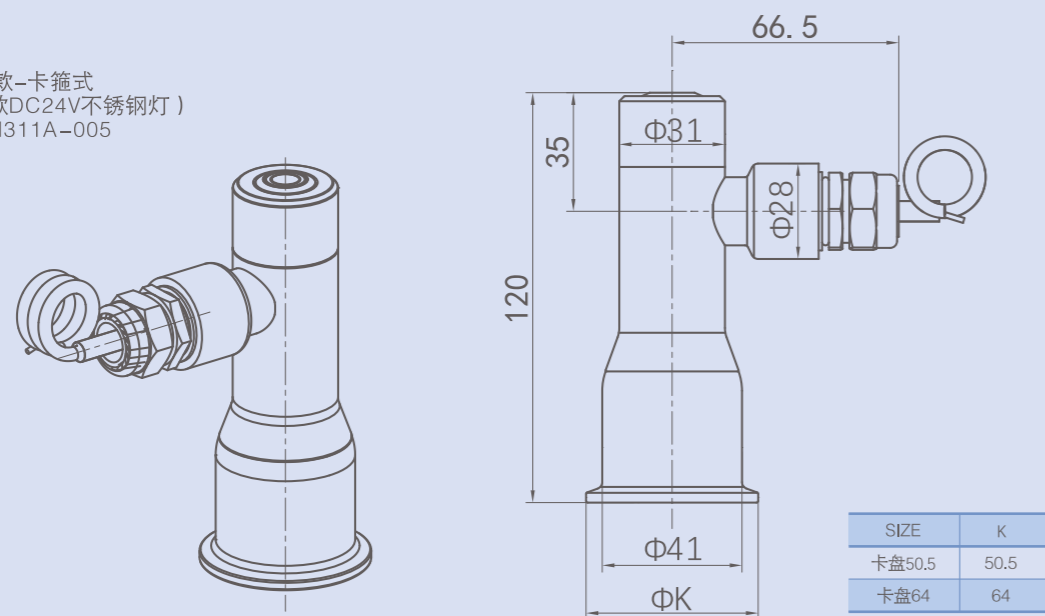


2021款不锈钢外壳照明灯 (DC 24V) -常规款

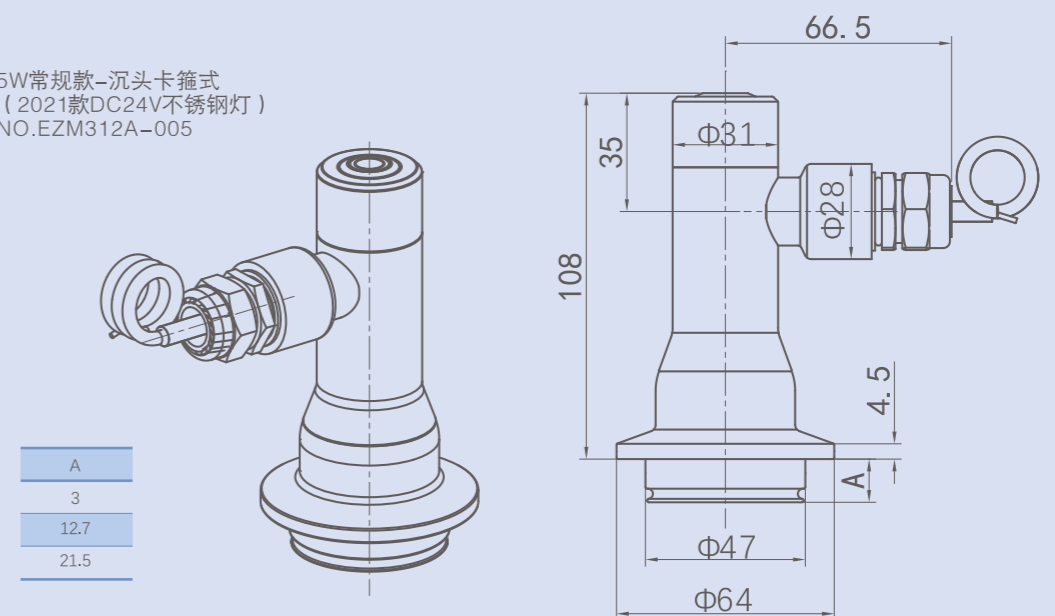
15W常规款-沉头卡箍式
(2021款DC24V不锈钢灯)
NO.EZM312A-015



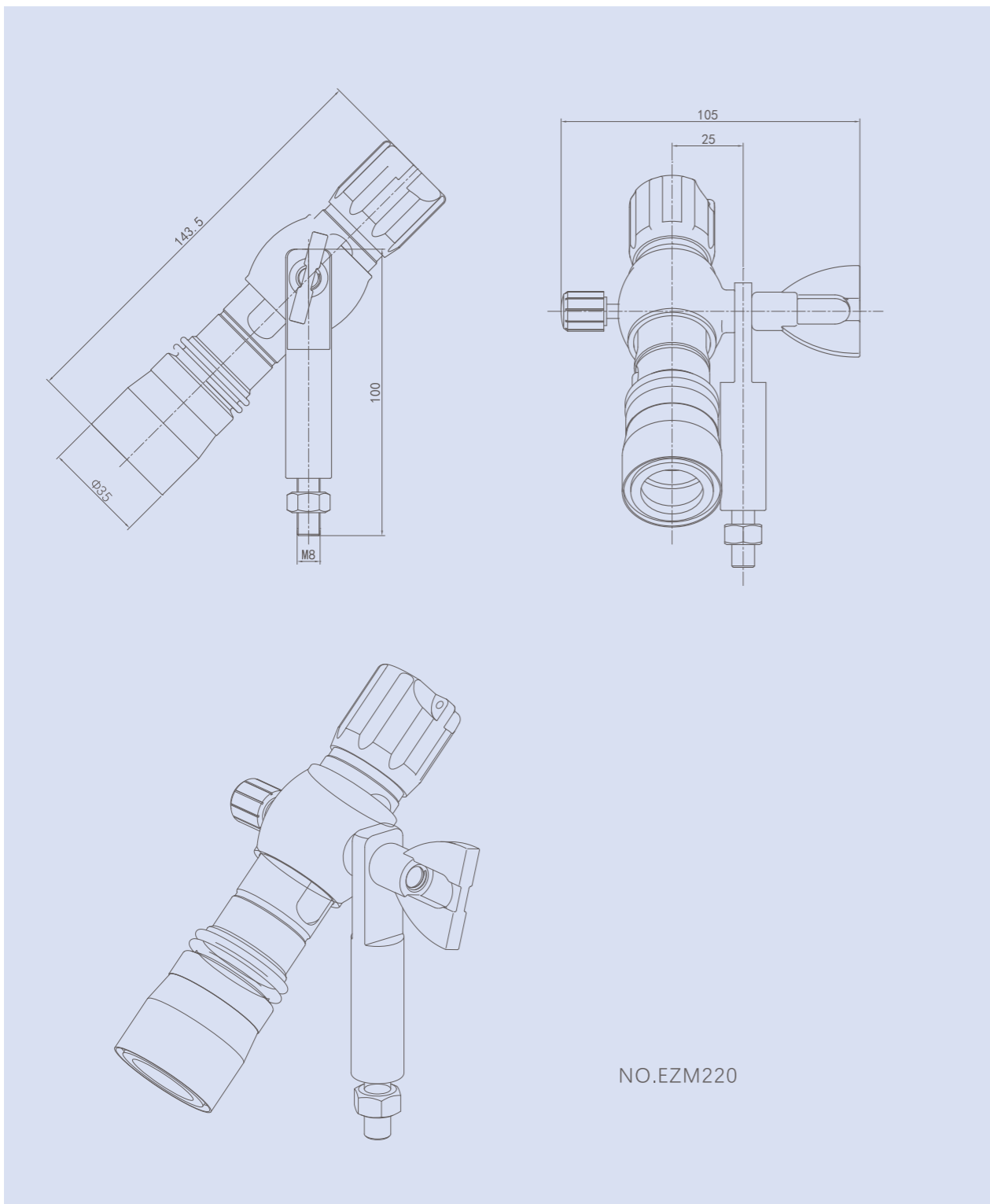
5W常规款-卡箍式
(2021款DC24V不锈钢灯)
NO.EZM311A-005



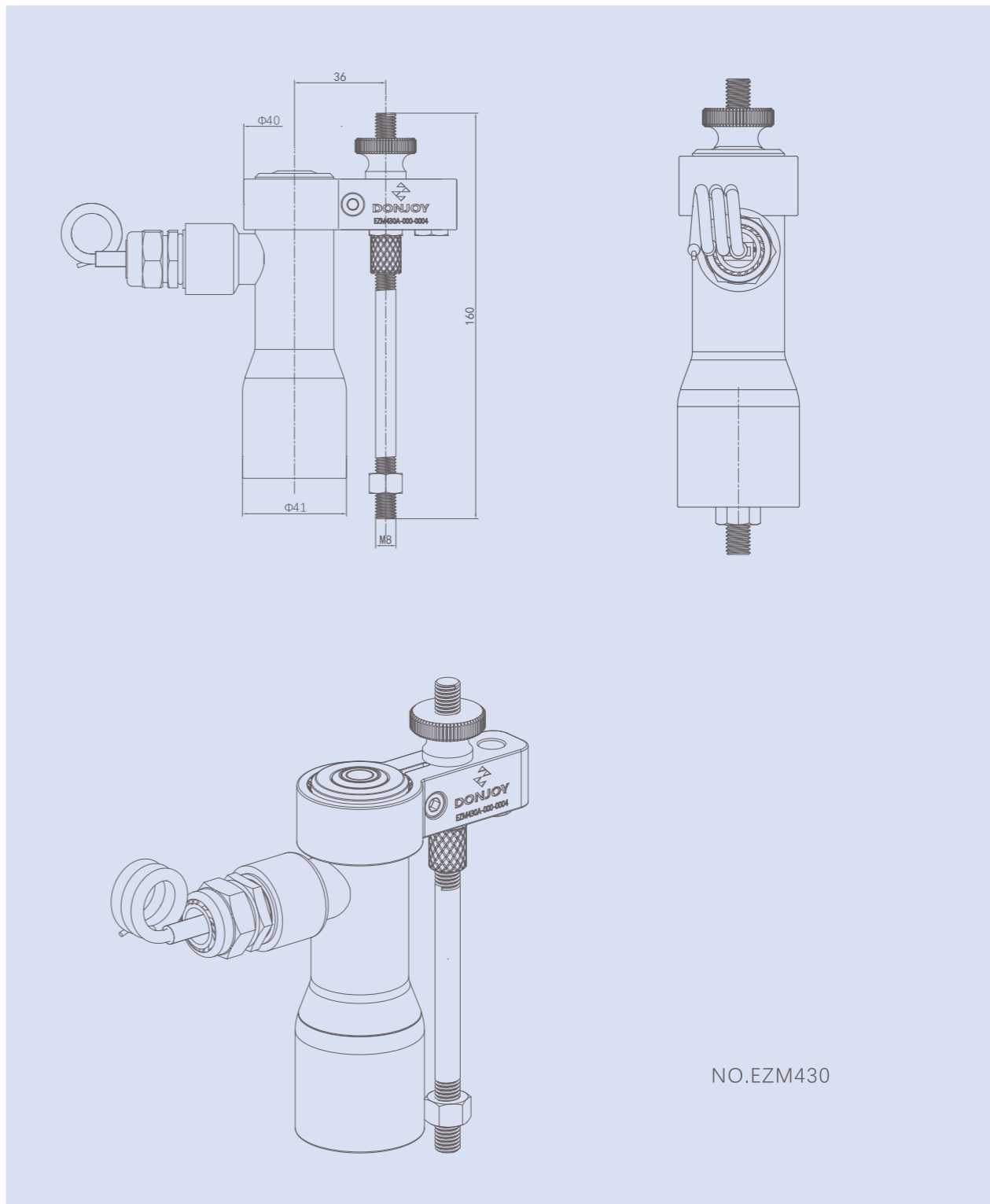
5W常规款-沉头卡箍式
(2021款DC24V不锈钢灯)
NO.EZM312A-005



多角度视镜灯 (AC110V/220V) 数据图



2022款固定灯支架(DC24V)数据图



2022款多角度灯支架(DC24V)数据图

