

DONJOY looking forward to your visit! Your telecommunications!



东正科技有限公司
DONJOY TECHNOLOGY CO.,LTD.

地址: 温州空港新区港富路25号
总机: 0577-86990888
传真: 0577-86998000

Add: No.25 Gang fu Road, konggang
new District, Longwan Wenzhou, China
Tel: +86-577-86990888
Fax: +86-577-86998000
E-mail: donjoy@cndonjoy.com

www.cndonjoy.com

法律声明:
目录样册版权归东正所有, 如有抄袭, 必将追究其法律责任和经济赔偿。
东正已获得国家版权局书刊号。东正诸多产品技术, 都具有专利保护, 如有抄袭,
必将追究法律责任和经济赔偿。

Legal statement:
Copyright of the catalogue belongs to Donjoy. If there is plagiarism,
it will be investigated for legal responsibility and economic compensation.
Donjoy has been granted publications number by China's National Copyright.
Donjoy products and technology with patent protection,
If there is plagiarism, it will be investigated for legal responsibility
and economic compensation.

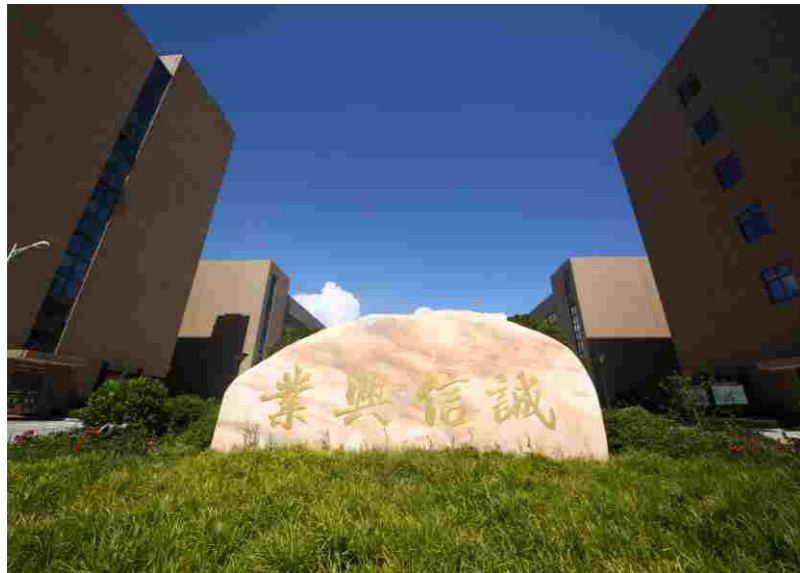
Tank bottom valve

05 / 罐底阀 智能制造



国家高新技术企业 专精特新企业

Advantages



30 YEARS

30年的阀门研发与制造
More than 30 years valve and pump R&d and Manufacturing

23 YEARS

23年的高洁净泵研发与制造
More than 23 years high purity pump R&d and Manufacturing

18 YEARS

18年的阀门控制器研发与制造
More than 18 years valve controller R&d and Manufacturing

15 YEARS

15年的清洗技术研发与制造
More than 15 years Cleaning technology R&d and Manufacturing

300

300多人的专业团队
A profession team of over 300 people

200

200多项知识产权
More than 200 intellectual property rights

30

30多项国际权威认证
More than 30 international authoritative certifications

20

20多项国家与省级荣誉
More than 20 national and provincial honors certificates

超过10年研发经验
工程师队伍
We have more than 10 years experienced engineer team in R & D.

日本Mazak
CNC复合型加工中心
CNC切削中心
CNC车床
Japan Mazak
CNC compound machining center
CNC cutting center
CNC lathe

发那科《Fanuc》
全自动机器人生产线
《Fanuc》 Automatic robot production line

高新技术企业、
省著名商标、
主任质量奖、4项发明、
200余项专利
New high-tech enterprise.
Provincial famous trademark.
Director's Quality Award.4 inventions
More than 200 patents

欧盟CE
美国3-A, FDA
中国特种制造许可证 TS
防爆认证ATEX CNEX
European Union CE certificate
USA 3-A, FDA
China Special Manufacturing License TS
ATEX CNEX

我们能为你提供
定制化技术服务和制造,
OEM ODM
We can provide
you OEM & ODM service

领先的检测手段,
30多台专业检测设备和
50多种检测方法, 确保
每个产品性能和精度
Advanced detection method.
More than 30 pcs professional testing equipment. More than 50 inspection ways, insure product performance and accuracy

30 YEARS

30年洁净领域的专注
30 years of focus in the field of cleanliness

30 YEARS

30年工程应用经验与市场考验
30 years of engineering application experience and market test

三十而立正蕴含着新的力量，
未来我们将一如既往的致力于技术革新！
We Donjoy have established for 30 years, still full of
new energy, in the future we will stick to concentrate on
technology innovation

Introduction

东正创立于1993年，占地面积29000m²，注册资本1.0558亿元，员工300余人，技术团队30余人，200余项知识产权，国际权威认证30余项，国家与省级荣誉证书20余项，且拥有国际领先的加工技术和制造设备，如Mazak CNC四轴、五轴加工中心、复合型切削中心、FANUC机器人生产线以及各种国际领先的检测设备。

东正制造的产品远销全球并获得国内外用户高度好评，我们产品和技术涵盖高洁净泵、阀门控制技术、PID自控阀门、高洁净阀门、容器管道安全控制技术、容器清洗技术、容器管道照明技术、过滤技术以及高洁净管道和配件等。广泛应用于生物制药、食品饮料、酿酒、精细化工、日化洗涤、纺织印染、电池和新能源等工业领域。

Donjoy is founded in 1993, covers an area of 29,000 square meters, registered capital of 105.58 million yuan, we have more than 300 employees, we have more than 30 persons technical team, we have more than 200 intellectual property rights, we have more than 30 authoritative international certification, we have more than 20 national and provincial certifications, and has an international leader of first processing technology and manufacturing equipment, such as Mazak CNC four axis, five axis machining center, compound cutting center, FANUC robot production line and various international collar first detection equipment, etc.

The products manufactured by Donjoy are sold all over the world and are highly praised by domestic and overseas Products and technology cover high purity pump, valve control technology, PID automatic control valve, high purity valve, container pipeline safety control technology, container cleaning technology, container pipe road lighting technology, filtration technology and high purity pipes and accessories. Widely used in the biopharmaceuticals, food and beverage, wine, fine chemicals, daily chemical washing, textile printing and dyeing, battery and new energy and other industrial fields.



罐底阀 Tank bottom valve

GD type

该阀门是气动操作的单座阀门，安装于罐底，用于乳品，食品加工，饮料生产，制药业和精细化工等行业。

The tank bottom seat valve is a pneumatically operated single seat valve, assembled at the bottom of tank, used in dairy, food processing, beverage, pharmaceutical and fine chemical industries.



产品应用

罐底阀有两种设计阀芯收缩和阀芯伸展式，并且具有非常灵活的阀体组合和各种功能配置，如杀菌式、夹套保温、阻尼缓冲式等。也可安装各种自控如阀门定位器、控制单元、反馈器、位置传感器等。

技术特点

- 规格：1/2"-6", DN10-DN150
- 材质：316L/1.4404, ASME BPE 316L 1.4435 NB2 Fe≤0.5%
- 压力：真空~10bar(1.0Mpa)
- 温度：-20°C 到+150°C, 取决密封于材质
- 密封：EPDM FKM HNBR PTFE
- 连接标准：DIN SMS ISO IDF RJT BS4825 ASME BPE 3A DIN11864 DIN11853
- 连接方式：螺纹、卡箍、焊接、法兰
- 驱动方式：手动、气动、电动
- 光洁度：Ra≤0.6 μm; MP=Ra≤0.3 μm; EP=Ra≤0.3 μm
- 认证：FDA 177.2600; 3A-53-06; Glass II USP Glass VI Chapter 88; GB4806.11; EG VO/1935-2004; PED/97/23/EC。

Applications

The tank bottom valve has two designs of valve core contraction and valve core extension, and has a very flexible valve body combination and various functional configurations, such as sterilization type, jacket insulation, damping buffer type, etc. Various automatic controls such as valve positioners, control units, feedback devices, and position sensors can also be installed.

Technical Features

- Specifications: 1/2"-6", DN10-DN150
- Material: 316L/1.4404, ASME BPE 316L 1.4435 NB2 Fe≤0.5%
- Pressure: Vacuum to 10bar (1.0 Mpa)
- Temperature: -20°C to +150°C, Depending on the seal material
- Seal: EPDM FKM HNBR PTFE
- Connection standard: DIN SMS ISO IDF RJT BS4825 ASME BPE 3A DIN11864 DIN11853
- Connection method: Thread, clamp, welding, flange
- Drive mode: manual, pneumatic, electric
- Finish: Ra≤0.6 μm; MP=Ra≤0.3 μm; EP=Ra≤0.3 μm
- Certification: FDA 177.2600; 3A-53-06; Glass II USP Glass VI Chapter 88; GB4806.11; EG VO/1935-2004; PED/97/23/EC.

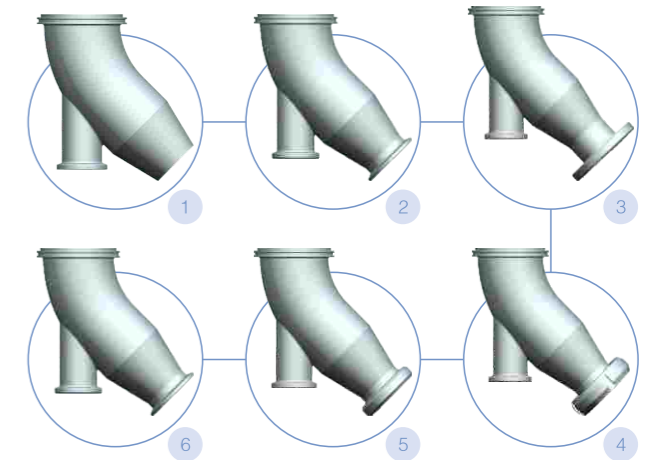
非常灵活的阀体组合和连接方式 Very Flexible Valve Body Combination And Connection Method



连接方式适用于：阀芯收缩罐底阀
Connection method applicable to: spool shrink tank bottom valve

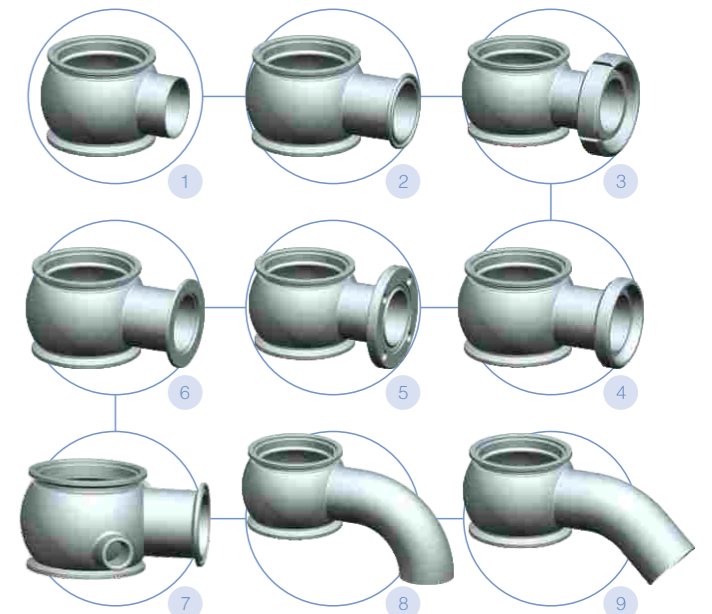
不同连接方式 Different Connection Methods

- | | | | |
|----------|--------|------------------------|-----------------|
| 1、焊接 | 4、螺母 | 1. Welding | 4. Nut |
| 2、卡箍(推荐) | 5、螺纹 | 2. Clamp (recommended) | 5. Thread |
| 3、无菌法兰 | 6、真空卡箍 | 3. Aseptic flange | 6. Vacuum clamp |



不同连接方式 Different Connection Methods

- | | | | |
|----------|----------|------------------------|----------------------|
| 1、焊接 | 6、真空卡箍 | 1. Welding | 6. Vacuum clamp |
| 2、卡箍(推荐) | 7、夹套保温 | 2. Clamp (recommended) | 7. Jacket insulation |
| 3、螺母 | 8、弯头 90° | 3. Nut | 8. Elbow 90° |
| 4、螺纹 | 9、弯头 45° | 4. Thread | 9. Elbow 45° |
| 5、无菌法兰 | | 5. Aseptic flange | |



连接方式适用于：阀芯收缩和阀芯伸展式罐底阀
Connection method applicable to: spool shrink and spool extension tank bottom valve

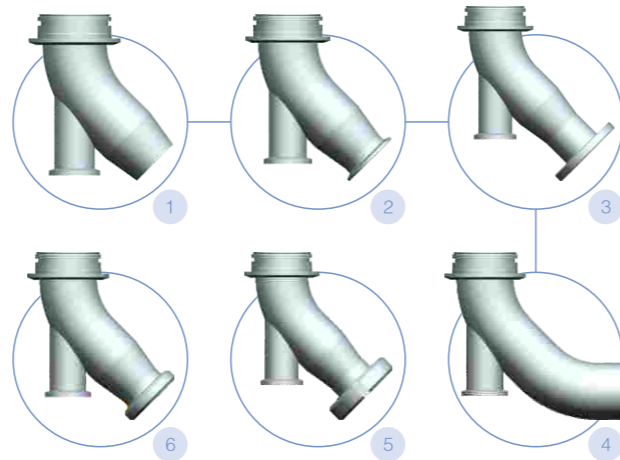
罐底阀 Tank bottom valve

非常灵活的阀体组合和连接方式 Very Flexible Valve Body Combination And Connection Method



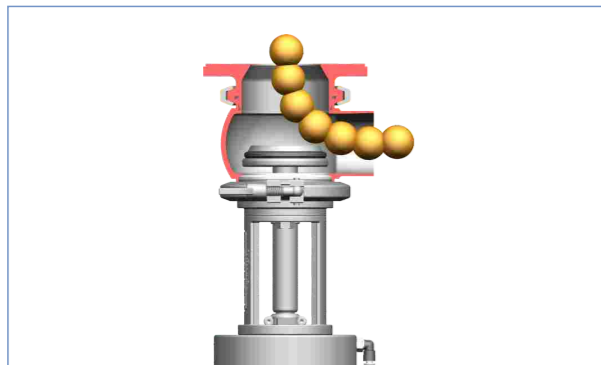
不同连接方式 Different Connection Methods

- | | | | |
|----------|----------|------------------------|--------------|
| 1、焊接 | 4、弯头 90° | 1. Welding | 4. Elbow 90° |
| 2、卡箍(推荐) | 5、螺母式 | 2. Clamp (recommended) | 5. Nut type |
| 3、无菌法兰 | 6、螺纹 | 3. Aseptic flange | 6. Thread |



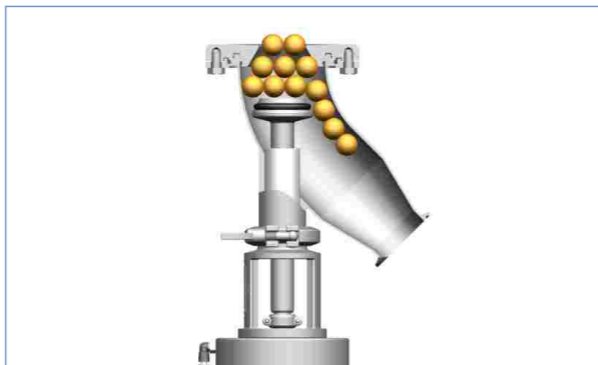
适用于：阀芯伸展式罐底阀
Applicable to: Spool extension type tank bottom valve

阀芯收缩式-L型罐底阀 Spool Shrink-L Type Tank Bottom Valve



最大颗粒通过尺寸 Maximum particle passing size		
规格 Specification		D
DN25	1"	22
DN32	1.1/4"	
DN40	1.5"	26
DN50	2"	
-	2.5"	27
DN65	3"	
DN80	-	32
DN100	4"	74

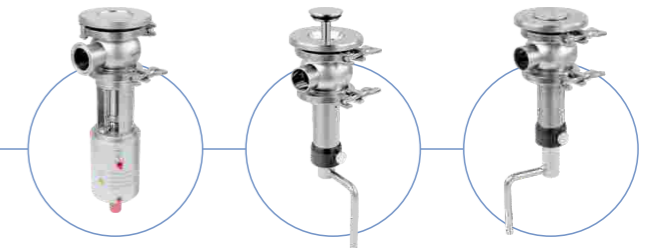
阀芯收缩-弯头式罐底阀 Spool Shrink-elbow Type Tank Bottom Valve



最大颗粒通过尺寸 Maximum particle passing size		
规格 Specification		D
DN25	1"	10
DN32	1.1/4"	
DN40	1.5"	20
DN50	2"	
-	2.5"	33
DN65	3"	
DN80	-	

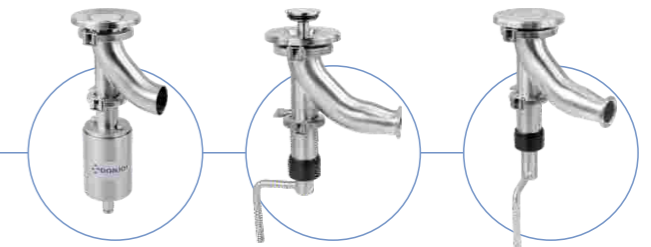
GD-WL type

阀芯伸展式
Spool extension type



GD-WW type

阀芯伸展式
Spool extension type



GD-NL type

阀芯收缩式
Spool retractable



GD-NW type

阀芯收缩式
Spool retractable



罐底阀 Tank bottom valve

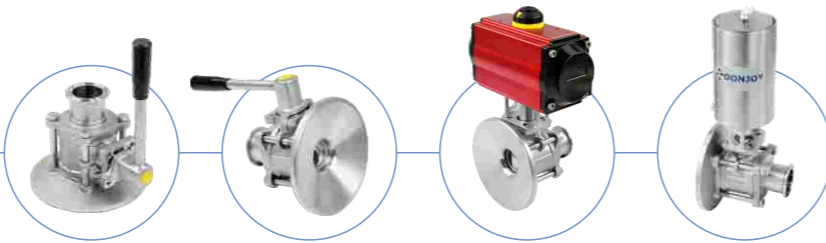
GM-JX type

径向隔膜罐底阀
Radial diaphragm tank bottom valve



QF-GD type

罐底式球阀
Tank bottom ball valve

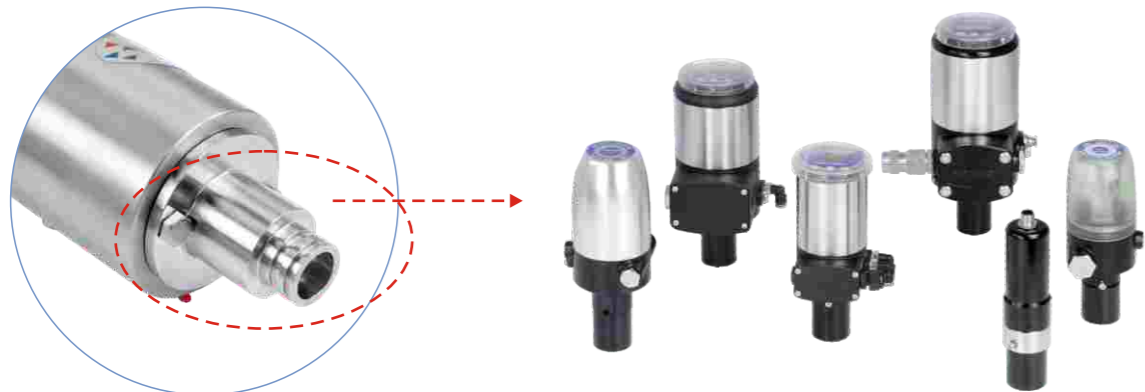


罐底阀配置各种控制器 Various controllers for tank bottom valve

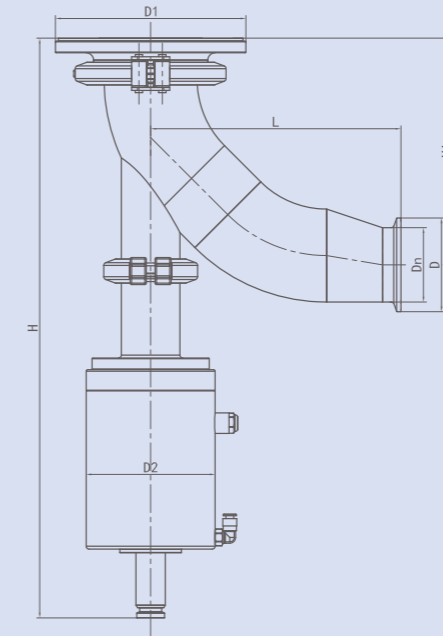
反馈器、控制单元、阀门定位器、位置传感器
Feedback, Control unit, Valve positioner, Position sensor

控制器有多种功能且涉及本安防爆或隔爆等，
具体请查阅有关章节或控制器目录册

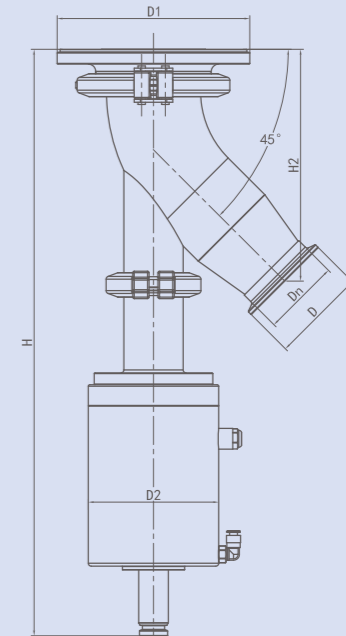
The controller has a variety of functions and involves intrinsic safety explosion-proof or flameproof, etc. Please refer to the relevant chapter or controller catalogue for details



气动弯头式罐底阀数据图



气动弯头式罐底阀-90度阀体
NO.VKD310Q2



气动弯头式罐底阀-45度阀体
NO.VKD410Q2

气动弯头式罐底阀 (INCH)

规格	Dn	D	D1	D2	H	H1	H2	L
1.5"	38.1	50.5	115	88	380.5	135.5	142.5	152
2"	50.8	64	130	113	431	155	156.5	171
2.5"	63.5	77.5	150	113	449	177	173	190
3"	76.2	91	150	113	449	170.5	177.5	152

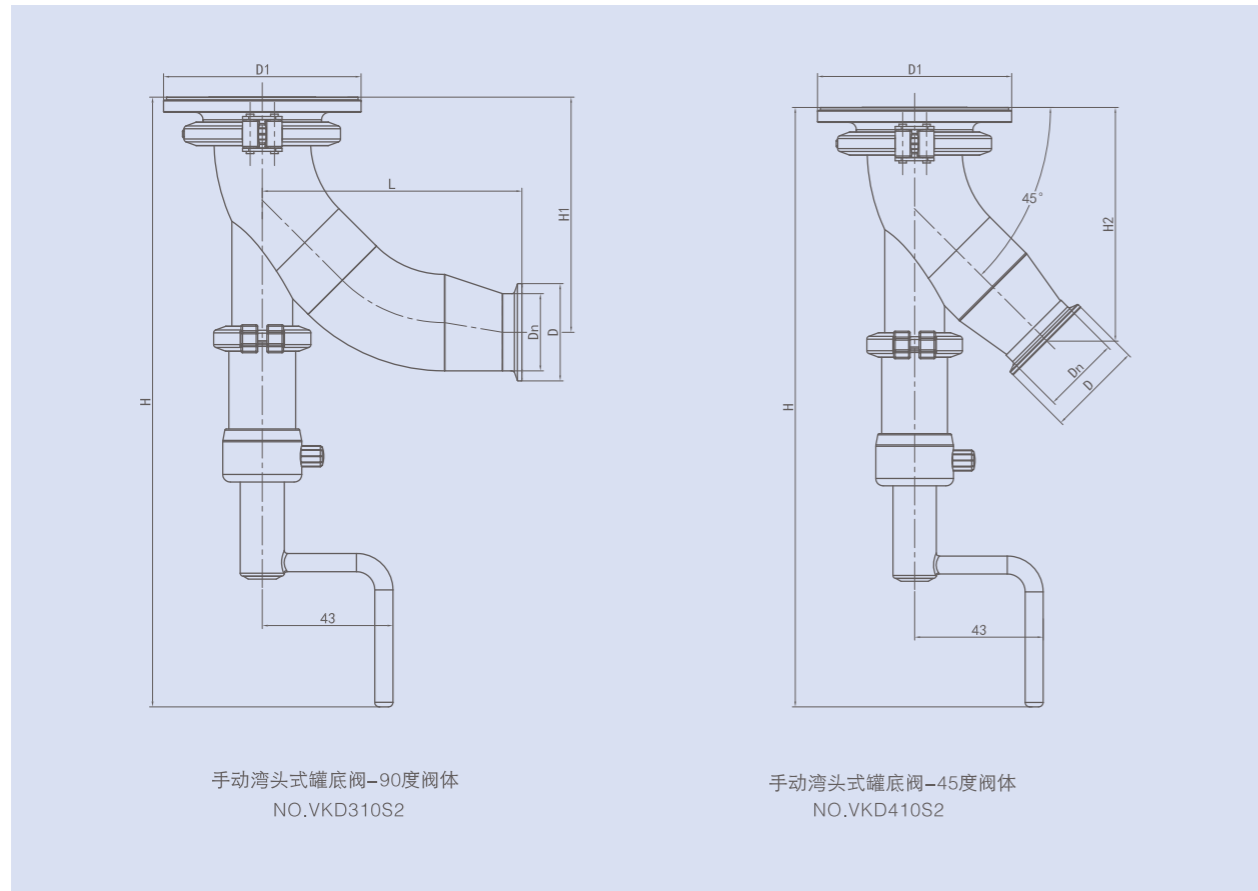
气动弯头式罐底阀 (DIN)

规格	Dn	D	D1	D2	H	H1	H2	L
DN40	40	50.5	115	88	381	135.5	142.5	152
DN50	52	64	130	113	431	155	156.5	171
DN65	70	91	150	113	449	171	184	205.5
DN80	85	106	150	113	449	202	220	243

注意：以上数据图相关尺寸不作为实物最终依据，东正保留对于数据更新权限不再另行通知。
Note: The relevant dimensions of the above data diagrams are not regarded as the final basis of the actual object. Dongzheng reserves the right to update the data without further notice.

罐底阀 Tank bottom valve

手动弯头式罐底阀-数据图



手动弯头式罐底阀 (INCH)

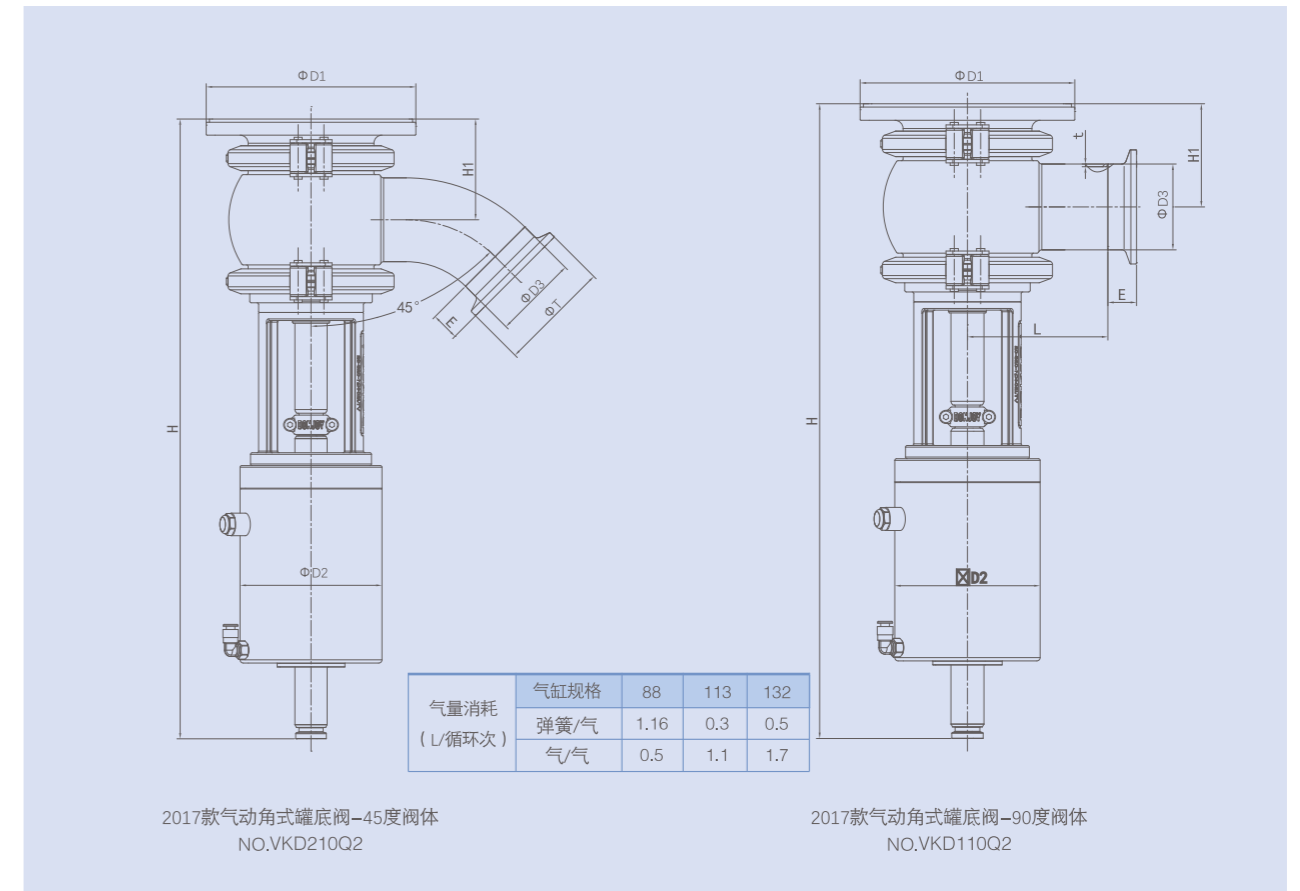
规格	Dn	D	D1	H	H1	H2	L
1.5"	38.1	50.5	115	383	135.5	142.5	152
2"	50.8	64	130	402.5	155	156.5	171
2.5"	63.5	77.5	150	422.5	177	173	190
3"	76.2	91	150	422.5	170.5	177.5	152

手动弯头式罐底阀 (DIN)

规格	Dn	D	D1	H	H1	H2	L
DN40	40	50.5	115	383	135.5	142.5	152
DN50	52	64	130	402.5	155	156.5	171
DN65	70	91	150	422.5	171	184	205.5
DN80	85	106	150	422.5	202	220	243

注意：以上数据图相关尺寸不作为实物最终依据，东正保留对于数据更新权限不再另行通知。
Note: The relevant dimensions of the above data diagrams are not regarded as the final basis of the actual object. Dongzheng reserves the right to update the data without further notice.

2017款气动角式罐底阀-数据图



气动角式罐底阀 (INCH)

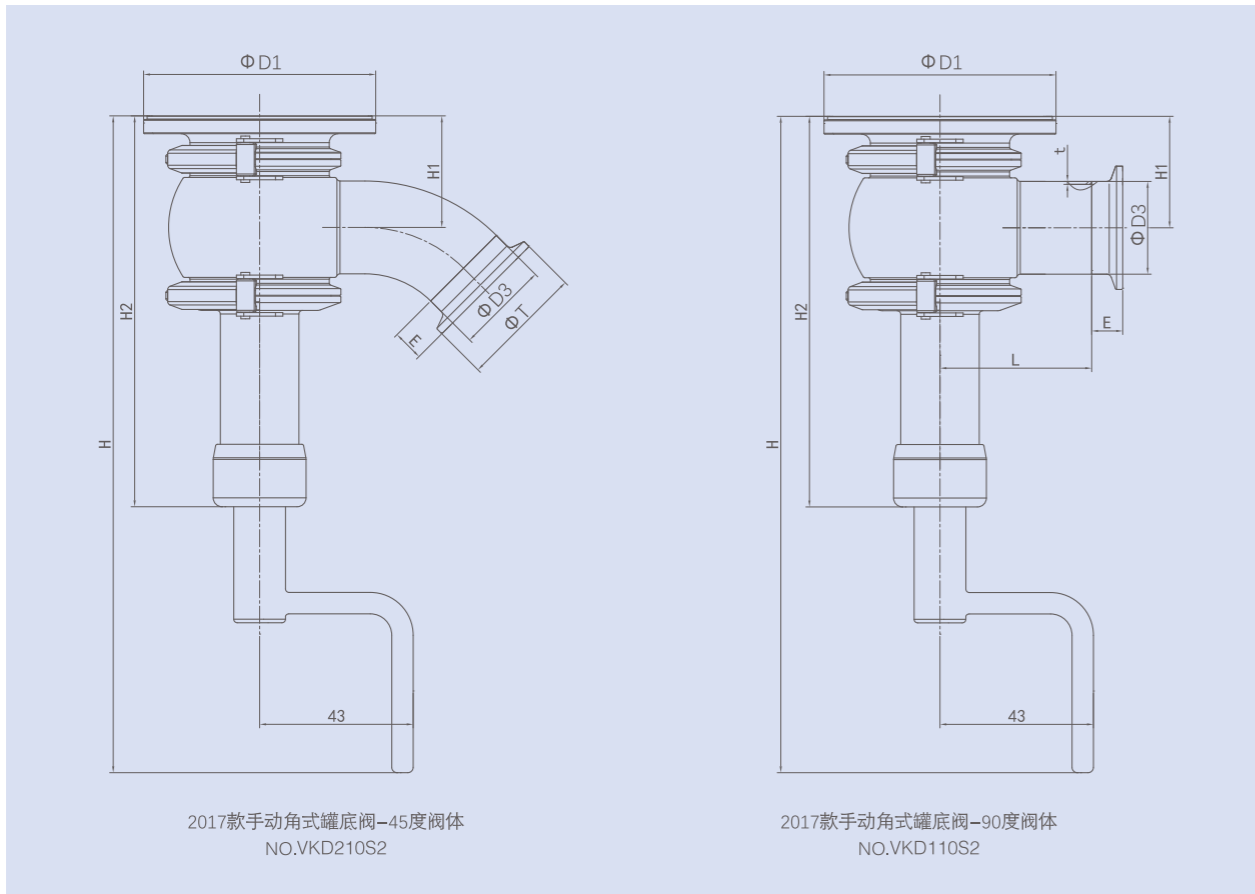
规格	D1	D2	D3	H	H1	L	T	t	E(卡箍长)
1"	100	88	25.4	359.5	58.5	50	50.5	1.5	12.7
1 1/2"	115	88	38.1	358.5	58	60	50.5	1.5	12.7
2"	130	113	50.8	400.5	62.5	70	64	1.5	12.7
2 1/2"	150	113	63.5	423.5	71	80	77.5	2.0	12.7
3"	150	132	76.2	442	79.5	99	91	2.0	12.7
3.5"	150	132	89	444.5	84	99	106	2.0	12.7
4"	195	132	101.6	482	103.5	114	119	2.0	12.7

气动角式罐底阀 (DIN)

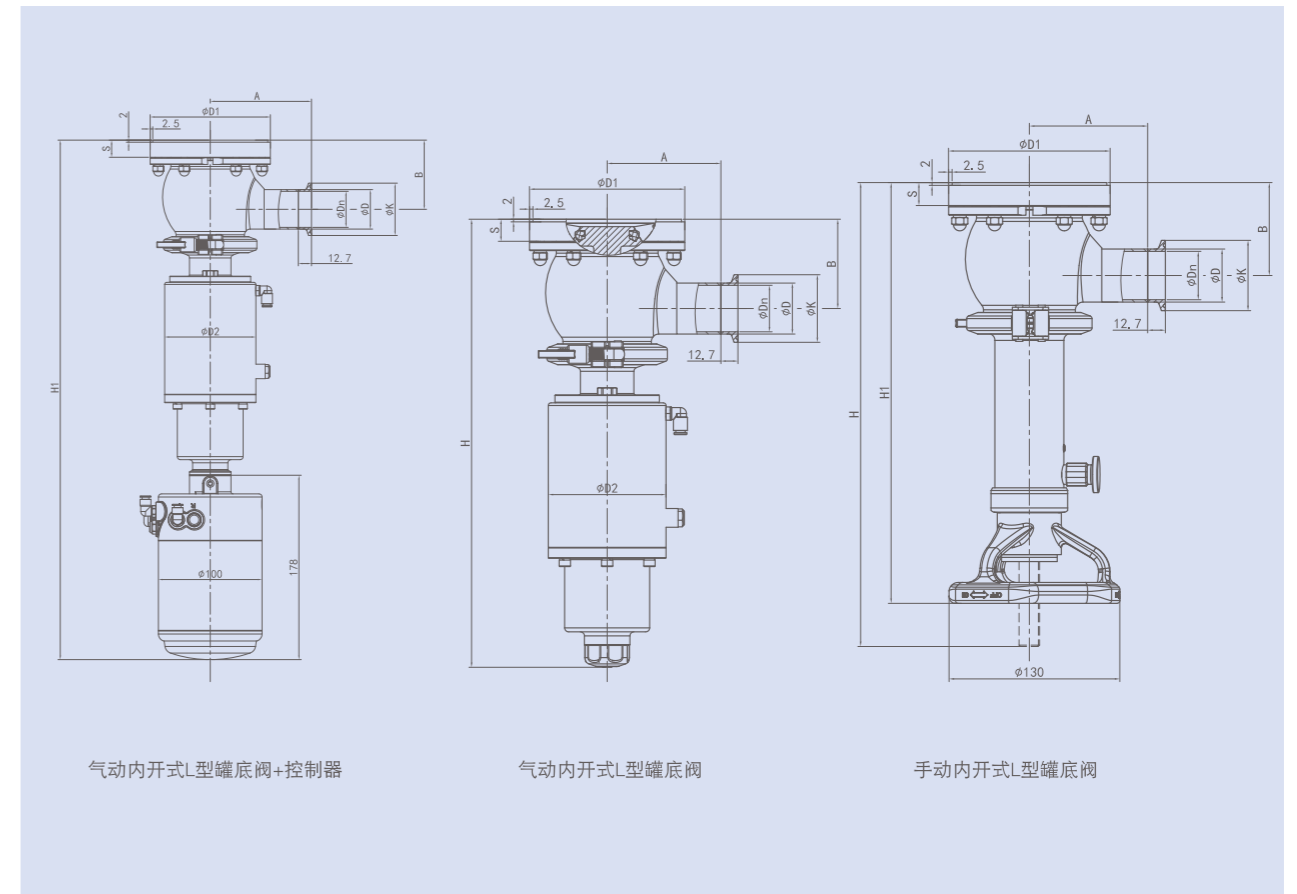
规格	D1	D2	D3	H	H1	L	T	t	E(卡箍长)
DN25	100	88	28	359.5	58.5	50	50.5	1.5	21.5
DN40	115	88	40	358.5	58	60	50.5	1.5	21.5
DN50	130	113	52	400.5	62.5	70	64	1.5	21.5
DN65	150	132	70	435.5	76.5	90	91	2.0	28
DN80	150	132	85	444.5	84	99	106	2.0	28
DN100	195	132	104	482	103.5	114	119	2.0	28

罐底阀 Tank bottom valve

2017款手动角式罐底阀-数据图



2021款气动/手动内开式L型罐底阀-数据图



手动角式罐底阀 (INCH)

规格	D1	D3	H	H1	H2	L	T	t	E(卡箍长)
1"	100	25.4	360.5	58.5	208	50	50.5	1.5	12.7
1 1/2"	115	38.1	359	58	207.5	60	50.5	1.5	12.7
2"	130	50.8	370.5	65.5	219	70	64	1.5	12.7
2 1/2"	150	63.5	387.5	71	235.5	80	77.5	2.0	12.7
3"	150	76.2	399	79.5	251	99	91	2.0	12.7
3.5"	150	89	398.5	84	259.5	99	106	2.0	12.7
4"	195	101.6	444	103.5	293	114	119	2.0	15.8

手动角式罐底阀 (DIN)

规格	D1	D3	H	H1	H2	L	T	t	E(卡箍长)
DN25	100	28	360.5	58.5	208	50	50.5	1.5	21.5
DN40	115	40	359	58	207.5	60	50.5	1.5	21.5
DN50	130	52	370.5	62.5	219	70	64	1.5	21.5
DN65	150	70	391.5	76.5	244.5	90	91	2.0	28
DN80	150	85	398.5	84	259.5	99	106	2.0	28
DN100	195	104	444	103.5	293	114	119	2.0	28

气动内开式L型罐底阀

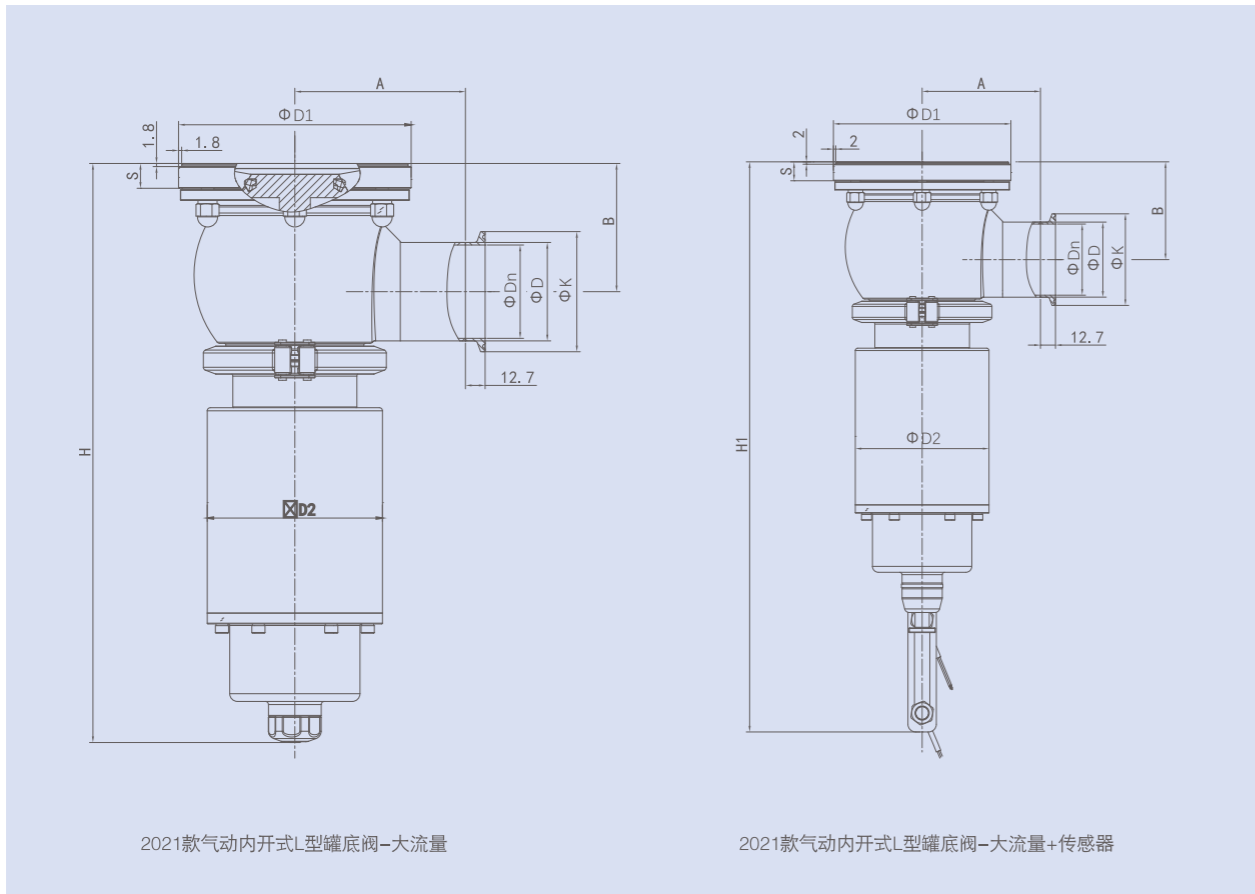
规格	Dn	D	K	D1	S	D2	A	B	H	H1
1"	21.5	24.5	50.5	116	16.5	88	85	73.1	335	501.5
1.5"	35.1	38.1	50.5	116	16.5	88	85	66.8	335	501.5
2"	47.8	50.8	64	150	16	113	110	89.1	373.6	540
2.5"	59.5	63.5	64	150	16	113	100	82.7	373.6	540
DN65	72.2	76.2	91	195	19	132	128	99.7	413.1	579.6
4"	97.6	101.6	119	230	20	168	155	110.2	484.4	651

手动内开式L型罐底阀

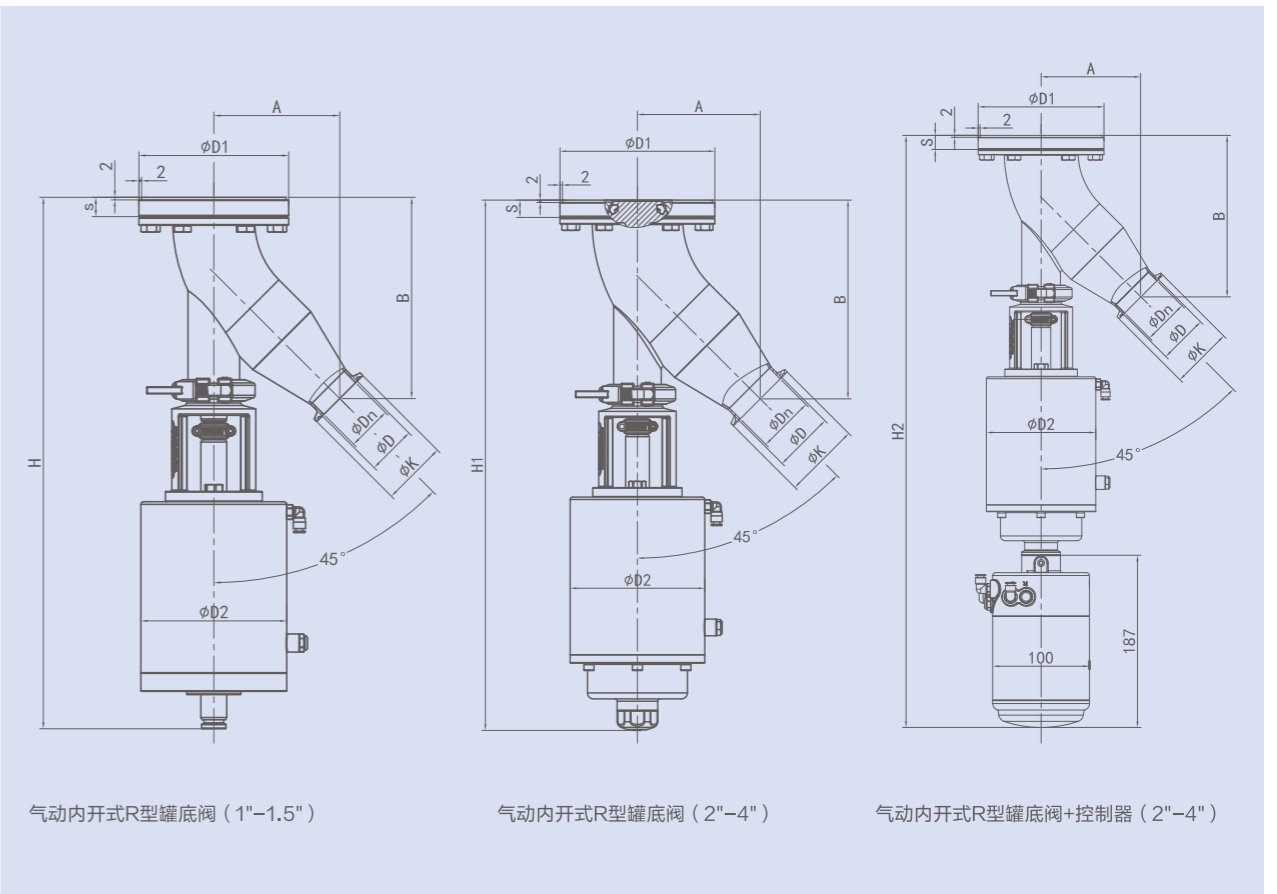
规格	Dn	D	K	D1	S	A	B	H	H1
1"	21.5	24.5	50.5	116	16.5	85	73.1	333.3	302.3
1.5"	35.1	38.1	50.5	116	16.5	85	66.8	333.3	302.3
2"	47.8	50.8	64	150	16	110	89.1	395.1	344.6
2.5"	59.5	63.5	64	150	16	100	82.7	395.1	344.6
DN65	72.2	76.2	91	195	19	128	99.7	448.1	380.1
4"	97.6	101.6	119	230	20	155	110.2	542.7	443.7

罐底阀 Tank bottom valve

2017款手动角式罐底阀-数据图



2021款气动内开式R型罐底阀-数据图



2021款气动内开式L型罐底阀-大流量

规格	D1	D3	H	H1	H2	L	T	t	E(卡箍长)
1"	100	25.4	360.5	58.5	208	50	50.5	1.5	12.7
1 1/2"	115	38.1	359	58	207.5	60	50.5	1.5	12.7
2"	130	50.8	370.5	65.5	219	70	64	1.5	12.7
2 1/2"	150	63.5	387.5	71	235.5	80	77.5	2.0	12.7
3"	150	76.2	399	79.5	251	99	91	2.0	12.7
3.5"	150	89	398.5	84	259.5	99	106	2.0	12.7
4"	195	101.6	444	103.5	293	114	119	2.0	15.8

规格	D1	D3	H	H1	H2	L	T	t	E(卡箍长)
DN25	100	28	360.5	58.5	208	50	50.5	1.5	21.5
DN40	115	40	359	58	207.5	60	50.5	1.5	21.5
DN50	130	52	370.5	62.5	219	70	64	1.5	21.5
DN65	150	70	391.5	76.5	244.5	90	91	2.0	28
DN80	150	85	398.5	84	259.5	99	106	2.0	28
DN100	195	104	444	103.5	293	114	119	2.0	28

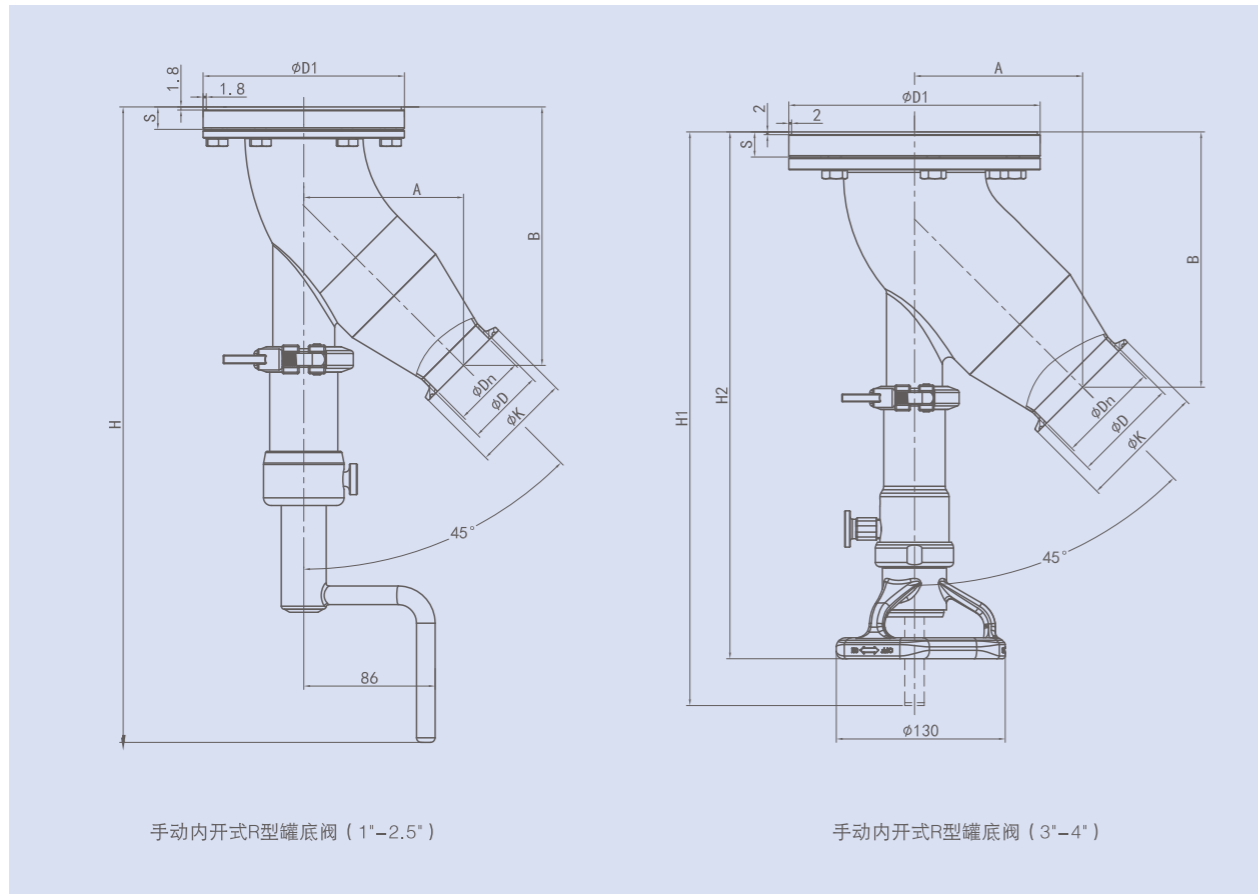
气动内开式R型罐底阀

规格	Dn	D	K	D1	S	D2	A	B	H	H1	H2
1"	21.5	24.5	50.5	116	15	113	115.5	174	412	/	/
1.5"	35.1	38.1	50.5	116	15	113	97.6	156	412	/	/
2"	47.8	50.8	64	130	14.5	113	103.1	167	/	445.5	612
2.5"	59.5	63.5	64	130	14.5	113	103.1	158	/	445.5	612
3"	72.2	76.2	91	180	18	132	120.4	183	/	504.5	671
4"	97.6	101.6	119	230	18	168	179.3	264	/	587.5	754

注意：以上数据图相关尺寸不作为实物最终依据，东正保留对于数据更新权限不再另行通知。
Note: The relevant dimensions of the above data diagrams are not regarded as the final basis of the actual object. Dongzheng reserves the right to update the data without further notice.

罐底阀 Tank bottom valve

2021款手动内开式R型罐底阀-数据图



手动内开式R型罐底阀										
规格	Dn	D	K	D1	S	A	B	H	H1	H2
1"	21.5	24.5	50.5	116	15	115.5	174	397	/	/
1.5"	35.1	38.1	50.5	116	15	97.6	156	397	/	/
2"	47.8	50.8	64	130	14.5	103.1	167	410.5	/	/
2.5"	59.5	63.5	64	130	14.5	103.1	158	410.5	/	/
DN65	72.2	76.2	91	180	18	120.4	183	/	411	377.5
4"	97.6	101.6	119	230	18	179.3	264	/	499	451.5

注意：以上数据图相关尺寸不作为实物最终依据，东正保留对于数据更新权限不再另行通知。
Note: The relevant dimensions of the above data diagrams are not regarded as the final basis of the actual object. Dongzheng reserves the right to update the data without further notice.