

DONJOY looking forward to your visit! Your telecommunications!



东正科技有限公司
DONJOY TECHNOLOGY CO.,LTD.

地址: 温州空港新区港富路25号
总机: 0577-86990888
传真: 0577-86998000

Add: No.25 Gang fu Road, konggang
new District, Longwan Wenzhou, China
Tel: +86-577-86990888
Fax: +86-577-86998000
E-mail: donjoy@cndonjoy.com

www.cndonjoy.com

法律声明:
目录样册版权归东正所有, 如有抄袭, 必将追究其法律责任和经济赔偿。
东正已获得国家版权局书刊号。东正诸多产品技术, 都具有专利保护, 如有抄袭,
必将追究法律责任和经济赔偿。

Legal statement:
Copyright of the catalogue belongs to Donjoy. If there is plagiarism,
it will be investigated for legal responsibility and economic compensation.
Donjoy has been granted publications number by China's National Copyright.
Donjoy products and technology with patent protection,
If there is plagiarism, it will be investigated for legal responsibility
and economic compensation.

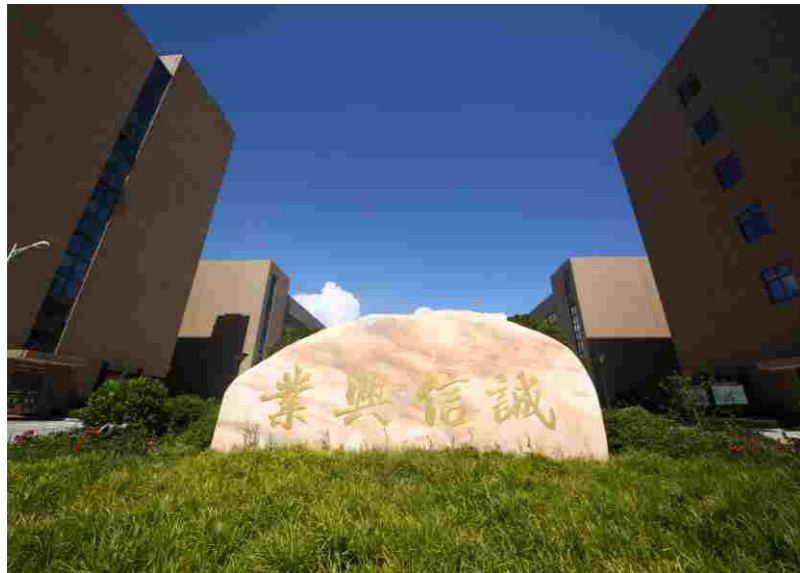
Safety valve, Exhaust valve, Breathing valve

10 / 安全阀-呼吸阀-排气阀 智能制造



国家高新技术企业 专精特新企业

Advantages



30 YEARS

30年的阀门研发与制造
More than 30 years valve and pump R&d and Manufacturing

23 YEARS

23年的高洁净泵研发与制造
More than 23 years high purity pump R&d and Manufacturing

18 YEARS

18年的阀门控制器研发与制造
More than 18 years valve controller R&d and Manufacturing

15 YEARS

15年的清洗技术研发与制造
More than 15 years Cleaning technology R&d and Manufacturing

300

300多人的专业团队
A profession team of over 300 people

200

200多项知识产权
More than 200 intellectual property rights

30

30多项国际权威认证
More than 30 international authoritative certifications

20

20多项国家与省级荣誉
More than 20 national and provincial honors certificates

超过10年研发经验
工程师队伍
We have more than 10 years experienced engineer team in R & D.

日本Mazak
CNC复合型加工中心
CNC切削中心
CNC车床
Japan Mazak
CNC compound machining center
CNC cutting center
CNC lathe

发那科《Fanuc》
全自动机器人生产线
《Fanuc》 Automatic robot
production line

高新技术企业、
省著名商标、
主任质量奖、4项发明、
200余项专利
New high-tech enterprise.
Provincial famous trademark.
Director's Quality Award.4 inventions
More than 200 patents

欧盟CE
美国3-A, FDA
中国特种制造许可证 TS
防爆认证ATEX CNEX
European Union CE certificate
USA 3-A, FDA
China Special Manufacturing
License TS
ATEX CNEX

我们能为你提供
定制化技术服务和制造,
OEM ODM
We can provide
you OEM & ODM service

领先的检测手段,
30多台专业检测设备和
50多种检测方法, 确保
每个产品性能和精度
Advanced detection method,
More than 30 pcs professional
testing equipment. More than
50 inspection ways, insure product
performance and accuracy

30 YEARS

30年洁净领域的专注
30 years of focus in the field of cleanliness

30 YEARS

30年工程应用经验与市场考验
30 years of engineering application experience and market test

三十而立正蕴含着新的力量，
未来我们将一如既往的致力于技术革新！
We Donjoy have established for 30 years, still full of
new energy, in the future we will stick to concentrate on
technology innovation

Introduction

东正创立于1993年，占地面积29000m²，注册资本1.0558亿元，员工300余人，技术团队30余人，200余项知识产权，国际权威认证30余项，国家与省级荣誉证书20余项，且拥有国际领先的加工技术和制造设备，如Mazak CNC四轴、五轴加工中心、复合型切削中心、FANUC机器人生产线以及各种国际领先的检测设备。

东正制造的产品远销全球并获得国内外用户高度好评，我们产品和技术涵盖高洁净泵、阀门控制技术、PID自控阀门、高洁净阀门、容器管道安全控制技术、容器清洗技术、容器管道照明技术、过滤技术以及高洁净管道和配件等。广泛应用于生物制药、食品饮料、酿酒、精细化工、日化洗涤、纺织印染、电池和新能源等工业领域。

Donjoy is founded in 1993, covers an area of 29,000 square meters, registered capital of 105.58 million yuan, we have more than 300 employees, we have more than 30 persons technical team, we have more than 200 intellectual property rights, we have more than 30 authoritative international certification, we have more than 20 national and provincial certifications, and has an international leader of first processing technology and manufacturing equipment, such as Mazak CNC four axis, five axis machining center, compound cutting center, FANUC robot production line and various international collar first detection equipment, etc.

The products manufactured by Donjoy are sold all over the world and are highly praised by domestic and overseas Products and technology cover high purity pump, valve control technology, PID automatic control valve, high purity valve, container pipeline safety control technology, container cleaning technology, container pipe road lighting technology, filtration technology and high purity pipes and accessories. Widely used in the biopharmaceuticals, food and beverage, wine, fine chemicals, daily chemical washing, textile printing and dyeing, battery and new energy and other industrial fields.



安全阀 Safety valve

AQ-YL type



安全阀系列—经过国家特种制造认证的产品设计，每只阀门出厂前都是严格按照国家要求压力整定后出厂。
无滞留、无死角、全不锈钢材料、已成功应用到各种高洁净场合如生物制药、食品饮料、日化、水处理等各种工况。

Safety valve series—product design that has passed the national special manufacturing certification. Before leaving the factory, each valve will be set in strict accordance with the national requirements.
No retention, no dead ends, all stainless steel materials, has been successfully applied to various high-cleaning occasions such as biological pharmacy, food and beverage, daily chemical, water treatment and other working conditions.

产品应用

- 该安全阀是用于保护流经管道、泵、附件、池子等压力的安全
- 该安全阀设计健康安全，防止危险及由于压力导致的设备故障
- 卫生的设计和完全不锈钢制造，该阀门是乳制品、食品、饮料、制药、精细化工行业中用于保护设备的最好选择。配置典型应用，灌装机，装瓶机等设备前部。

技术特点

- 规格：1/2"-4", DN10-DN100
- 材质：304/1.4301; 316L/1.4404, ASME BPE 316L 1.4435 NB2 Fe≤0.5%
- 压力：真空~10bar(1.0Mpa)
- 温度：-20°C 到 +150°C, 取决密封于材质
- 密封：EPDM FKM HNBR PTFE
- 连接标准：DIN SMS ISO IDF RJT BS4825 ASME BPE 3A DIN11864 DIN11853
- 连接方式：螺纹、卡箍、焊接、法兰
- 驱动方式：手动、气动、电动
- 光洁度：Ra≤0.6 μm; MP=Ra≤0.3 μm; EP=Ra≤0.3 μm
- 认证：FDA 177.2600; 3A-64-00; Glass II USP Glass VI Chapter 88; GB4806.11; EG VO/1935-2004; PED/97/23/EC

Applications

- The safety valve is used to protecting pipe, pump from over pressure
- Sanitary and safe design is to prevent operation danger and equipment breakdown due to pressure.
- With sanitary design stainless steel, the valve is the best choice for protection equipments in dairy, food, beverage, pharmacy and fine chemical industries.

Technical Features

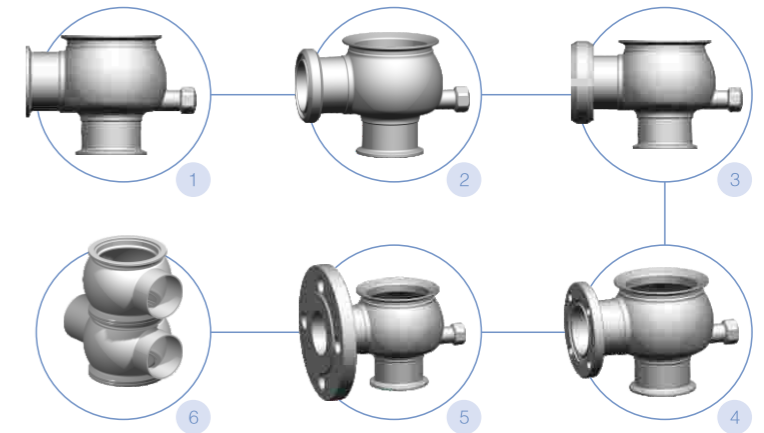
- Size: 1/2"-4", DN10-DN100
- Material: 304/1.4301; 316L/1.4404, ASME BPE 316L 1.4435 NB2 Fe≤0.5%
- Pressure: vacuum to 10bar (1.0 Mpa)
- Temperature: -20°C to +150°C, Depending on the seal material
- Sealing: EPDM FKM HNBR PTFE
- Connection standard: DIN SMS ISO IDF RJT BS4825 ASME BPE 3A DIN11864 DIN11853
- Connection method: Thread, clamp, welding, flange
- Drive mode: manual, pneumatic, electric
- Finish: Ra≤0.6 μm; MP=Ra≤0.3 μm; EP=Ra≤0.3 μm
- Certification: FDA 177.2600; 3A-64-00; Glass II USP Glass VI Chapter 88; GB4806.11; EG VO/1935-2004; PED/97/23/EC.

非常灵活的阀体组合和连接方式 Very Flexible Valve Body Combination And Connection Method



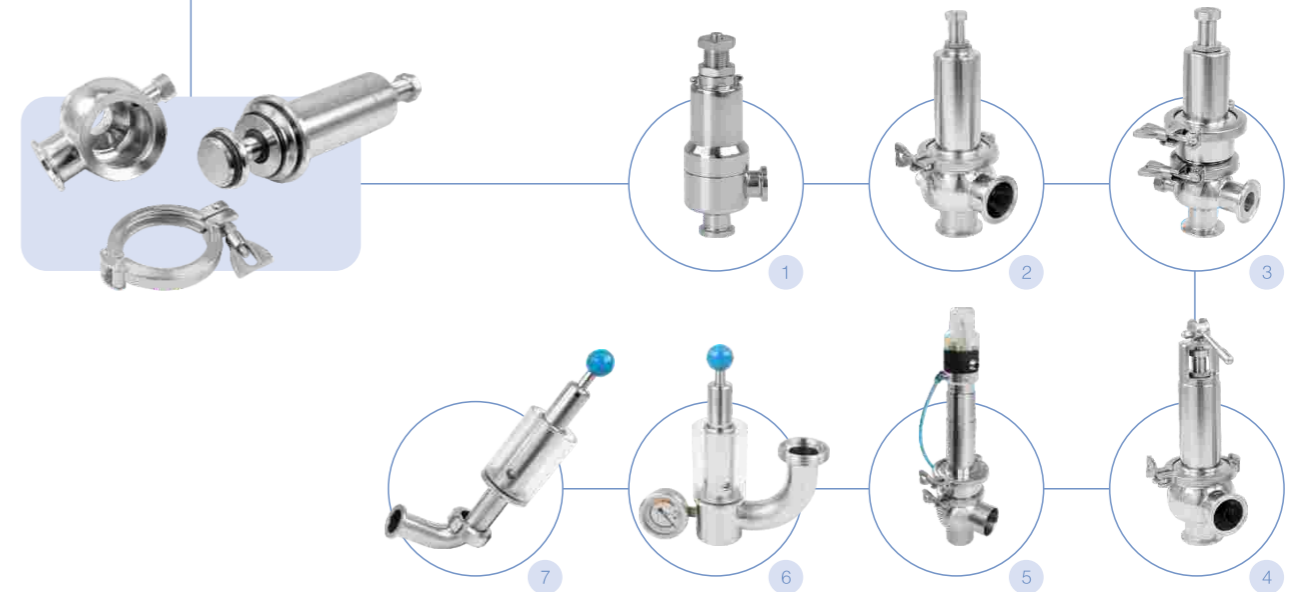
不同连接方式 Different Connection Methods

- | | | | |
|------|--------|-----------|------------------------|
| 1、卡箍 | 4、无菌法兰 | 1. Clamp | 4. Aseptic flange |
| 2、螺纹 | 5、法兰 | 2. Thread | 5. Flange |
| 3、螺母 | 6、管路连接 | 3. Nut | 6. Pipeline connection |



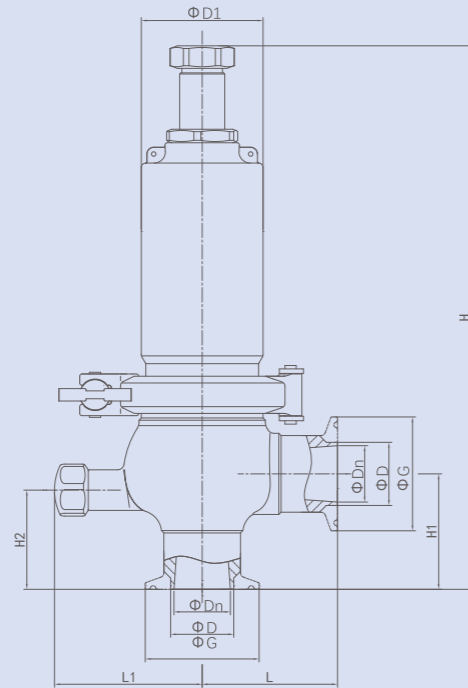
AQ-YL type

- | | |
|--------------|--|
| 1、迷你安全阀 | 1. Mini safety valve |
| 2、标准型安全阀 | 2. Standard safety valve |
| 3、气动安全阀 | 3. Pneumatic safety valve |
| 4、手动快排式安全阀 | 4. Manual quick-discharge safety valve |
| 5、气动安全阀+控制单元 | 5. Pneumatic safety valve + control unit |
| 6、视窗式安全阀 | 6. Window type safety valve |
| 7、视窗式安全阀 | 7. Window type safety valve |



安全阀 Safety valve

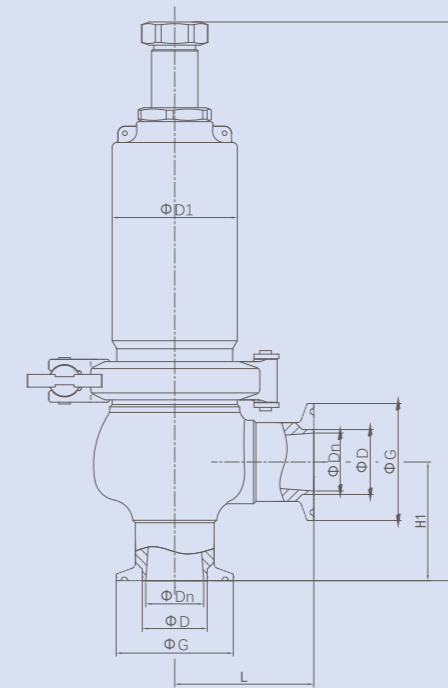
2019款安全阀外形尺寸图



INCH									
规格	D	Dn	G	L	L1	H1	H2	H	D1
1"	25.4	22.4	50.5	60	65.5	51.2	44	241	54
1.25"	31.8	28.8	50.5	60	65.5	51.2	44	241	54
1.5"	38.1	35.1	50.5	60	71.5	62	51	284	54
2"	50.8	47.8	64	77	77	66	49	294	58
2.5"	63.5	59.5	77.5	85	81	77	51	322	70
3"	76.2	72.2	91	92	87.5	93	65	341	70
4"	101.6	97.6	119	115	106	111	70	421	91

DIN									
规格	D	Dn	G	L	L1	H1	H2	H	D1
DN25	28	25	50.5	60	65.5	51.2	44	241	54
DN32	34	31	50.5	60	65.5	51.2	44	241	54
DN40	40	37	50.5	60	71.5	62	51	284	54
DN50	52	49	64	77	77	66	49	294	58
DN65	70	66	91	92	87.5	93	65	341	70
DN100	104	100	119	115	106	111	70	421	91

2019款溢流阀外形尺寸图

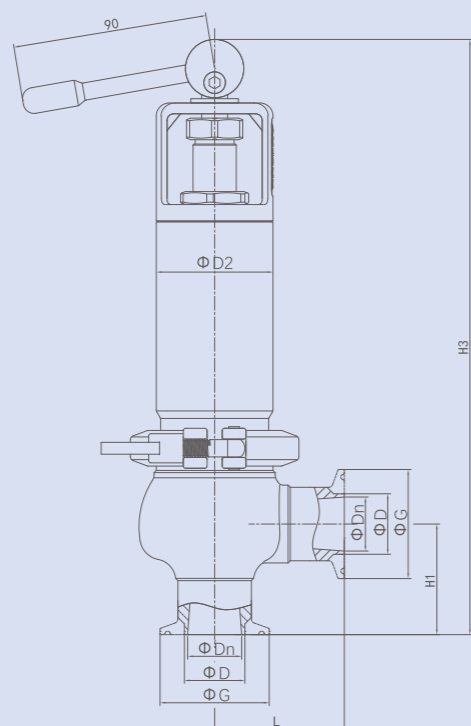


INCH							
规格	D	Dn	G	L	H1	H	D1
1"	25.4	22.4	50.5	60	51.2	241	54
1.25"	31.8	28.8	50.5	60	51.2	241	54
1.5"	38.1	35.1	50.5	65	62	284	54
2"	50.8	47.8	64	77	66	294	58
2.5"	63.5	59.5	77.5	85	77	322	70
3"	76.2	72.2	91	92	93	341	70
4"	101.6	97.6	119	115	111	421	91

DIN							
规格	D	Dn	G	L	H1	H	D1
DN25	28	25	50.5	60	51.2	241	54
DN32	34	31	50.5	60	51.2	241	54
DN40	40	37	50.5	65	62	284	54
DN50	52	49	64	77	66	294	58
DN65	70	66	91	92	93	341	70
DN100	104	100	119	115	111	421	91

安全阀 Safety valve

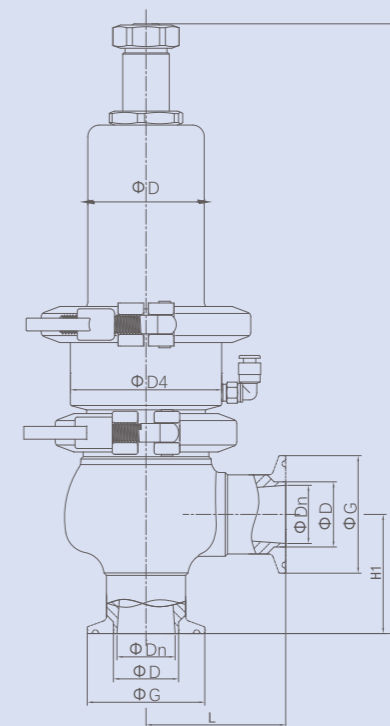
2019款手动快排溢流阀外形尺寸图



INCH							
规格	D	Dn	G	L	H1	H3	D1
1"	25.4	22.4	50.5	60	51.2	275.5	54
1.25"	31.8	28.8	50.5	60	51.2	275.5	54
1.5"	38.1	35.1	50.5	65	62	313.5	54
2"	50.8	47.8	64	77	66	327	58
2.5"	63.5	59.5	77.5	85	77	355	70
3"	76.2	72.2	91	92	93	375.5	70

DIN							
规格	D	Dn	G	L	H1	H3	D2
DN25	28	25	50.5	60	51.2	275.5	54
DN32	34	31	50.5	60	51.2	275.5	54
DN40	40	37	50.5	65	62	313.5	54
DN50	52	49	64	77	66	327	58
DN65	70	66	91	92	93	375.5	70

2019款气动快排溢流阀外形尺寸图

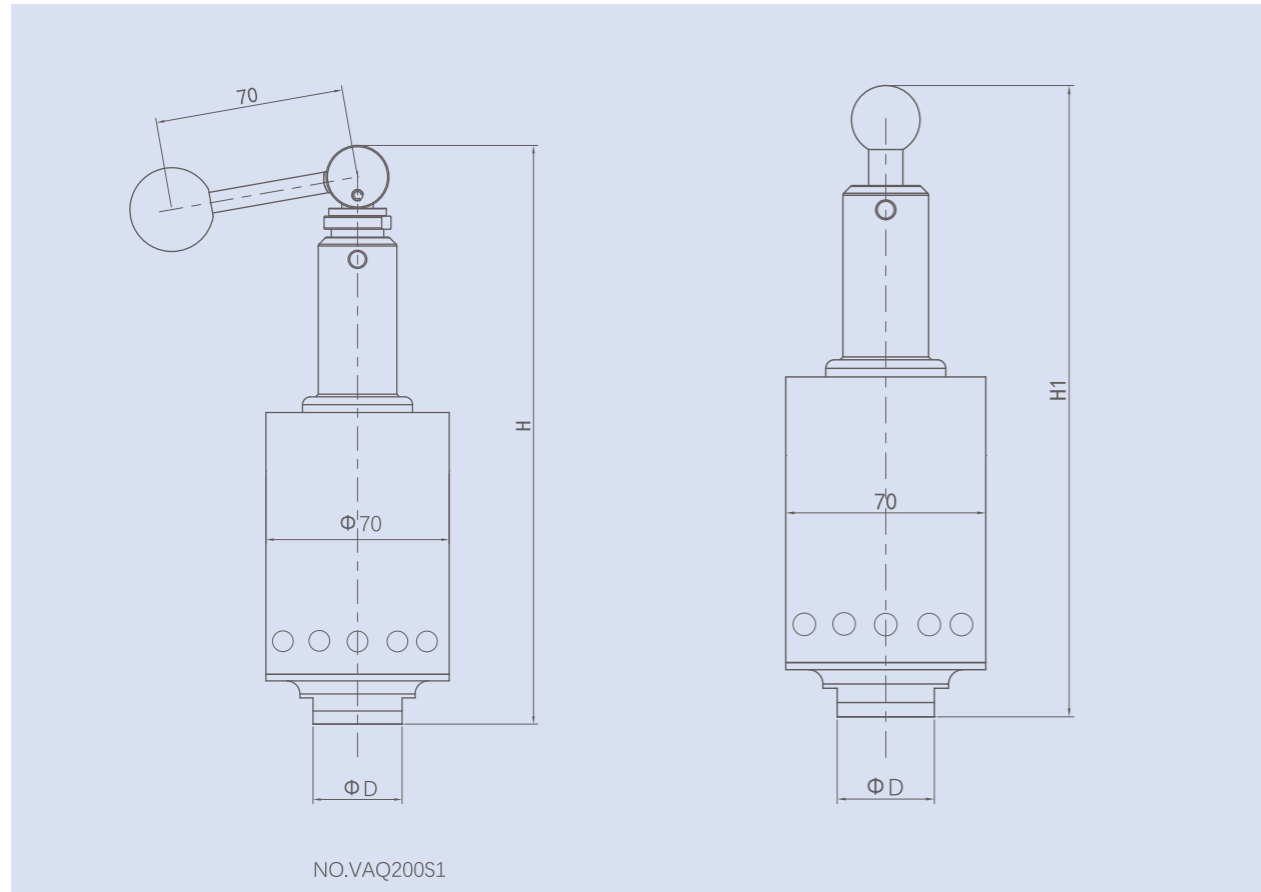


INCH								
规格	D	Dn	G	L	H1	H4	D3	D4
1"	25.4	22.4	50.5	60	51.2	261.5	50	65
1.25"	31.8	28.8	50.5	60	51.2	261.5	50	65
1.5"	38.1	35.1	50.5	65	62	294	50	78
2"	50.8	47.8	64	77	66	306.5	50	78
2.5"	63.5	59.5	77.5	85	77	325	58	90
3"	76.2	72.2	91	92	93	366.5	68	116
4"	101.6	97.6	119	115	111	498.5	100	160

DIN								
规格	D	Dn	G	L	H1	H4	D3	D4
DN25	28	25	50.5	60	51.2	261.5	50	65
DN32	34	31	50.5	60	51.2	261.5	50	65
DN40	40	37	50.5	65	62	294	50	78
DN50	52	49	64	77	66	306.5	50	78
DN65	70	66	91	92	93	366.5	68	116
DN100	104	100	119	115	111	498.5	100	160

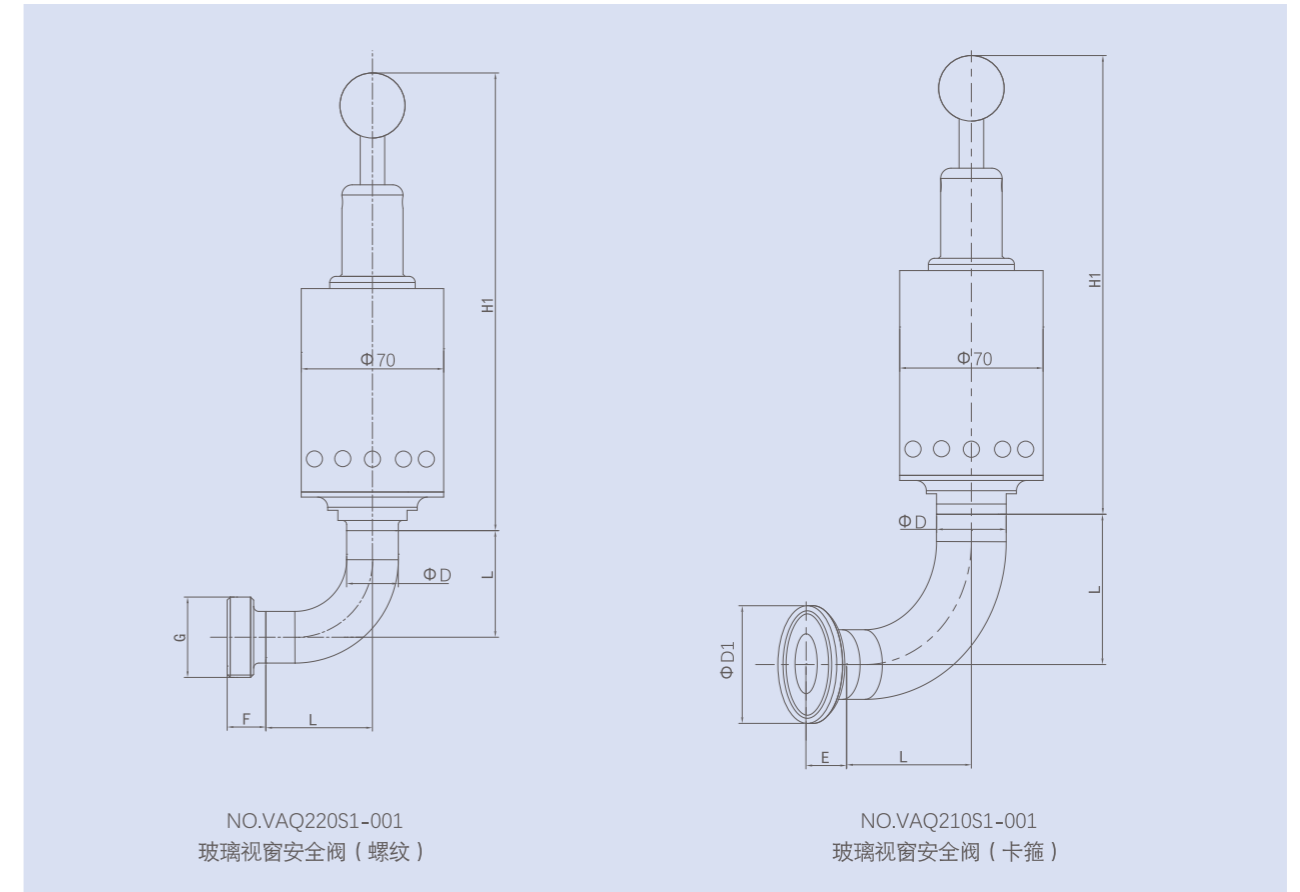
安全阀 Safety valve

玻璃视窗安全阀排气阀



DIN				INCH			
规格	D	H	H1	规格	D	H	H1
DN15	18	221	225	0.75"	19	221	225
DN20	22	221	225	1"	25.4	221	225
DN25	28	221	225	1.25"	31.8	221	225
DN32	34	221	225	1.5"	38.1	221	225
DN40	40	221	225				

玻璃视窗安全阀排气阀



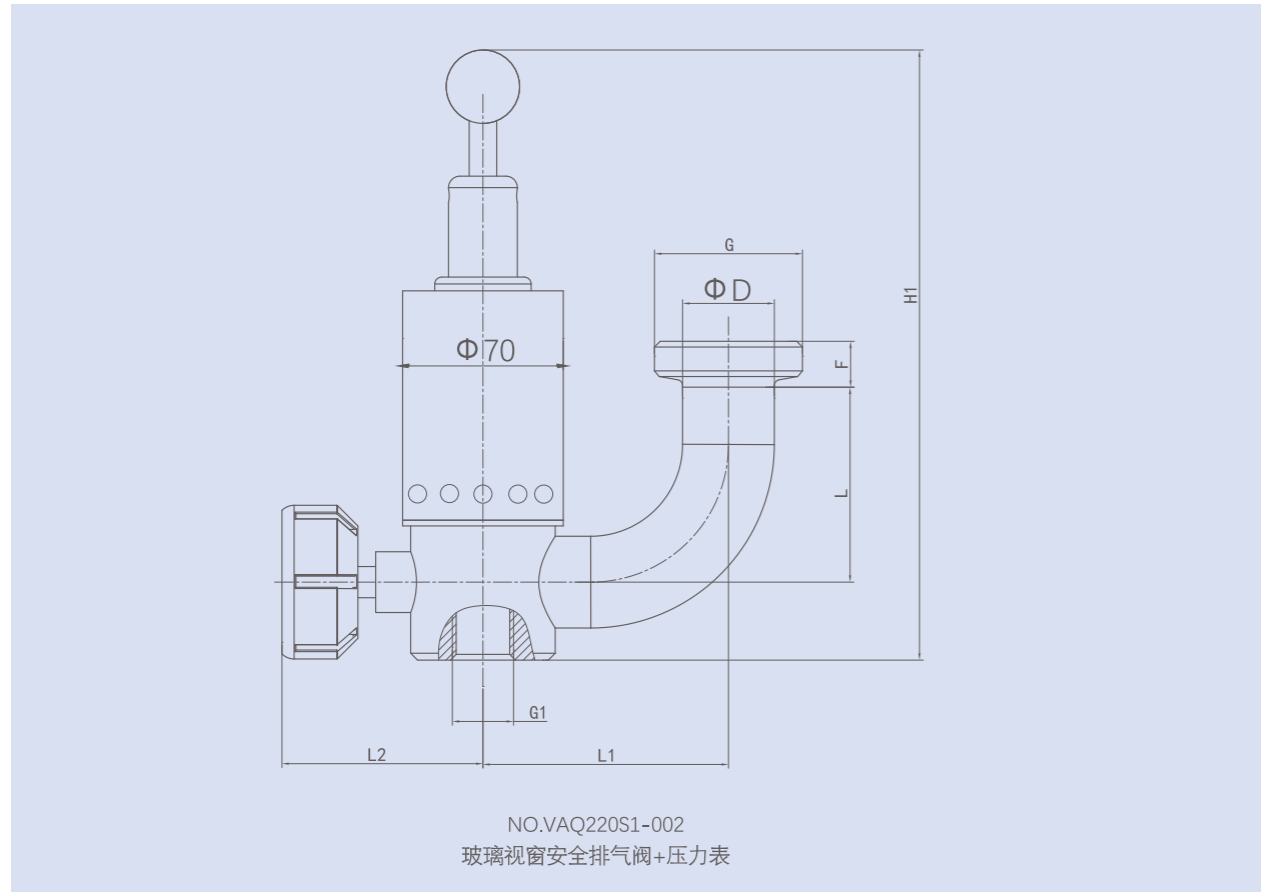
DIN							
规格	D	H1	D1	L	E	F	D2
DN15	18	225	34	47	12.7	19	RD34X1/8
DN20	22	225	34	52	12.7	20	RD44X1/6
DN25	28	225	50.5	70	12.7	20	RD52X1/6
DN32	34	225	50.5	78	12.7	20	RD58X1/6
DN40	40	225	50.5	85	12.7	20	RD65X1/6

INCH							
规格	D	H1	D1	L	E	F	G
0.75"	19	225	25	38	12.7	19	RD36X1/8
1"	25.4	225	50.5	52.4	12.7	18	RD40X1/6
1.25"	31.8	225	50.5	69.7	12.7	20	RD48X1/6
1.5"	38.1	225	50.5	74.6	12.7	20	RD60X1/6

注意：以上数据图相关尺寸不作为实物最终依据，东正保留对于数据更新权限不再另行通知。
Note: The relevant dimensions of the above data diagrams are not regarded as the final basis of the actual object. Dongzheng reserves the right to update the data without further notice.

安全阀 Safety valve

玻璃视窗安全阀排气阀

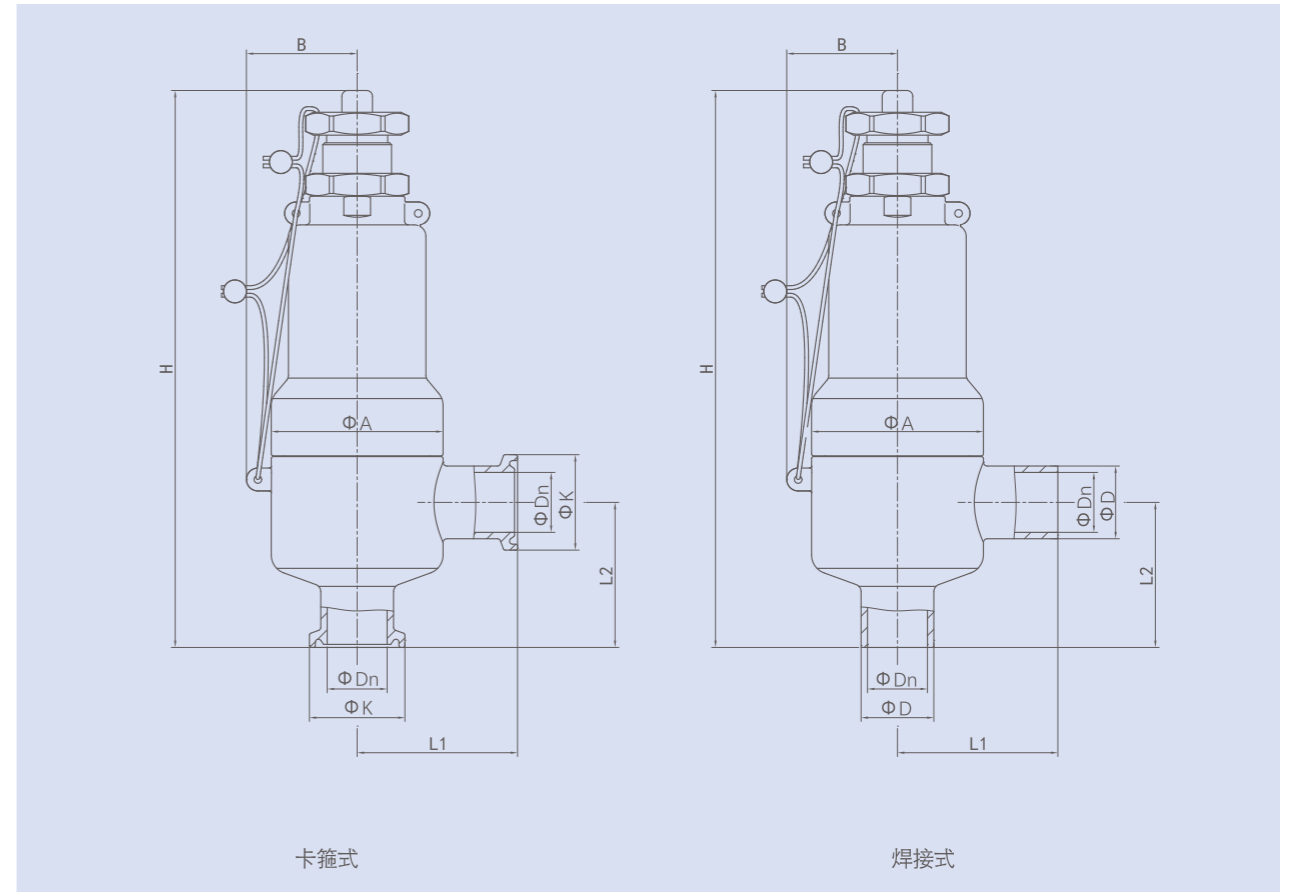


DIN								
规格	G	D	H1	L	L1	L2	F	G
DN25	BSP 1/2"	28	267	70	98	88	20	RD52X1/6
DN32	BSP 1/2"	34	267	78	103	88	20	RD58X1/6
DN40	BSP 1/2"	40	267	85	107	88	20	RD65X1/6

INCH								
规格	G	D	H1	L	L1	L2	F	G
1"	BSP 1/2"	25.4	267	52.4	80.4	88	19	RD40X1/6
1.25"	BSP 1/2"	31.8	267	69.7	94.7	88	18	RD48X1/6
1.5"	BSP 1/2"	38.1	267	74.6	97	88	20	RD60X1/6

注意：以上数据图相关尺寸不作为实物最终依据，东正保留对于数据更新权限不再另行通知。
Note: The relevant dimensions of the above data diagrams are not regarded as the final basis of the actual object. Dongzheng reserves the right to update the data without further notice.

2023款迷你型安全阀-外形尺寸图

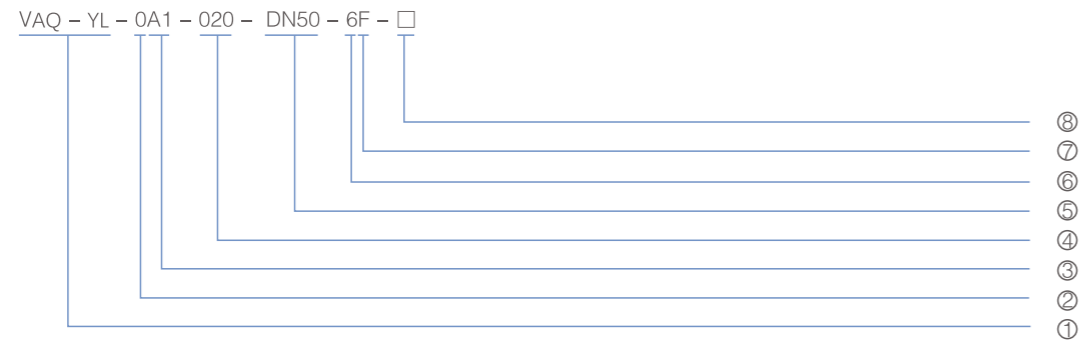


迷你型安全阀								
规格	D	Dn	K	A	B	H	L1	L2
0.5"	12.7	9.4	25	45	29	146	42	34.7
0.75"	19.1	15.7	25	45	29	146	42	38



安全阀 Safety valve

安全溢流阀货号编制规则



① 阀门类型代码

VAQ-YL: 安全溢流阀
VAQ-TS: 认证安全阀

② 阀门连接方式

0-焊接式; 1-卡箍式; 3-外螺纹式; 5-由任螺母式

③ 表示阀门执行机构

A1-基本款; S1-手动快排 (仅适用于VAQ-YL系列)
Q1-气动快排 (仅适用于VAQ-YL系列)

④ 表示阀体结构类型

1-20型阀体 (默认); 2-30型阀体 (可选); 4-22型四通阀体 (可选)

⑤ 表示阀门规格

INCH系列(不分标准)	DIN系列	ISO系列	3A系列	SMS系列	RJT系列
OD 1/2"	DN 15	ISO 1/2"	3A 1/2"	SMS 25	RJT 1/2"
OD 3/4"	DN 20	ISO 3/4"	3A 3/4"	SMS 32	RJT 3/4"
OD 1"	DN 25	ISO 1"	3A 1"	SMS 38	RJT 1"
OD 1 1/4"	DN 32	ISO 1 1/4"		SMS 51	RJT 1 1/4"
OD 1 1/2"	DN 40	ISO 1 1/2"	3A 1 1/2"	SMS 63	RJT 1 1/2"
OD 2"	DN 50	ISO 2"	3A 2"	SMS 76	RJT 2"
OD 2 1/2"	DN 65	ISO 2 1/2"	3A 2 1/2"	SMS 89	RJT 2 1/2"
OD 3"	DN 80	ISO 3"	3A 3"	SMS 102	RJT 3"
OD 3 1/2"	DN 100	ISO 3 1/2"			RJT 3 1/2"
OD 4"	DN 125	ISO 4"	3A 4"		RJT 4"

⑥ 表示阀体材质 (与介质接触部分)

6-AISI 316L; 4-AISI 304

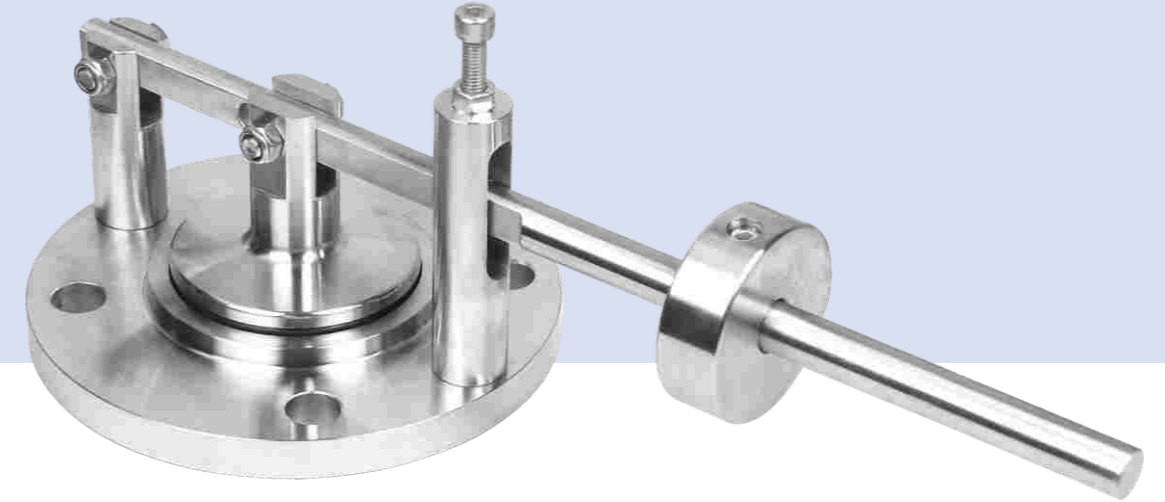
⑦ 表示密封材质 (与介质接触部分)

E-EPDM(默认); F-FPM; P-PTFE;

⑧ 表示附件信息

0-无附件 (此位可省略); F-TOP1553; C1-带1只传感器 (仅适用于1"-4", S1/Q1机构)

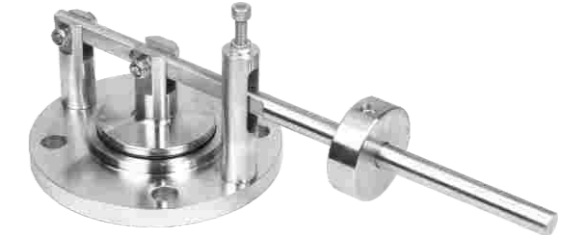
排气阀/防止真空阀 Exhaust valve, Prevent vacuum valve



DJ-AK-PQG type

杠杆式排气阀 Lever type exhaust valve

SIZE: DN25-DN100; 1"-4"
排气压力Exhaust pressure: 0.5-3bar
工作温度Working temperature: 130°C
密封Sealing: EPDM、FKM
材质Material: 304/1.4301; 316L/1.4404



DJ-AK-GZK type

杠杆式防止真空阀 Lever type anti-vacuum valve

SIZE: DN25-DN100; 1"-4"
真空压力Vacuum pressure: -0.5 到 -0.9bar
工作温度Working temperature: 130°C
密封Sealing: EPDM、FKM
材质Material: 304/1.4301; 316L/1.4404



排气阀/呼吸阀 Exhaust valve, Breathing valve



DJ-AK-PQF type

浮球式排气阀 Float type exhaust valve

浮球排气阀是一款利用浮球密度 < 液体的密度，而产生的排气和关闭。
The float exhaust valve is a while the exhaust gas is generated and closed.

SIZE: DN25-DN40; 1"-1.5"
工作压力Working pressure: 5bar
材质Material: 316L/1.4404
工作温度Working temperature: 80°C PP; 120°C EPDM
材质Material: 316L/1.4404



DJ-AK-HXF type

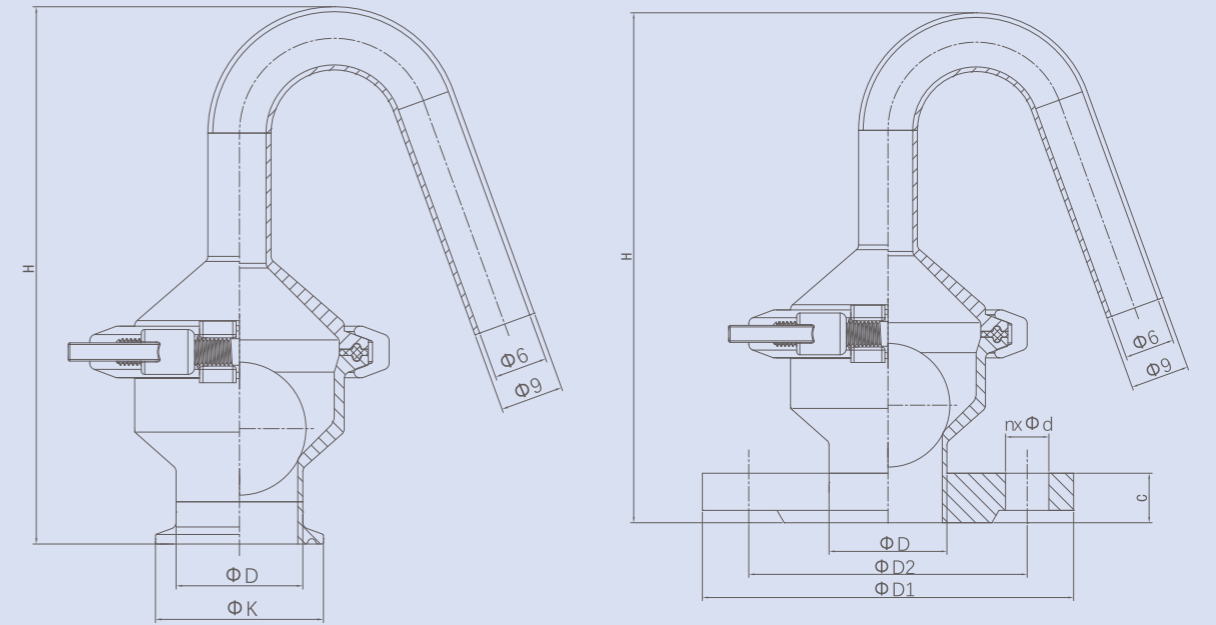
呼吸阀 Breathing valve

呼吸阀是一款可以破真空和压力过载排气的多功能阀门。
可排气、破真空、体积小、简单、经济、高效。
The breathing valve is a multifunctional valve that can break vacuum and exhaust pressure from overload. Can exhaust, break vacuum, small size, simple, economical and efficient.

SIZE: DN25-DN100; 1"-4"
真空压力Vacuum pressure: -0.5 到 -0.9bar
排气压力Exhaust pressure: 0.5-2bar
工作温度Working temperature: 130°C
密封Sealing: EPDM、FKM、Silicon
材质Material: 304/1.4301; 316L/1.4404



排气阀-外形尺寸图



NO.VAQ410A1
排气阀 (卡箍式)

NO.VAQ440A1
排气阀 (法兰式)

排气阀-外形尺寸图

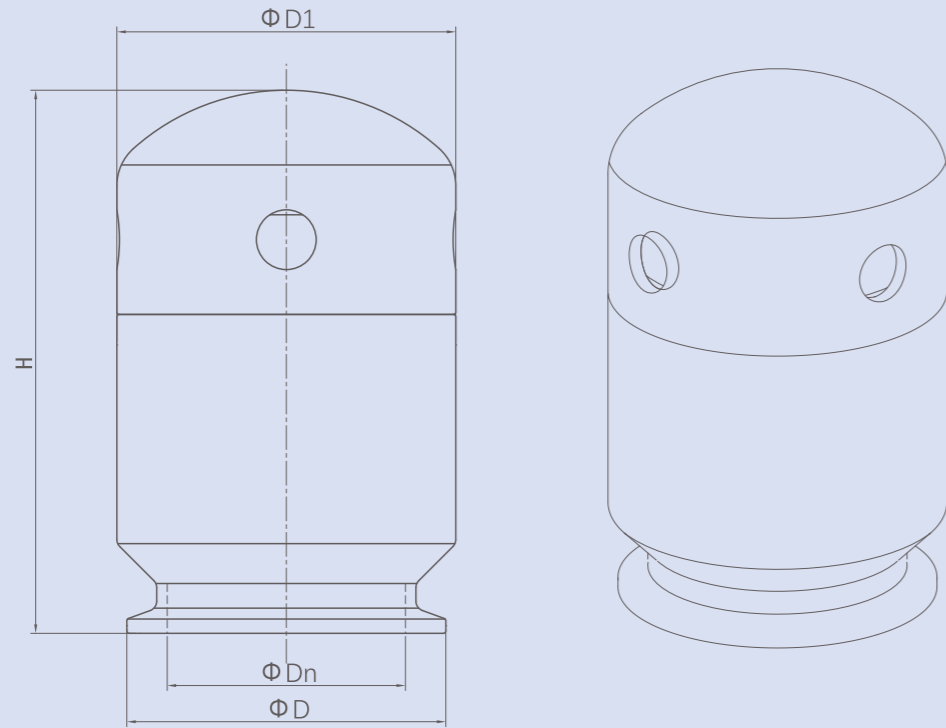
规格	D	K	H	规格	D	D1	D2	C	nxΦd	H
1"	25.4	50.5	162	1"	25.4	115	85	14	4X14	165
1.5"	38.1	50.5	162	1.5"	38.1	145	110	18	4X18	165
2"	50.8	64	162							

排气阀和呼吸阀，呼吸器均是同一类型的编号

注意：以上数据图相关尺寸不作为实物最终依据，东正保留对于数据更新权限不再另行通知。
Note: The relevant dimensions of the above data diagrams are not regarded as the final basis of the actual object. Dongzheng reserves the right to update the data without further notice.

排气阀/呼吸阀 Exhaust valve, Breathing valve

2016款可调式呼吸阀-数据图



INCH					DIN				
规格	Dn	D	D1	H	规格	Dn	D	D1	H
1"	22.4	50.5	68	114	DN25	25	50.5	68	114
1.5"	35.1	50.5	68	114	DN40	37	50.5	68	114
2"	47.8	64	68	114	DN50	49	64	68	114
2.5"	59.5	77.5	68	114	DN65	66	91	120	175
3"	72.2	91	120	175	DN80	81	106	120	175
3.5"	85	106	120	175	DN100	100	119	120	175
4"	97.6	119	120	175					

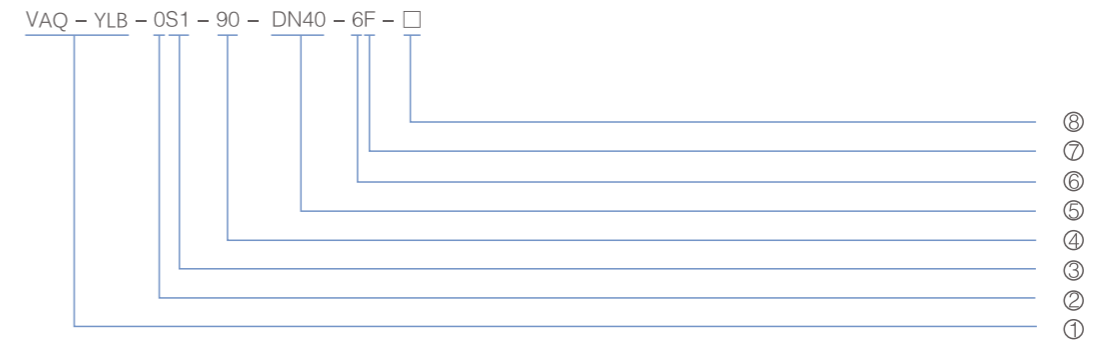
排气阀和呼吸阀，呼吸器均是同一类型的编号

注意：以上数据图相关尺寸不作为实物最终依据，东正保留对于数据更新权限不再另行通知。

Note: The relevant dimensions of the above data diagrams are not regarded as the final basis of the actual object. Dongzheng reserves the right to update the data without further notice.

带玻璃安全排气阀 Safety valve

带玻璃-安全排气阀货号编制规则



① 阀门类型代码

VAQ-YLB: 带玻璃排气阀

② 阀门连接方式

0-焊接式; 1-卡箍式; 3-外螺纹式; 5-由任螺母式

③ 表示阀门执行机构

S1-直拉式手动; S2-扳手式手动

④ 表示阀体结构类型

0-0度出口(默认); 90-90度弯头出口; 180-180度出口带压力表

⑤ 表示阀门规格

INCH系列(不分标准)	DIN系列	ISO系列	3A系列	SMS系列	RJT系列
	DN 15			SMS 25	
OD 3/4"	DN 20	ISO 3/4"	3A 3/4"	SMS 32	RJT 3/4"
OD 1"	DN 25	ISO 1"	3A 1"	SMS 38	RJT 1"
OD 1 1/4"	DN 32	ISO 1 1/4"		SMS 51	RJT 1 1/4"
OD 1 1/2"	DN 40	ISO 1 1/2"	3A 1 1/2"	SMS 63	RJT 1 1/2"

⑥ 表示阀体材质(与介质接触部分)

6-AISI 316L; 4-AISI 304

⑦ 表示密封材质(与介质接触部分)

E-EPDM; F-FPM

⑧ 表示附件信息

0-无附件(此位可省略); G6-带压力表0-6bar(仅适用于180度出口型); G10-带压力表0-10bar(仅适用于180度出口型)

呼吸阀 Breathing valve

呼吸阀货号编制规则



① 阀门类型代码

VAK-HXF: 呼吸阀

② 阀门连接方式

1-卡箍式(默认); 3-外螺纹式; 5-由任螺母式

③ 表示阀门执行机构

A1-自动开启式

④ 表示阀门规格

INCH系列(不分标准)	DIN系列	ISO系列	3A系列	SMS系列	RJT系列
OD 1"	DN 25	ISO 1"	3A 1"	SMS 25	RJT 1"
OD 1 1/4"	DN 32	ISO 1 1/4"		SMS 32	RJT 1 1/4"
OD 1 1/2"	DN 40	ISO 1 1/2"	3A 1 1/2"	SMS 38	RJT 1 1/2"
OD 2"	DN 50	ISO 2"	3A 2"	SMS 51	RJT 2"
OD 2 1/2"	DN 65	ISO 2 1/2"	3A 2 1/2"	SMS 63	RJT 2 1/2"
OD 3"	DN 80	ISO 3"	3A 3"	SMS 76	RJT 3"
OD 3 1/2"	DN 100	ISO 3 1/2"		SMS 89	RJT 3 1/2"
OD 4"		ISO 4"	3A 4"	SMS 102	RJT 4"

⑤ 表示阀体材质(与介质接触部分)

6-AISI 316L; 4-AISI 304

⑥ 表示密封材质(与介质接触部分)

E-EPDM; F-FPM

排气阀 Exhaust valve

排气阀货号编制规则



① 阀门类型代码

VAK-PQF: 浮球式排气阀

② 阀门连接方式

0-焊接式; 1-卡箍式(默认)

③ 表示执行机构

A1-自动开启式

④ 表示阀门规格

INCH系列(不分标准)	DIN系列	ISO系列	3A系列	SMS系列	RJT系列
OD 1"	DN 25	ISO 1"	3A 1"	SMS 25	RJT 1"
OD 1 1/2"	DN 40	ISO 1 1/2"	3A 1 1/2"	SMS 38	RJT 1 1/2"
OD 2"	DN 50	ISO 2"	3A 2"	SMS 51	RJT 2"

⑤ 表示阀体材质(与介质接触部分)

6-AISI 316L; 4-AISI 304

⑥ 表示密封材质(与介质接触部分)

E-EPDM; F-FPM