

DONJOY looking forward to your visit! Your telecommunications!



东正科技有限公司
DONJOY TECHNOLOGY CO.,LTD.

地址: 温州空港新区港富路25号
总机: 0577-86990888
传真: 0577-86998000

Add: No.25 Gang fu Road, konggang
new District, Longwan Wenzhou, China
Tel: +86-577-86990888
Fax: +86-577-86998000
E-mail: donjoy@cndonjoy.com

www.cndonjoy.com

法律声明:
目录样册版权归东正所有, 如有抄袭, 必将追究其法律责任和经济赔偿。
东正已获得国家版权局书刊号。东正诸多产品技术, 都具有专利保护, 如有抄袭,
必将追究法律责任和经济赔偿。

Legal statement:
Copyright of the catalogue belongs to Donjoy. If there is plagiarism,
it will be investigated for legal responsibility and economic compensation.
Donjoy has been granted publications number by China's National Copyright.
Donjoy products and technology with patent protection,
If there is plagiarism, it will be investigated for legal responsibility
and economic compensation.

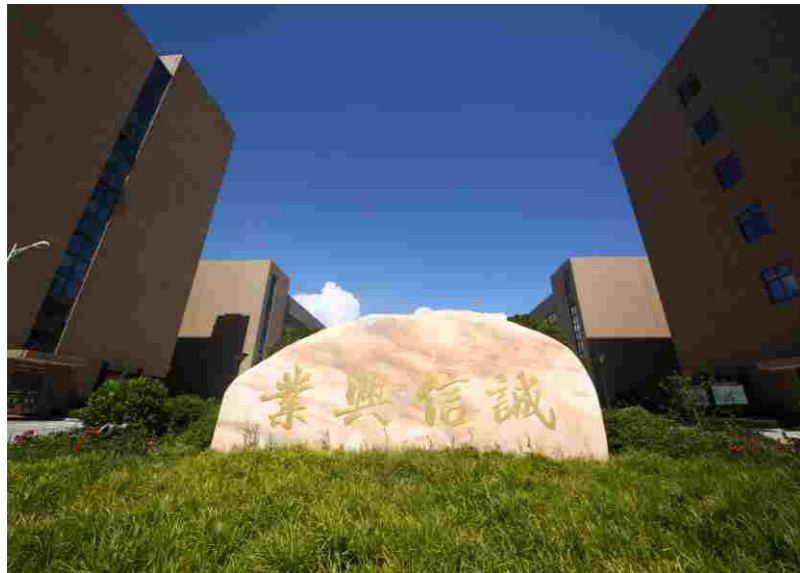
Globe valve

07-2 / 截止阀 / 智能制造



国家高新技术企业 专精特新企业

Advantages



30 YEARS

30年的阀门研发与制造
More than 30 years valve and pump R&d and Manufacturing

23 YEARS

23年的高洁净泵研发与制造
More than 23 years high purity pump R&d and Manufacturing

18 YEARS

18年的阀门控制器研发与制造
More than 18 years valve controller R&d and Manufacturing

15 YEARS

15年的清洗技术研发与制造
More than 15 years Cleaning technology R&d and Manufacturing

300

300多人的专业团队
A profession team of over 300 people

200

200多项知识产权
More than 200 intellectual property rights

30

30多项国际权威认证
More than 30 international authoritative certifications

20

20多项国家与省级荣誉
More than 20 national and provincial honors certificates

超过10年研发经验
工程师队伍
We have more than 10 years experienced engineer team in R & D.

日本Mazak
CNC复合型加工中心
CNC切削中心
CNC车床
Japan Mazak
CNC compound machining center
CNC cutting center
CNC lathe

发那科《Fanuc》
全自动机器人生产线
《Fanuc》 Automatic robot
production line

高新技术企业、
省著名商标、
主任质量奖、4项发明、
200余项专利
New high-tech enterprise.
Provincial famous trademark.
Director's Quality Award.4 inventions
More than 200 patents

欧盟CE
美国3-A, FDA
中国特种制造许可证 TS
防爆认证ATEX CNEX
European Union CE certificate
USA 3-A, FDA
China Special Manufacturing
License TS
ATEX CNEX

我们能为你提供
定制化技术服务和制造,
OEM ODM
We can provide
you OEM & ODM service

领先的检测手段,
30多台专业检测设备和
50多种检测方法, 确保
每个产品性能和精度
Advanced detection method.
More than 30 pcs professional
testing equipment. More than
50 inspection ways, insure product
performance and accuracy

30 YEARS

30年洁净领域的专注
30 years of focus in the field of cleanliness

30 YEARS

30年工程应用经验与市场考验
30 years of engineering application experience and market test

三十而立正蕴含着新的力量，
未来我们将一如既往的致力于技术革新！
We Donjoy have established for 30 years, still full of
new energy, in the future we will stick to concentrate on
technology innovation

Introduction

东正创立于1993年，占地面积29000m²，注册资本1.0558亿元，员工300余人，技术团队30余人，200余项知识产权，国际权威认证30余项，国家与省级荣誉证书20余项，且拥有国际领先的加工技术和制造设备，如Mazak CNC四轴、五轴加工中心、复合型切削中心、FANUC机器人生产线以及各种国际领先的检测设备。

东正制造的产品远销全球并获得国内外用户高度好评，我们产品和技术涵盖高洁净泵、阀门控制技术、PID自控阀门、高洁净阀门、容器管道安全控制技术、容器清洗技术、容器管道照明技术、过滤技术以及高洁净管道和配件等。广泛应用于生物制药、食品饮料、酿酒、精细化工、日化洗涤、纺织印染、电池和新能源等工业领域。

Donjoy is founded in 1993, covers an area of 29,000 square meters, registered capital of 105.58 million yuan, we have more than 300 employees, we have more than 30 persons technical team, we have more than 200 intellectual property rights, we have more than 30 authoritative international certification, we have more than 20 national and provincial certifications, and has an international leader of first processing technology and manufacturing equipment, such as Mazak CNC four axis, five axis machining center, compound cutting center, FANUC robot production line and various international collar first detection equipment, etc.

The products manufactured by Donjoy are sold all over the world and are highly praised by domestic and overseas Products and technology cover high purity pump, valve control technology, PID automatic control valve, high purity valve, container pipeline safety control technology, container cleaning technology, container pipe road lighting technology, filtration technology and high purity pipes and accessories. Widely used in the biopharmaceuticals, food and beverage, wine, fine chemicals, daily chemical washing, textile printing and dyeing, battery and new energy and other industrial fields.



Certification

东正——拥有诸多的产品认证和各种资质其包含国家高新技术、专精特新、省著名商标、知名商号、科技型、创新型、专利示范、研发中心、AAA重合同守信用等各种国家省市级权威荣誉证书。

产品认证:

- 美国卫生认证: 3-A: 涵盖了90%的产品, 其包含各种形式阀门、泵系列等。FDA: 177.2600,177.1550, 其包含各种橡胶和PTFE及各种密封制品等。
- 欧盟安全认证: CE: 其涵盖了100%各种阀门和泵系列: PED/2014/68/EC, MD06/42/EC。ATEX: 6大系列其包含阀门定位器、阀门控制单元、阀门位置反馈器等。
- 特种制造许可证: 国家安全阀特种制造许可证: TSF33008-2019
- 卫生许可批件: 浙卫水字(2012)第0056号
- 防爆认证: Ex db IIC T6 Gb, Ex tb IIIC T80°C Db



Donjoy has many product certification qualifications, including national high-tech, Specialized and very new, provincial famous trademark, well-known trade name, technology-based, innovative, patent demonstration, R&D center, AAA contract and trustworthy and other national, provincial and municipal authoritative honorary certificates.

- Product certification:
- U.S. Sanitary Certification
 - 3-A: Covers 90% of products, including all kinds of valves, pump, etc.
 - FDA: 177.2600, 177.1550, containing various rubber, PTFE and other sealing products.
 - EU safety certification
 - CE: covers all kinds of valves and pumps: PED/2014/68/EC, MD06/42/EC.
 - ATEX: 6 major series, including valve positioner, valve control unit, valve position feedback device, etc.
 - Special manufacturing license: National safety valve special manufacturing license: TSF33008-2019
 - Sanitation license approval document: Zhewei Shuizi (2012) No. 0056
 - Flameproof certification: Ex db IIC T6 Gb, Ex tb IIIC T80°C Db

截止阀 Globe valve

JZF type

截止阀具有与口径相等的通量，极小流阻，启闭无噪音，无死角，可适用于真空环境。用于开关阀，流量和口径相等，作为调节阀具有较好KV值曲线特性。

The globe valve has the same flux as the diameter, minimal flow resistance, no noise when opening and closing, no dead ends, it suitable for vacuum environments. When used for on-off valve, the flow rate and the diameter are equal; As a regulating valve, it has good KV value curve characteristics.



产品应用

截止阀是自动控制系统中常用的管路开关，被广泛应用于纺织、印染、漂白、食品、洗涤、化工、水处理、医药等各种自动机械设备，具有抗水锤、无噪声、密封性能可靠等特点。

Applications

Globe valve is a general switch in the automatic control system is widely used in printing, dyeing, bleaching, food, washing, chemical, water treatment, pharmacy and other automated machinery and equipment. It featured with water hammer protection, noise-free, reliable sealing performance.

技术特点

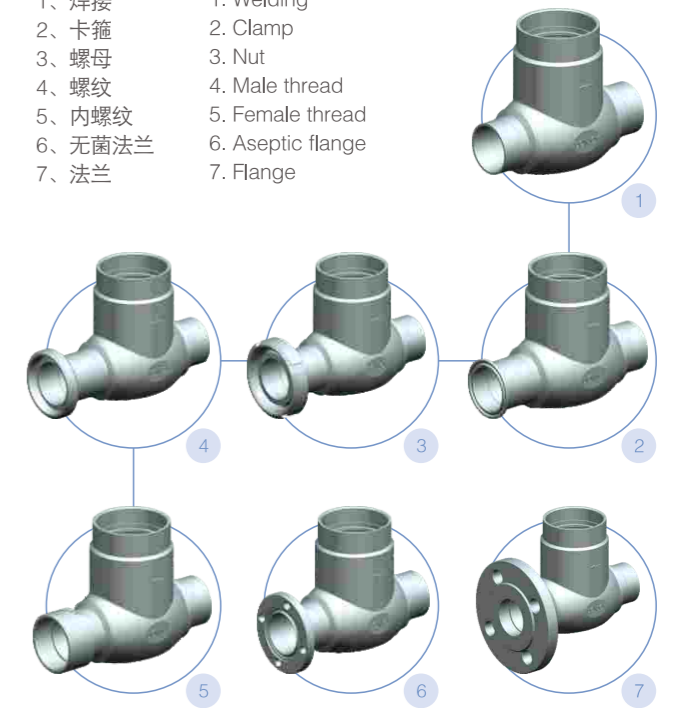
- 规格：1/4"-4", DN4-DN100
- 材质：316L/1.4404, ASME BPE 316L 1.4435 NB2 Fe≤0.5%
- 压力：真空~10bar(1.0 MPa)
- 温度：-20°C 到 +150°C, 取决于密封于材质
- 密封：PTFE/TFM/PEEK
- 连接标准：DIN SMS ISO IDF RJT BS4825 ASME BPE 3A DIN11864 DIN11853
- 连接方式：螺纹、卡箍、焊接、法兰
- 驱动方式：手动、气动、电动
- 光洁度：Ra≤0.6 μm; MP=Ra≤0.3 μm; EP=Ra≤0.3 μm
- 认证：FDA 177.2600; Glass II USP Glass VI Chapter 88; GB4806.11; EG VO/1935-2004; PED/97/23/EC;

Technical Features

- Specifications: 1/4"-4", DN4-DN100
- Material: 316L/1.4404, ASME BPE 316L 1.4435 NB2 Fe≤0.5%
- Pressure: vacuum to 10bar (1.0 MPa)
- Temperature: -20°C to +150°C, Depending on the seal material
- Sealing: PTFE/TFM/PEEK
- Connection standard: DIN SMS ISO IDF RJT BS4825 ASME BPE 3A DIN11864 DIN11853
- Connection method: thread, clamp, welding, flange
- Drive mode: manual, pneumatic, electric
- Finish: Ra≤0.6 μm; MP=Ra≤0.3 μm; EP=Ra≤0.3 μm
- Certification: FDA 177.2600; Glass II USP Glass VI Chapter 88; GB4806.11; EG VO/1935-2004; PED/97/23/EC;

不同连接方式 Different Connection Methods

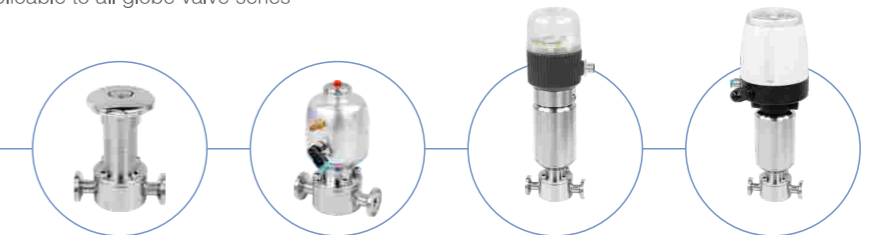
- | | |
|--------|-------------------|
| 1、焊接 | 1. Welding |
| 2、卡箍 | 2. Clamp |
| 3、螺母 | 3. Nut |
| 4、螺纹 | 4. Male thread |
| 5、内螺纹 | 5. Female thread |
| 6、无菌法兰 | 6. Aseptic flange |
| 7、法兰 | 7. Flange |



注意：不同的连接方式适用于所有的截止阀系列
Note: Different connection methods are applicable to all globe valve series

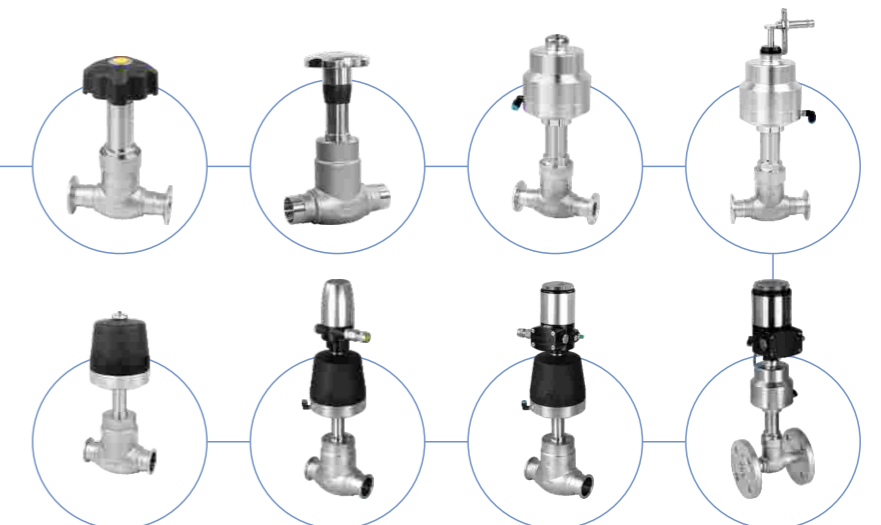
JZF-Mini

Size: DN4-DN20, 1/4"-3/4"



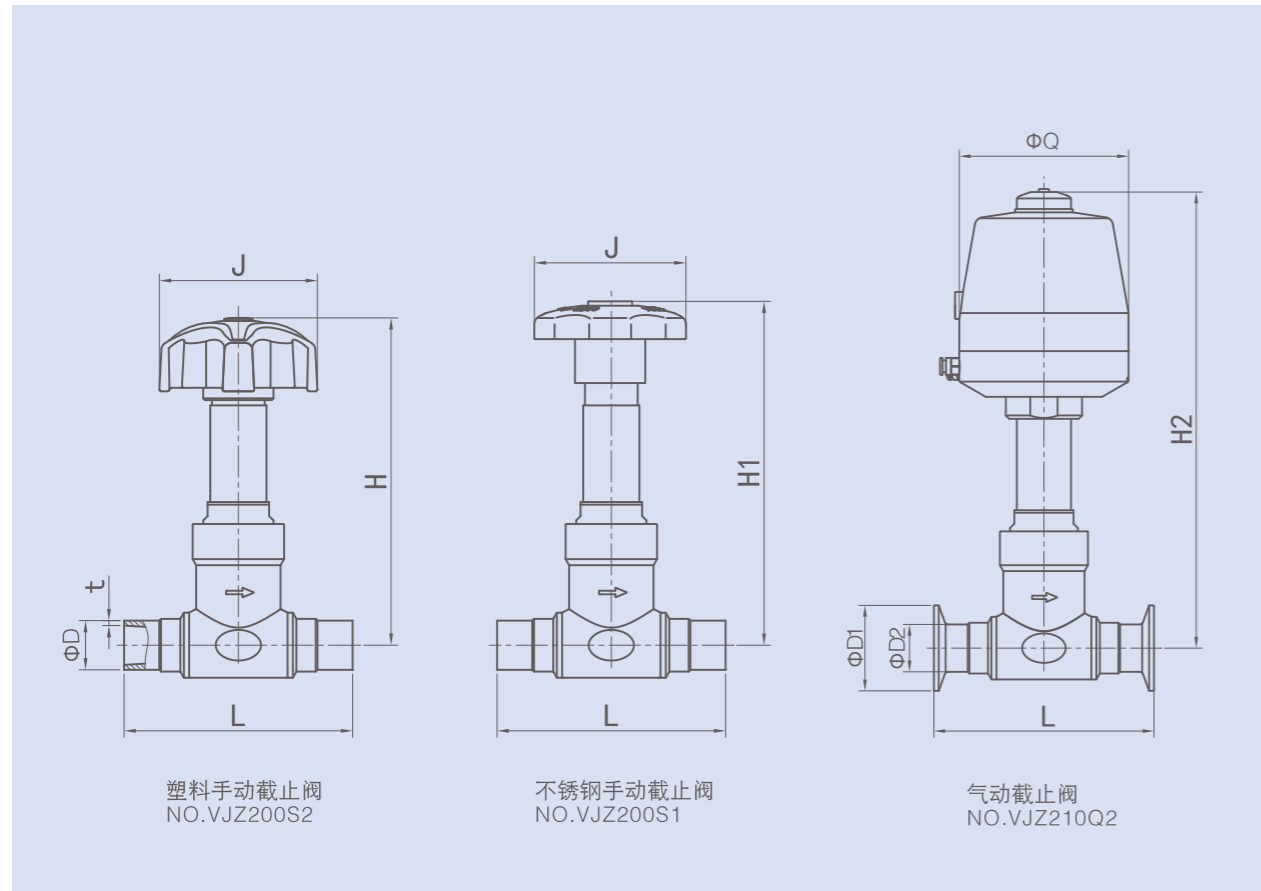
JZF

Size: 1"-2", DN25-DN50



截止阀 Globe valve

手动/气动截止阀-数据图

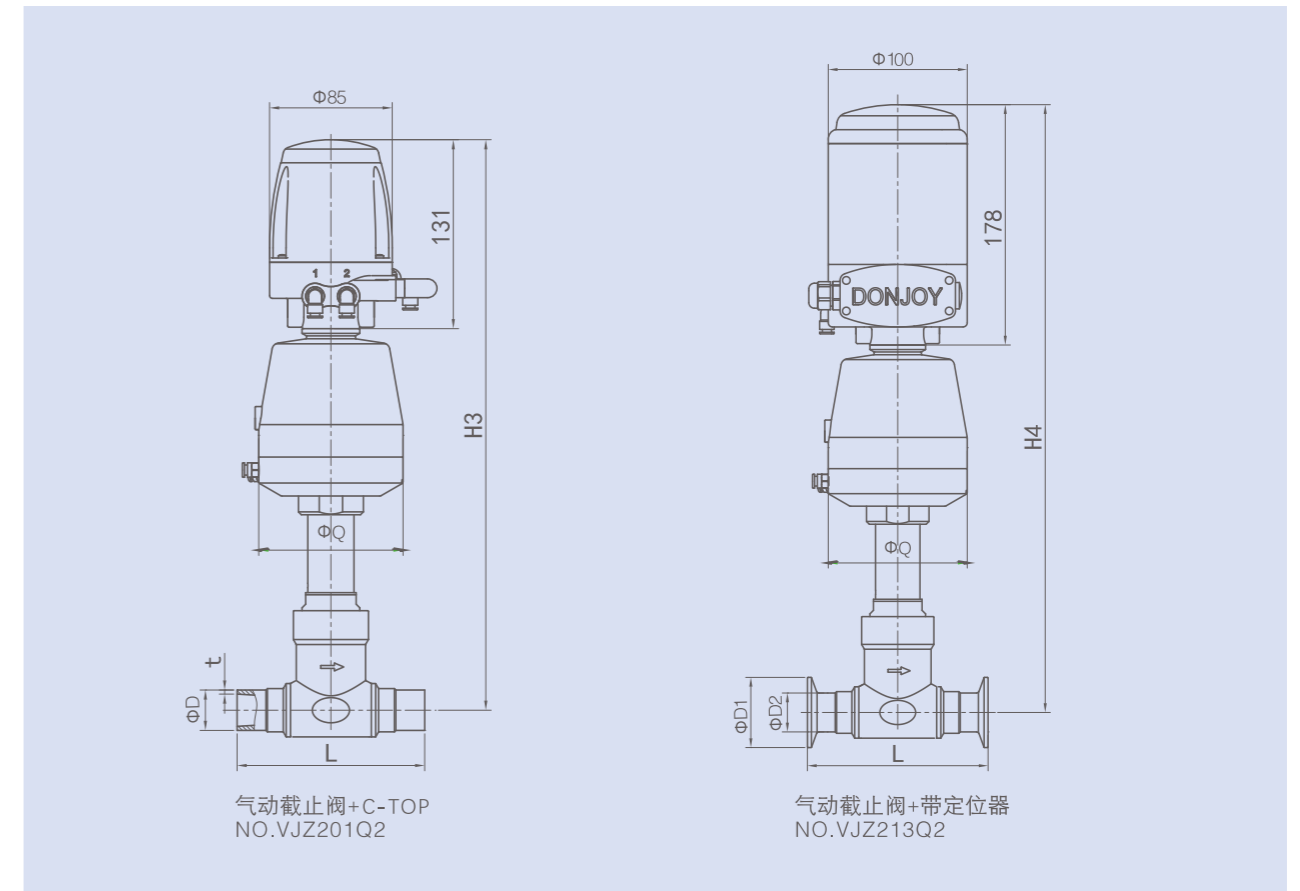


规格	t / mm	D	D1	D2	L	H	H1	H2	H3	H4	Q	J
0.5"	1.65	12.7	25	19	90	154.3	163	236.5	362.5	409.5	70	90
											100	
0.75"	1.65	19	25	19	90	154.3	163	236.5	362.5	409.5	70	90
											100	
1"	1.65	25.4	50.5	28	130	186.8	195.5	269.5	395.5	442.5	100	90
											137	
1.5"	1.65	38.1	50.5	40	150	205.8	214.5	329	455	502	137	90
2"	1.65	50.8	64	52	175	229.8	231.5	352.5	478.5	525.5	137	90



注意：以上数据图相关尺寸不作为实物最终依据，东正保留对于数据更新权限不再另行通知。
Note: The relevant dimensions of the above data diagrams are not regarded as the final basis of the actual object. Dongzheng reserves the right to update the data without further notice.

气动截止阀+C-TOP/气动截止阀+带定位器-数据图

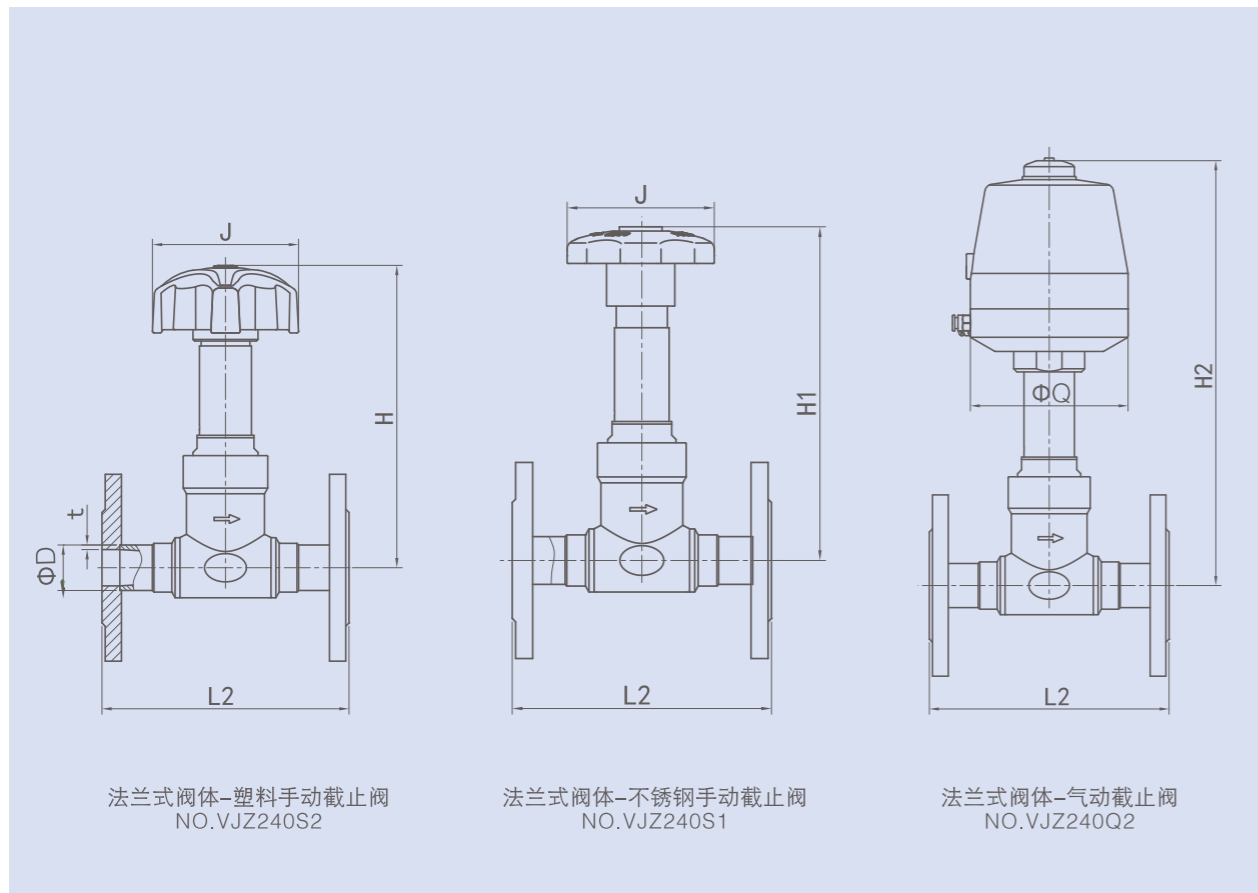


规格	t / mm	D	D1	D2	L	H	H1	H2	H3	H4	Q	J
DN10	1.5	13	34	19	90	154.3	163	236.5	362.5	409.5	70	90
											100	
DN15	1.5	18	34	19	90	154.3	163	236.5	362.5	409.5	70	90
											100	
DN20	1.5	22	34	19	90	154.3	163	236.5	362.5	409.5	70	90
											100	
DN25	1.5	28	50.5	28	130	186.8	195.5	269.5	395.5	442.5	100	90
											137	
DN40	1.5	38.1	50.5	40	150	205.8	214.5	329	455	502	137	90
DN50	1.5	52	64	52	175	229.8	231.5	352.5	478.5	525.5	137	90

注意：以上数据图相关尺寸不作为实物最终依据，东正保留对于数据更新权限不再另行通知。
Note: The relevant dimensions of the above data diagrams are not regarded as the final basis of the actual object. Dongzheng reserves the right to update the data without further notice.

截止阀 Globe valve

法兰式阀体-截止阀-数据图

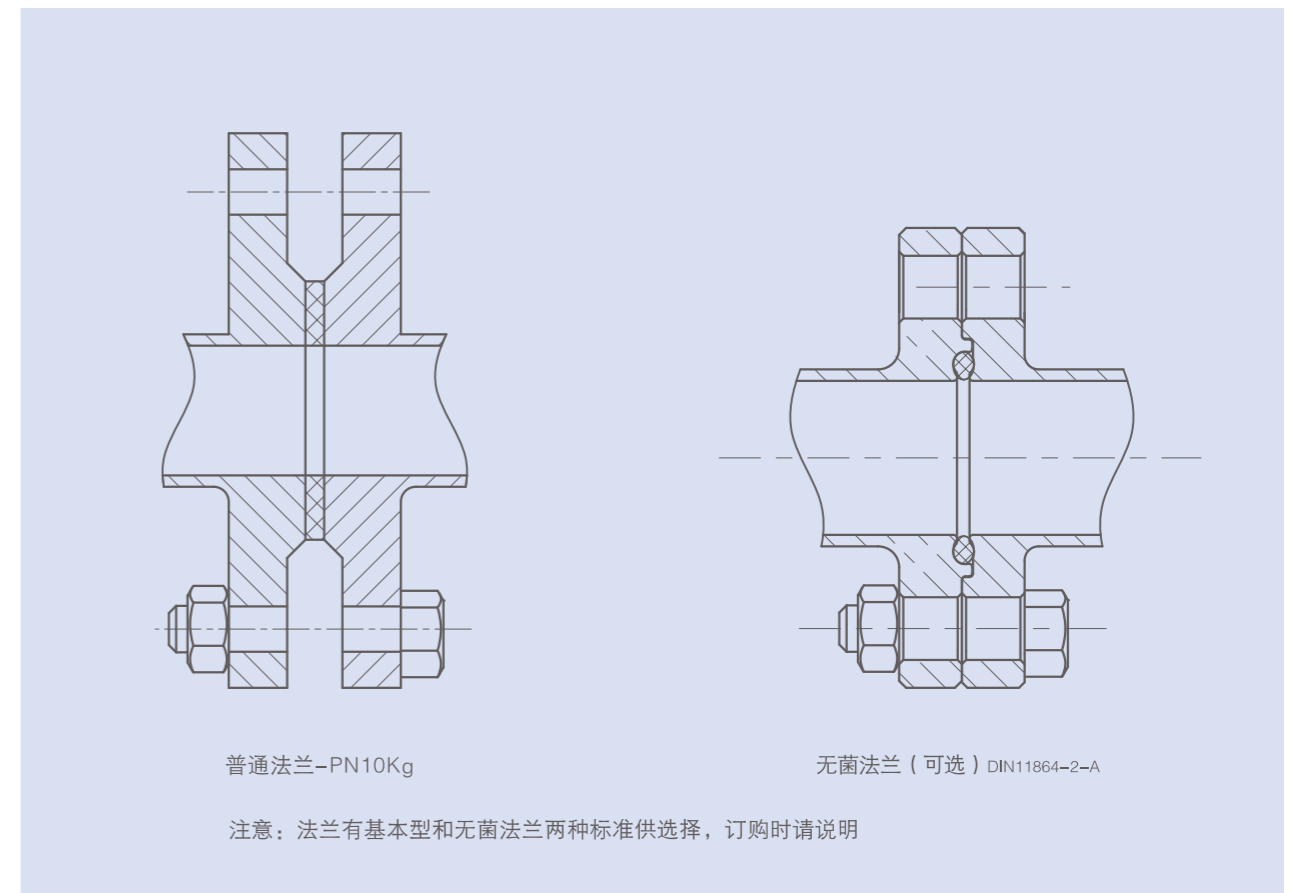


规格	t/mm	D	L2	H	H1	H2	Q	J
0.5"	1.65	12.7	112	154.3	163	236.5	70	90
							100	
0.75"	1.65	19	112	154.3	163	236.5	70	90
							100	
1"	1.65	25.4	116	186.8	195.5	269.5	70	90
							100	
1.5"	1.65	38.1	184	205.8	214.5	329	137	90
2"	1.65	50.8	209	229.8	231.5	352.5	137	90



注意：以上数据图相关尺寸不作为实物最终依据，东正保留对于数据更新权限不再另行通知。
Note: The relevant dimensions of the above data diagrams are not regarded as the final basis of the actual object. Dongzheng reserves the right to update the data without further notice.

法兰式阀体-截止阀-数据图

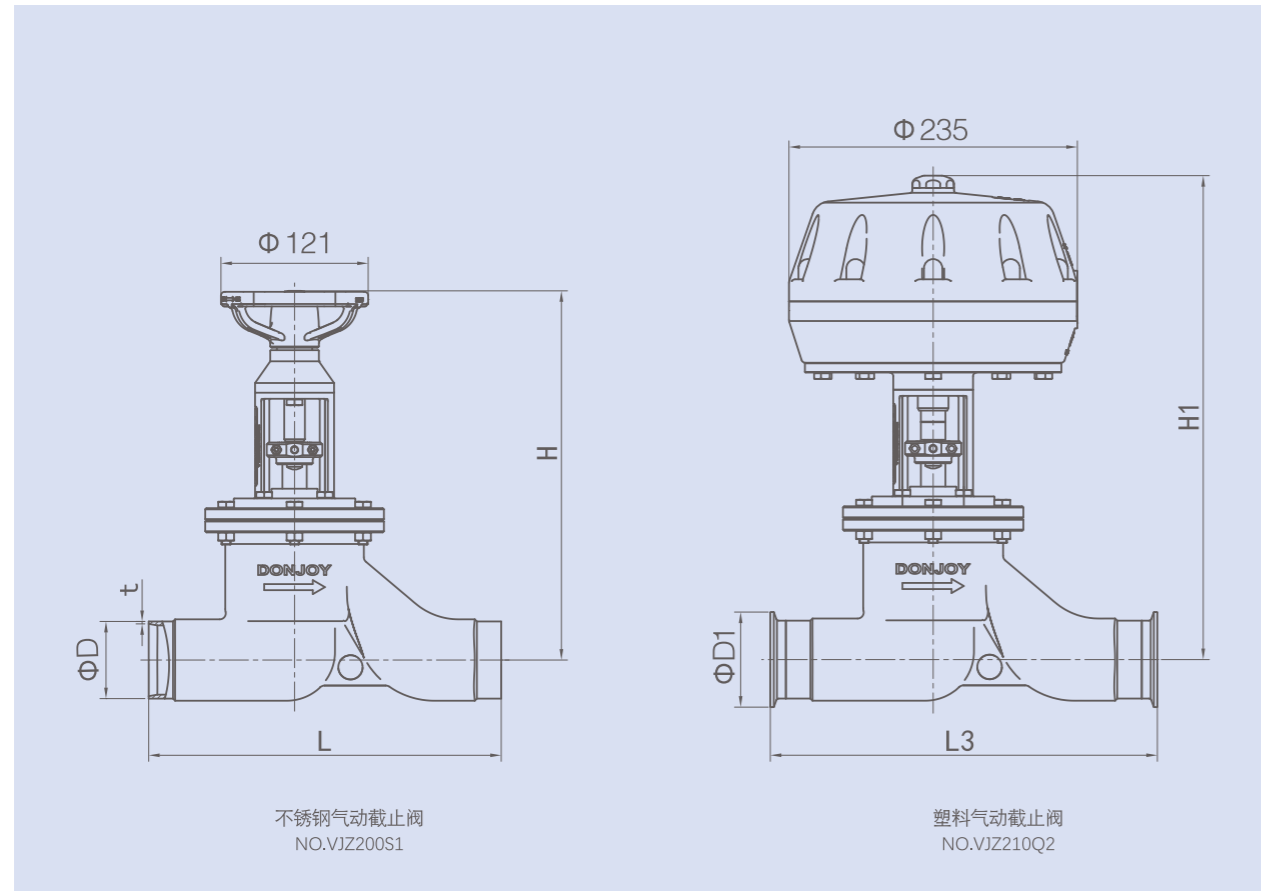


规格	t/mm	D	L2	H	H1	H2	Q	J
DN10	1.5	12.7	112	154.3	163	236.5	70	90
							100	
DN15	1.5	19	112	154.3	163	236.5	70	90
							100	
DN20	1.5	19	116	154.3	163	236.5	70	90
							100	
DN25	1.5	25.4	156	186.8	195.5	269.5	100	90
							137	
DN40	1.5	38.1	184	205.8	214.5	329	137	90
DN50	1.5	50.8	209	229.8	231.5	352.5	137	90

注意：以上数据图相关尺寸不作为实物最终依据，东正保留对于数据更新权限不再另行通知。
Note: The relevant dimensions of the above data diagrams are not regarded as the final basis of the actual object. Dongzheng reserves the right to update the data without further notice.

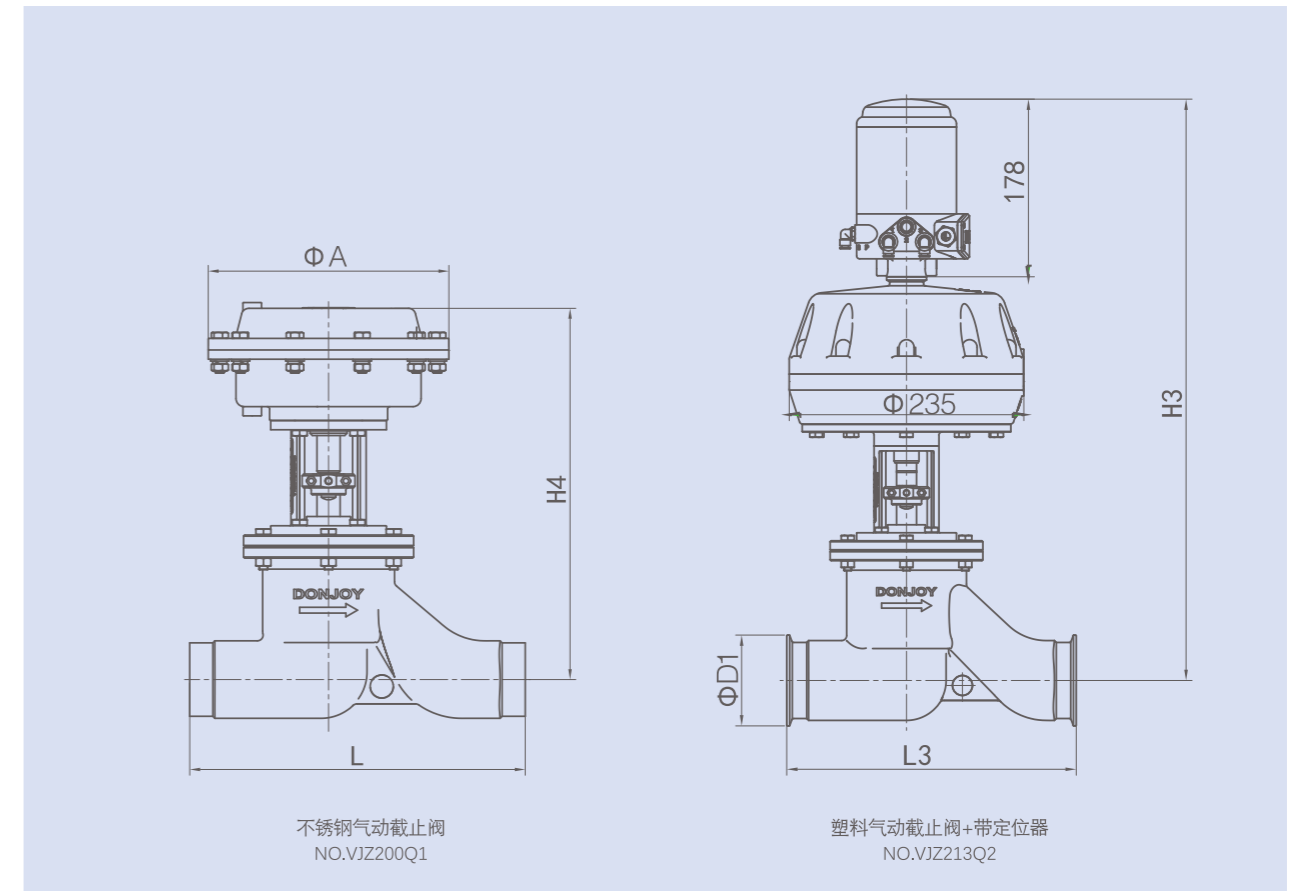
截止阀 Globe valve

不锈钢气动截止阀/塑料气动截止阀-数据图



规格	t / mm	D	D1	L	L3	H	H1	H4	H3	A
2.5"	2	63.5	77.5	290	315.4	303.8	394.5	321	567.5	208
3"	2	76.2	91	290	290	318.8	409.5	336	582.5	208
3.5"	2	89	106	310	310	328.8	419.5	346	592.5	300
4"	2	101.6	119	350	350	338.8	/	378	/	300
5"	2.1	127	144.5	400	400	358.8	/	398	/	300
6"	2.8	152.4	167	480	480	393.8	/	433	/	300

气动截止阀+带定位器-数据图



规格	t / mm	D	D1	L	L3	H	H1	H4	H3	A
DN65	2	70	91	290	290	318.8	409.5	336	582.5	208
DN80	2	85	106	310	310	328.8	419.5	346	592.5	208
DN100	2	104	119	350	350	338.8	/	378	/	300
DN125	2	129	155	400	400	358.8	/	398	/	300
DN150	2	154	183	480	480	393.8	/	433	/	300

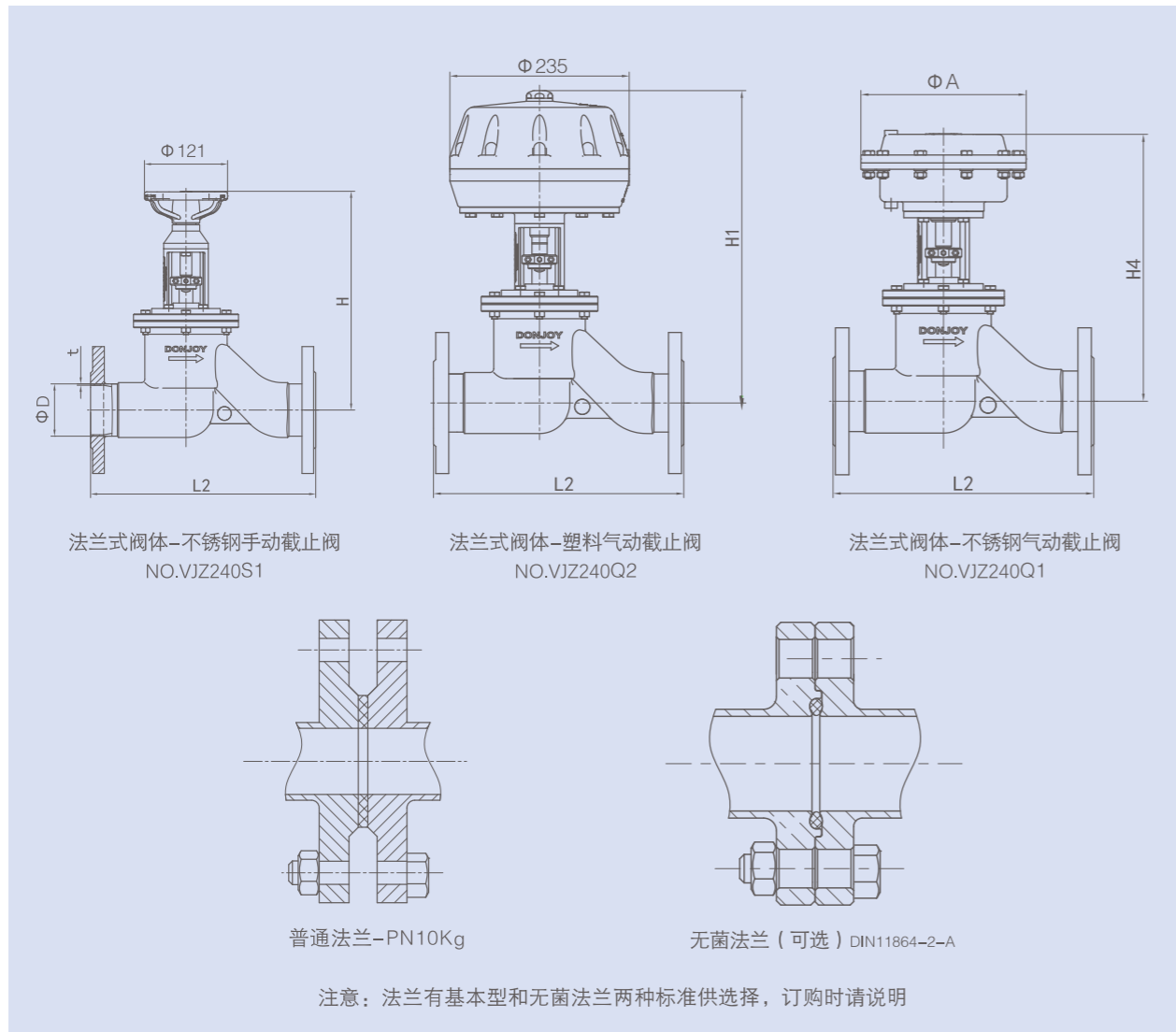


注意：以上数据图相关尺寸不作为实物最终依据，东正保留对于数据更新权限不再另行通知。
Note: The relevant dimensions of the above data diagrams are not regarded as the final basis of the actual object. Dongzheng reserves the right to update the data without further notice.

注意：以上数据图相关尺寸不作为实物最终依据，东正保留对于数据更新权限不再另行通知。
Note: The relevant dimensions of the above data diagrams are not regarded as the final basis of the actual object. Dongzheng reserves the right to update the data without further notice.

截止阀 Globe valve

法兰式阀体-截止阀-数据图



规格	t / mm	D	L2	H	H1	H4	A
2.5"	2	63.5	324	303.8	394.5	321	208
3"	2	76.2	324	318.8	409.5	336	208
3.5"	2	89	348	328.8	419.5	346	208
4"	2	101.6	388	338.8	/	378	300

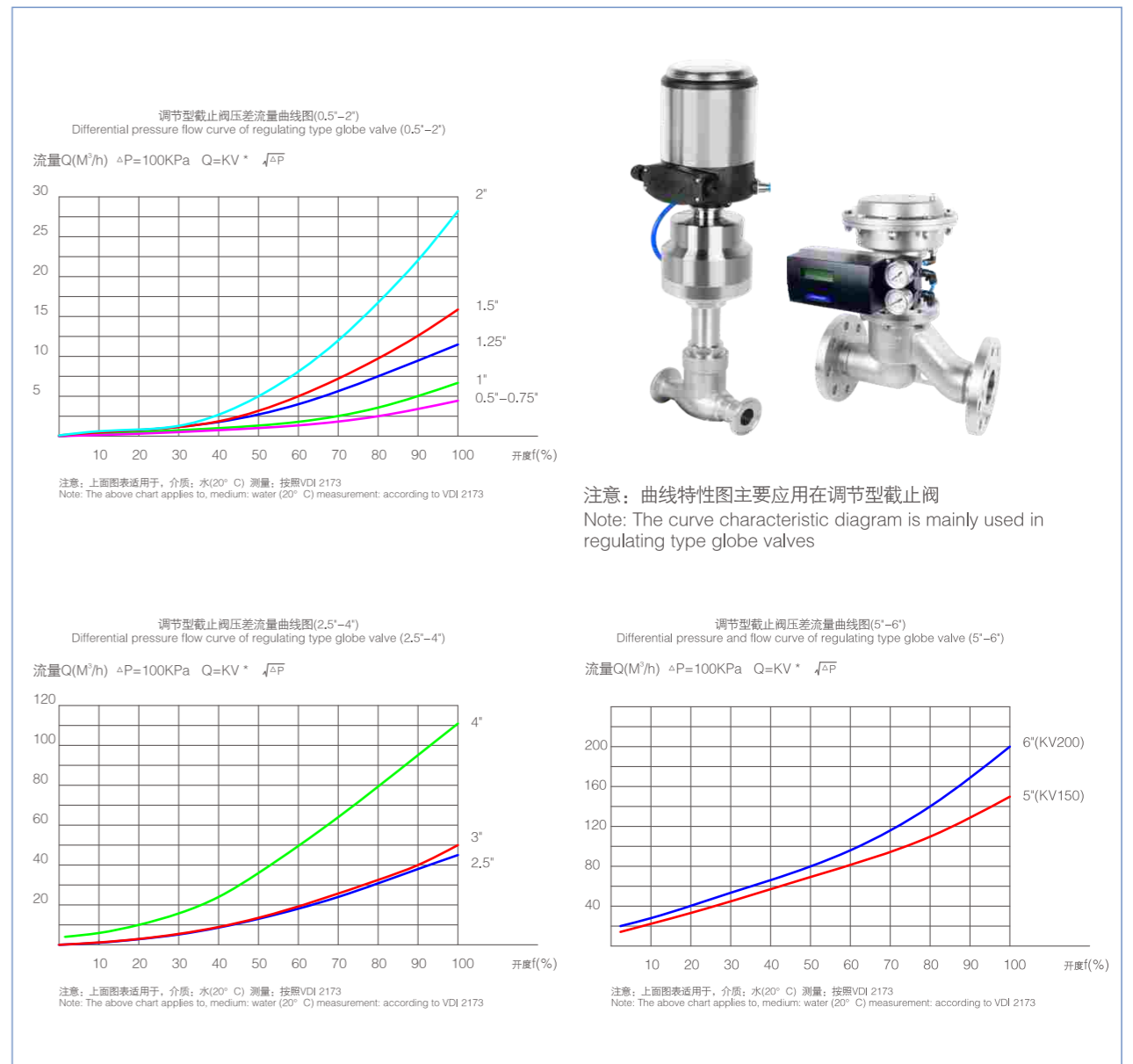
规格	t / mm	D	L2	H	H1	H4	A
DN65	2	70	324	318.8	409.5	336	208
DN80	2	85	348	328.8	419.5	346	208
DN100	2	104	388	338.8	/	378	300

JZF-F type

Size: 2.5"-6", DN65-DN150



调节型截止阀曲线图 Adjustable globe valve curve graph



三通截止阀 Three-way globe valve

三通截止阀是一款具有换向、比例混合、切断等功能阀门，特别
适合应用在两种介质比例混合工艺使用。它与其他的三通阀门相
比较有着良好曲线特性、更小体积、更高精度。



产品应用

三通截止阀是一款具有换向、比例混合、切断等功能阀门，特别
适合应用在两种介质比例混合工艺使用。它与其他的三通阀门相
比较有着良好曲线特性、更小体积、更高精度。

技术特点

- 规格：1/2"–4", DN10–DN100
- 材质：SS304/316L
- 压力：真空~10bar(1.0 MPa)
- 温度：-20°C 到 +150°C，取决于密封于材质
- 密封：PTFE/TFM/PEEK
- 连接标准：DIN SMS ISO IDF RJT BS4825 ASME BPE 3A
DIN11864 DIN11853
- 连接方式：螺纹、卡箍、焊接、法兰
- 驱动方式：手动、气动、电动
- 光洁度：Ra≤0.6 μm；MP=Ra≤0.3 μm；EP=Ra≤0.3 μm
- 认证：FDA 177.2600；Glass II USP Glass VI Chapter 88；
GB4806.11；EG VO/1935–2004；PED/97/23/EC；

Applications

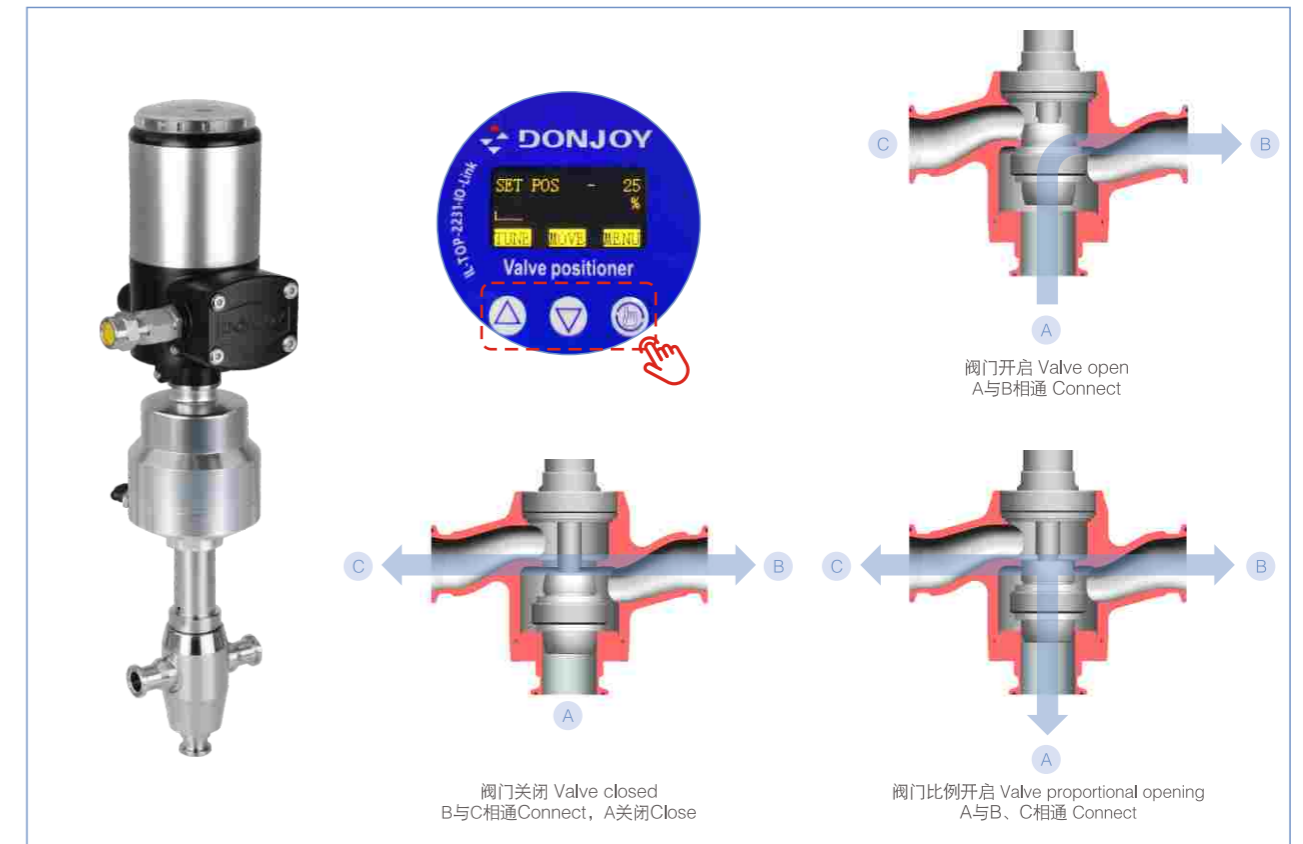
Three-way globe valve is a valve with reversing, proportional mixing, shut-off and other functions, especially suitable for application in the proportional mixing process of two media. Compared with other 3-way valves, it has good curve characteristics, smaller size and higher precision.

Technical Features

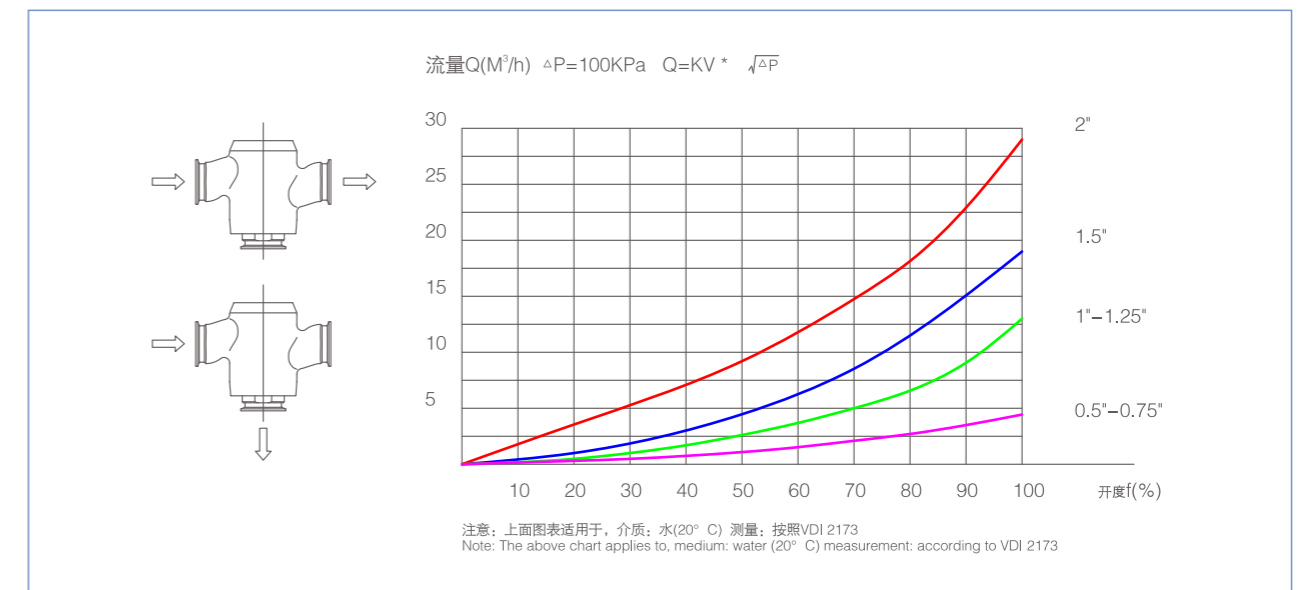
- Size: 1/2"–4", DN10–DN100
- Material: SS304/316L
- Pressure: vacuum to 10bar (1.0 MPa)
- Pressure: vacuum – 10 bar
- Sealing: PTFE/TFM/PEEK
- Connection standard: DIN SMS ISO IDF RJT BS4825 ASME BPE 3A
DIN11864 DIN11853
- Connection method: thread, clamp, welding, flange
- Drive mode: manual, pneumatic, electric
- Finish: Ra≤0.6 μm；MP=Ra≤0.3 μm；EP=Ra≤0.3 μm
- Certification: FDA 177.2600；Glass II USP Glass VI Chapter 88；
GB4806.11；EG VO/1935–2004；PED/97/23/EC；

三通截止调节阀 Three-way globe control valve

阀门工作示意图 Valve working diagram

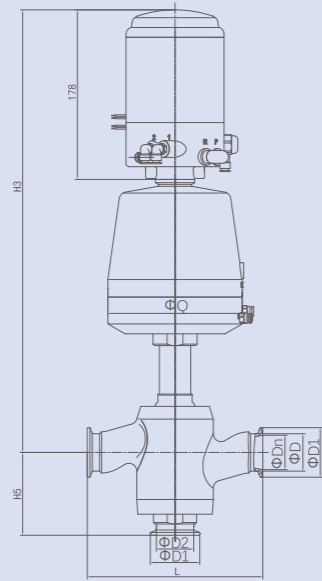


三通截止调节阀曲线图 3 Way adjustable globe valve curve graph



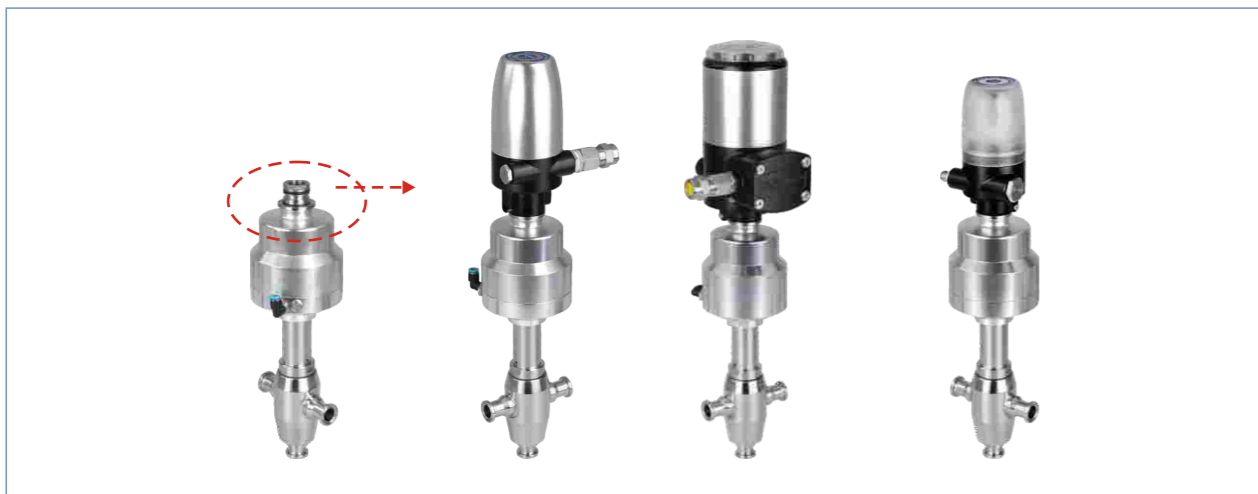
三通截止阀 Three-way globe valve

塑料气动三通截止阀+带定位器-数据图

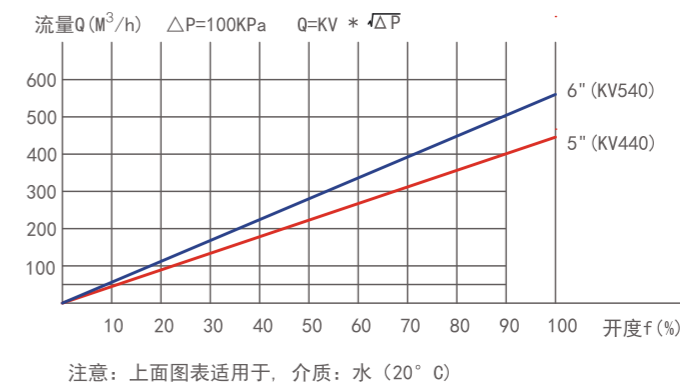
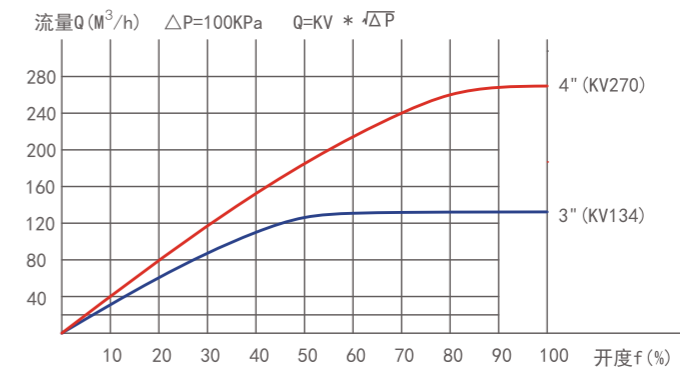
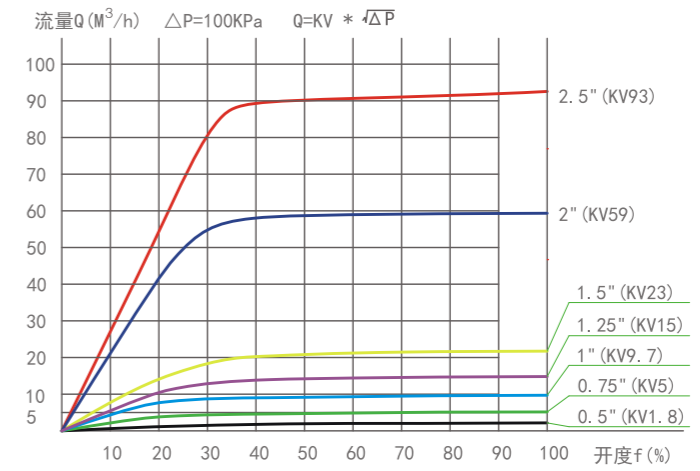


塑料气动三通截止阀+带定位器
NO.VJZ310Q2

规格	Dn	D	D1	D2	L	H3	H5	Q
0.75"(配0.75"气缸)	15.7	19	25	19	110	384	59.5	70
0.75"(配0.75"气缸)	15.7	19	25	19	110	385	59.5	100
1"	22.4	29	50.5	34	130	414.5	64.5	100
1.25"	27.8	29	50.5	34	130	414.5	64.5	100
1.5"	35.1	38.1	50.5	38.1	179	456.5	84.5	137
2"	47.8	52	64	52	193	473.5	95.5	100



常规截止阀流量曲线图



截止阀 Globe valve

截止阀货号编制规则



① 阀门类型代码

VJZF: 截止阀-常规
VJZF-T: 截止阀-调节型

② 两端进出口连接方式

0-焊接式; 1-卡箍式; 2-内螺纹式; 3-外螺纹式;
4-法兰式; 5-由任螺母式

③ 表示执行机构

手动系列: S1-塑料手动; S2-不锈钢手动-B型(实心型手轮)
执行器类别: Q1-不锈钢气动执行器; Q2-塑料气动执行器
D1-电动执行器; L1铝合金气动执行器

④ 表示切断气源时阀门状态

C-常闭; O-常开; D-气/气双作用(仅适用于气动)
N-不区分常开常闭(仅用于手动、电动)

⑤ 表示阀门规格

INCH系列(不分标准)	DIN系列	ISO系列	3A系列	SMS系列	RJT系列
OD 1/2"	DN15	ISO 1/2"	3A 1/2"	SMS25	RJT1/2"
OD 3/4"	DN20	ISO 3/4"	3A 3/4"	SMS32	RJT3/4"
OD 1"	DN25	ISO 1"	3A 1"	SMS38	RJT1"
OD 1 1/4"	DN32	ISO 1 1/4"		SMS51	RJT1 1/4"
OD 1 1/2"	DN40	ISO 1 1/2"	3A 1 1/2"	SMS63	RJT1 1/2"
OD 2"	DN50	ISO 2"	3A 2"	SMS76	RJT2"
OD 2 1/2"	DN65	ISO 2 1/2"	3A 2 1/2"	SMS89	RJT2 1/2"
OD 3"	DN80	ISO 3"	3A 3"	SMS102	RJT3"
OD 3 1/2"	DN100	ISO 3 1/2"			RJT3 1/2"
OD 4"	DN125	ISO 4"	3A 4"		RJT4"

⑥ 表示阀体材质(与介质接触部分)

6-AISI 316L;

⑦ 表示密封材质(与介质接触部分)

P-PTFE

⑧ 表示附件信息

0-不带附件(此位可省略); C1-带1只传感器(适用于Q1、Q2、L1执行器); C2-带2只传感器(适用于Q1、Q2、L1执行器)
C-TOP 1721-带控制器CTOP(适用于Q1、Q2、L1执行器); IL-TOP 1831-带定位器IL-TOP(适用于Q1、Q2、L1执行器)
F-TOP 1553-带反馈器(适用于Q1、Q2、L1执行器)