

DONJOY looking forward to your visit! Your telecommunications!



**东正科技有限公司**  
DONJOY TECHNOLOGY CO.,LTD.

地址: 温州空港新区港富路25号  
总机: 0577-86990888  
传真: 0577-86998000

Add: No.25 Gang fu Road, konggang  
new District, Longwan Wenzhou, China  
Tel: +86-577-86990888  
Fax: +86-577-86998000  
E-mail: donjoy@cndonjoy.com

[www.cndonjoy.com](http://www.cndonjoy.com)

法律声明:  
目录样册版权归东正所有, 如有抄袭, 必将追究其法律责任和经济赔偿。  
东正已获得国家版权局书刊号。东正诸多产品技术, 都具有专利保护, 如有抄袭,  
必将追究法律责任和经济赔偿。

Legal statement:  
Copyright of the catalogue belongs to Donjoy. If there is plagiarism,  
it will be investigated for legal responsibility and economic compensation.  
Donjoy has been granted publications number by China's National Copyright.  
Donjoy products and technology with patent protection,  
If there is plagiarism, it will be investigated for legal responsibility  
and economic compensation.

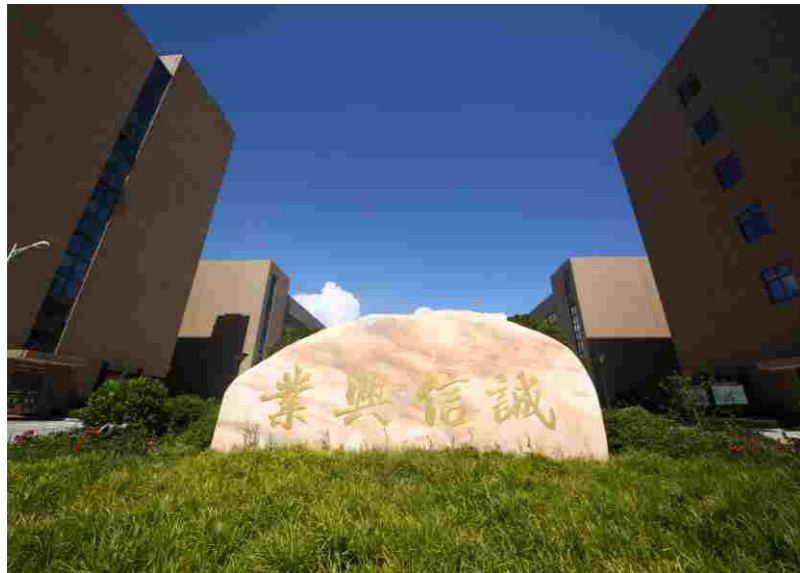
# Filter Series

14 / 过滤器 智能制造



国家高新技术企业 专精特新企业

# Advantages



30 YEARS

30年的阀门研发与制造  
More than 30 years valve and pump R&d and Manufacturing

23 YEARS

23年的高洁净泵研发与制造  
More than 23 years high purity pump R&d and Manufacturing

18 YEARS

18年的阀门控制器研发与制造  
More than 18 years valve controller R&d and Manufacturing

15 YEARS

15年的清洗技术研发与制造  
More than 15 years Cleaning technology R&d and Manufacturing

300

300多人的专业团队  
A profession team of over 300 people

200

200多项知识产权  
More than 200 intellectual property rights

30

30多项国际权威认证  
More than 30 international authoritative certifications

20

20多项国家与省级荣誉  
More than 20 national and provincial honors certificates

超过10年研发经验  
工程师队伍  
We have more than 10 years experienced engineer team in R & D.

日本Mazak  
CNC复合型加工中心  
CNC切削中心  
CNC车床  
Japan Mazak  
CNC compound machining center  
CNC cutting center  
CNC lathe

发那科《Fanuc》  
全自动机器人生产线  
《Fanuc》 Automatic robot  
production line

高新技术企业、  
省著名商标、  
主任质量奖、4项发明、  
200余项专利  
New high-tech enterprise.  
Provincial famous trademark.  
Director's Quality Award.4 inventions  
More than 200 patents

欧盟CE  
美国3-A, FDA  
中国特种制造许可证 TS  
防爆认证ATEX CNEX  
European Union CE certificate  
USA 3-A, FDA  
China Special Manufacturing  
License TS  
ATEX CNEX

我们能为你提供  
定制化技术服务和制造,  
OEM ODM  
We can provide  
you OEM & ODM service

领先的检测手段,  
30多台专业检测设备和  
50多种检测方法, 确保  
每个产品性能和精度  
Advanced detection method.  
More than 30 pcs professional  
testing equipment. More than  
50 inspection ways, insure product  
performance and accuracy

30 YEARS

30年洁净领域的专注  
30 years of focus in the field of cleanliness

30 YEARS

30年工程应用经验与市场考验  
30 years of engineering application experience and market test

三十而立正蕴含着新的力量，  
未来我们将一如既往的致力于技术革新！  
We Donjoy have established for 30 years, still full of  
new energy, in the future we will stick to concentrate on  
technology innovation

# Introduction

东正创立于1993年，占地面积29000m<sup>2</sup>，注册资本1.0558亿元，员工300余人，技术团队30余人，200余项知识产权，国际权威认证30余项，国家与省级荣誉证书20余项，且拥有国际领先的加工技术和制造设备，如Mazak CNC四轴、五轴加工中心、复合型切削中心、FANUC机器人生产线以及各种国际领先的检测设备。

东正制造的产品远销全球并获得国内外用户高度好评，我们产品和技术涵盖高洁净泵、阀门控制技术、PID自控阀门、高洁净阀门、容器管道安全控制技术、容器清洗技术、容器管道照明技术、过滤技术以及高洁净管道和配件等。广泛应用于生物制药、食品饮料、酿酒、精细化工、日化洗涤、纺织印染、电池和新能源等工业领域。

Donjoy is founded in 1993, covers an area of 29,000 square meters, registered capital of 105.58 million yuan, we have more than 300 employees, we have more than 30 persons technical team, we have more than 200 intellectual property rights, we have more than 30 authoritative international certification, we have more than 20 national and provincial certifications, and has an international leader of first processing technology and manufacturing equipment, such as Mazak CNC four axis, five axis machining center, compound cutting center, FANUC robot production line and various international collar first detection equipment, etc.

The products manufactured by Donjoy are sold all over the world and are highly praised by domestic and overseas Products and technology cover high purity pump, valve control technology, PID automatic control valve, high purity valve, container pipeline safety control technology, container cleaning technology, container pipe road lighting technology, filtration technology and high purity pipes and accessories. Widely used in the biopharmaceuticals, food and beverage, wine, fine chemicals, daily chemical washing, textile printing and dyeing, battery and new energy and other industrial fields.

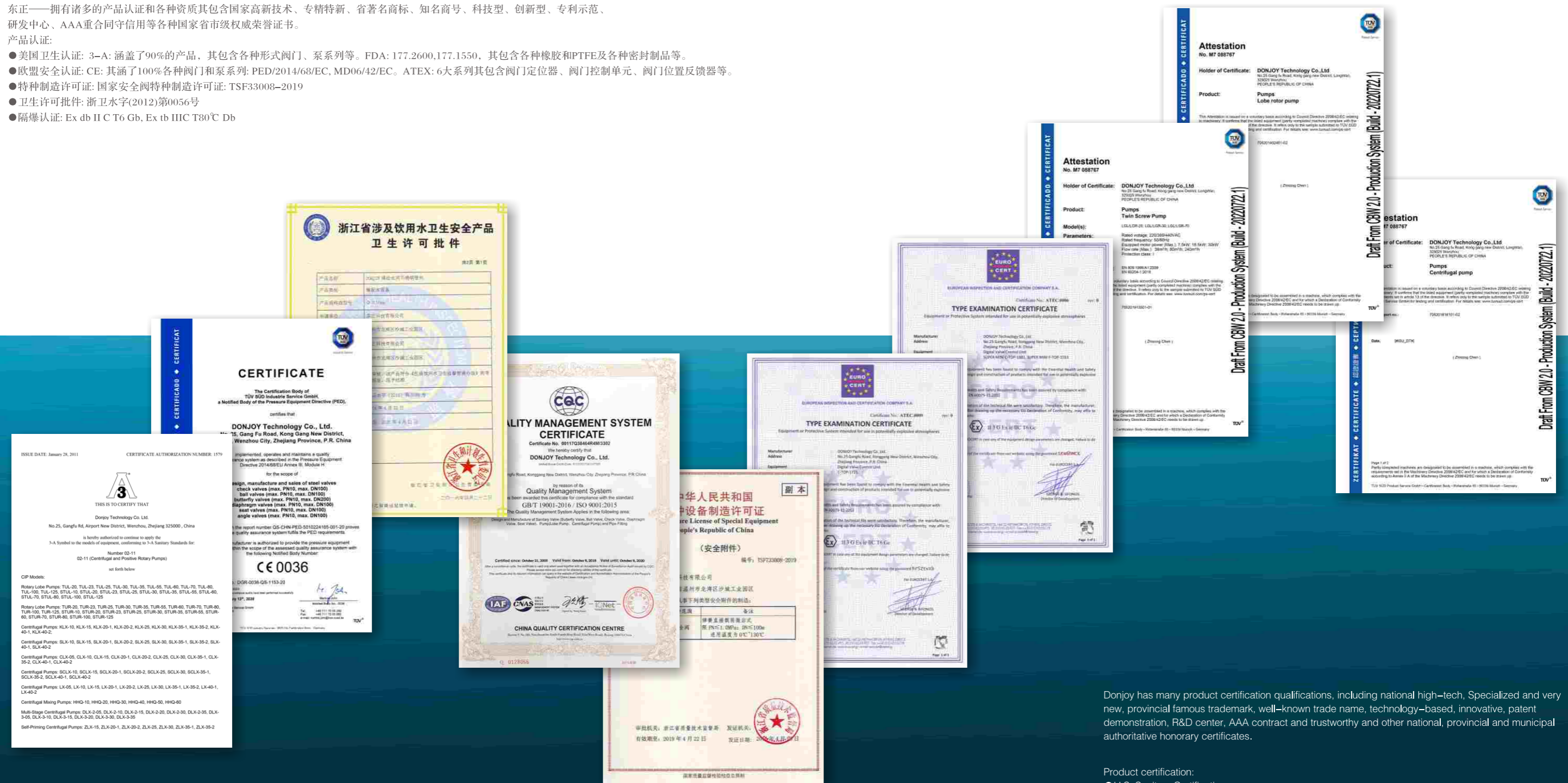


# Certification

东正——拥有诸多的产品认证和各种资质其包含国家高新技术、专精特新、省著名商标、知名商号、科技型、创新型、专利示范、研发中心、AAA重合同守信用等各种国家省市级权威荣誉证书。

产品认证:

- 美国卫生认证: 3-A: 涵盖了90%的产品, 其包含各种形式阀门、泵系列等。FDA: 177.2600, 177.1550, 其包含各种橡胶和PTFE及各种密封制品等。
- 欧盟安全认证: CE: 其涵盖了100%各种阀门和泵系列: PED/2014/68/EC, MD06/42/EC。ATEX: 6大系列其包含阀门定位器、阀门控制单元、阀门位置反馈器等。
- 特种制造许可证: 国家安全阀特种制造许可证: TSF33008-2019
- 卫生许可批件: 浙卫水字(2012)第0056号
- 防爆认证: Ex db IIC T6 Gb, Ex tb IIIC T80°C Db



Donjoy has many product certification qualifications, including national high-tech, Specialized and very new, provincial famous trademark, well-known trade name, technology-based, innovative, patent demonstration, R&D center, AAA contract and trustworthy and other national, provincial and municipal authoritative honorary certificates.

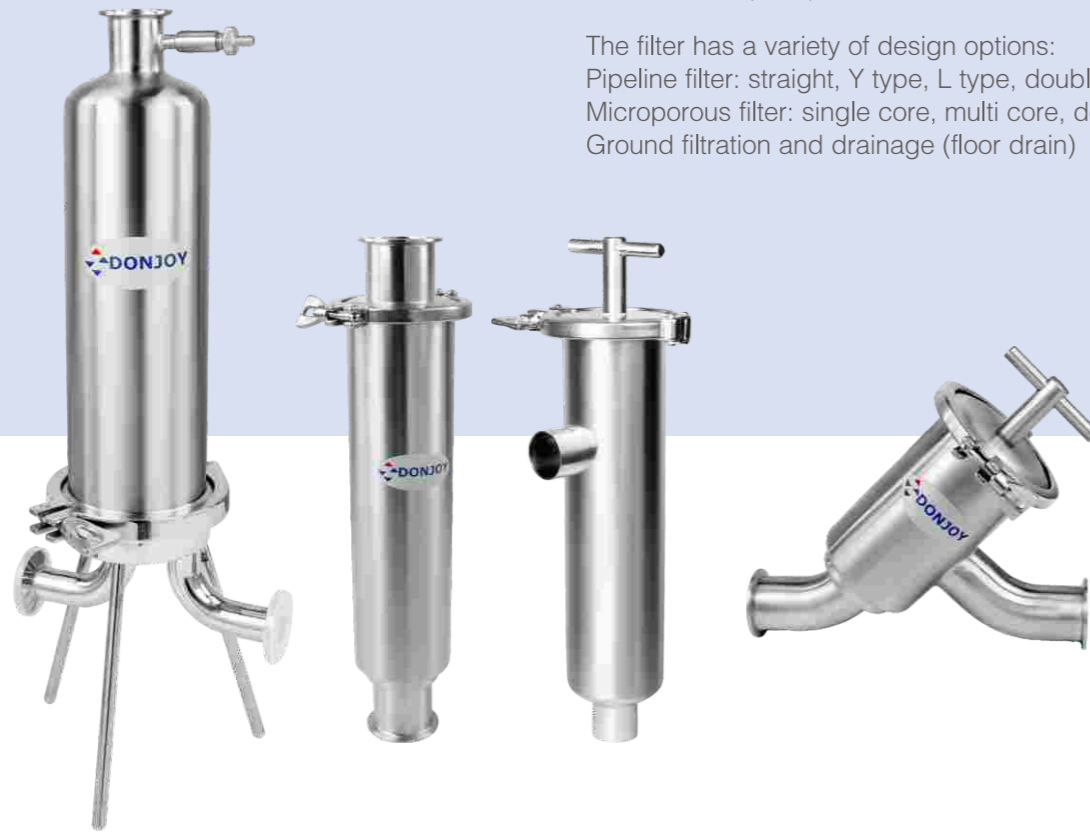
- Product certification:
- U.S. Sanitary Certification
    - 3-A: Covers 90% of products, including all kinds of valves, pump, etc.
    - FDA: 177.2600, 177.1550, containing various rubber, PTFE and other sealing products.
  - EU safety certification
    - CE: covers all kinds of valves and pumps: PED/2014/68/EC, MD06/42/EC.
    - ATEX: 6 major series, including valve positioner, valve control unit, valve position feedback device, etc.
  - Special manufacturing license: National safety valve special manufacturing license: TSF33008-2019
  - Sanitation license approval document: Zhewei Shuizi (2012) No. 0056
  - Flameproof certification: Ex db IIC T6 Gb, Ex tb IIIC T80°C Db

# 过滤器 Filter

## GL- type

过滤器有多种设计方案：  
 管道过滤器：直通、Y型、L型，双联过滤器  
 微孔过滤器：单芯、多芯、双联过滤器  
 地面过滤排泄(地漏)

The filter has a variety of design options:  
 Pipeline filter: straight, Y type, L type, double filter  
 Microporous filter: single core, multi core, double filter  
 Ground filtration and drainage (floor drain)



## 管道过滤器滤芯 Pipeline filter element



- ① **网孔滤芯** Mesh filter element  
 材质 Material: 316L/304  
 过滤精度 Filtration accuracy(mm): 0.5; 0.8; 1; 1.5; 2; 3等
- ② **扁形开口滤芯** Wedge filter element  
 材质 Material: 316L  
 过滤精度 Filtration accuracy: 0.1.....0.5mm
- ③ **筛网滤芯** Screen element  
 材质 Material: 316L/304  
 过滤精度 Filtration accuracy(目): 300、200、100、50等

## 管道过滤器-L型 Pipe filter-L type



材质: 304/316L  
 规格: 1"-6", DN25-DN150  
 压力: 真空~10bar  
 温度: -30°C~150°C

Material: 304/316L  
 Size: 1"-6", DN25-DN150  
 Pressure: Vacuum to 10bar  
 Temperature: -30°C to 150°C



## 地面过滤排泄(地漏) Ground filtration and drainage (floor drain)



材质: 304/316L  
 规格: 1"-6", DN25-DN150  
 温度: -30°C~150°C

Material: 304/316L  
 Size: 1"-6", DN25-DN150  
 Temperature: -30°C to 150°C



## 管道过滤器-I型 Pipe filter-I type



材质: 304/316L  
 规格: 1"-6", DN25-DN150  
 压力: 真空~10bar  
 温度: -30°C~150°C

Material: 304/316L  
 Size: 1"-6", DN25-DN150  
 Pressure: Vacuum to 10bar  
 Temperature: -30°C to 150°C



# 过滤器 Filter

## 管道过滤器-Y型 Pipe filter-Y type

GL-Y Type



材质: 304/316L  
规格: 1"-4", DN25-DN100  
压力: 真空~10bar  
温度: -30°C~150°C

Material: 304/316L  
Specification: 1"-4", DN25-DN100  
Pressure: Vacuum to 10bar  
Temperature: -30°C to 150°C



## 容器呼吸过滤器(呼吸器) Container breathing filter (rebreather)

GL-HX Type



材质: 304/316L  
滤芯: 金属、钛棒、PTFE、PE  
滤芯规格: 5", 10"  
过滤量: 气体3-6m³/min

Material: 304/316L  
Filter element: metal, titanium rod, PTFE, PE  
Filter specifications: 5", 10"  
Filter volume: gas 3-6m³/min



## 管道双联过滤器 Pipeline duplex filter

GL-SL Type



规格: 1"-4", DN25-DN100  
材质: 304/316L  
压力: 真空~10bar  
温度: -30°C~150°C

Specification: 1"-4", DN25-DN100  
Material: 304/316L  
Pressure: Vacuum to 10bar  
Temperature: -30°C to 150°C



## 微孔过滤器 Micro filter

GL-WK Type



- 滤芯规格: 5", 10", 15", 20", 30", 40"
- 滤芯数量: 1芯、2芯、3芯、5芯、7芯、9芯、12芯、24芯等
- 滤芯材质: PP, PES, PTFE, PVDF, N6, N66, CN-CA, ACF
- 滤芯接口: 220, 222, 226
- 滤芯精度(μm): 0.05, 0.1, 0.2, 0.45, 0.65等各种精度
- 壳体材质: 304/1.4301, 316L/1.4404, ASME BPE 316L 1.4435 NB2 Fe≤0.5%
- 压力: 真空~10bar(1.0 MPa)
- 温度: -20°C 到+150°C, 取决密封于材质
- 密封: EPDM FKM HNBR PTFE
- 连接标准: DIN SMS ISO IDF RJT BS4825 ASME BPE 3A DIN11864 DIN11853
- 连接方式: 螺纹、卡箍、焊接、法兰
- 光洁度: Ra≤0.6 μm, MP=Ra≤0.3 μm, EP=Ra≤0.3 μm
- 认证: FDA 177.2600, Glass II USP Glass VI Chapter 88, GB4806.11, EG VO/1935-2004, PED/97/23/EC.

- Filter element specifications: 5", 10", 15", 20", 30", 40"
- Number of filter elements: 1core, 2cores, 3cores, 5cores, 7cores, 9cores, 12cores, 24cores, etc.
- Filter element material: PP; PES; PTFE; PVDF; N6; N66; CN-CA; ACF.
- Filter element interface: 220, 222, 226.
- Filter element precision (μm): 0.05, 0.1, 0.2, 0.45, 0.65, etc.
- Shell material: 304/1.4301; 316L/1.4404, ASME BPE 316L 1.4435 NB2 Fe≤0.5%
- Pressure: Vacuum to 10bar (1.0 MPa)
- Temperature: -20°C to +150°C, Depending on the seal material
- Sealing: EPDM FKM HNBR PTFE
- Connection standard: DIN SMS ISO IDF RJT BS4825 ASME BPE 3A DIN11864 DIN11853
- Connection method: thread, clamp, welding, flange
- Finish: Ra≤0.6 μm, MP=Ra≤0.3 μm, EP=Ra≤0.3 μm
- Certification: FDA 177.2600, Glass II USP Glass VI Chapter 88, GB4806.11, EG VO/1935-2004, PED/97/23/EC.

# 过滤器 Filter

## 磁性过滤器 Magnetic filter

GL-CX Type



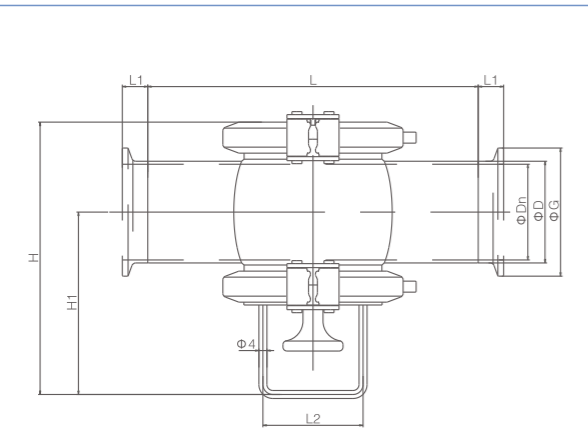
高效、洁净、无死角、无滞留、可在线清理铁削。  
Efficient, clean, no dead angles, no retention, and can clean iron chips online.

该过滤器主要用来清理物料介质中含有铁削，过滤时不影响流通能力，带有视镜观察内部废铁屑堆积，清理铁削无需拆卸管路即可实现。

规格：1"-4"，DN25-DN100

The filter is mainly used to clean the iron chips in the material medium, and the flow capacity is not affected during filtration. It is equipped with a sight glass to observe the internal scrap iron accumulation, and the iron chips can be cleaned without removing the pipeline.

Specification: 1"-4", DN25-DN100



磁性过滤器外形尺寸图 Magnetic filter dimensions

| SIZE  | D     | Dn   | G    | L   | L1   | L2 | H     | H1   |
|-------|-------|------|------|-----|------|----|-------|------|
| 1"    | 25.4  | 22.4 | 50.5 | 150 | 12.7 | 50 | 110.5 | 78.5 |
| 1.25" | 31.8  | 28.8 | 50.5 | 150 | 12.7 | 50 | 117   | 81.5 |
| 1.5"  | 38.1  | 35.1 | 50.5 | 165 | 12.7 | 50 | 123   | 84   |
| 2"    | 50.8  | 47.8 | 64   | 165 | 12.7 | 50 | 136   | 91   |
| 2.5"  | 63.5  | 59.5 | 77.5 | 205 | 12.7 | 75 | 148   | 96   |
| 3"    | 76.2  | 72.2 | 91   | 230 | 12.7 | 75 | 161.5 | 100  |
| 4"    | 101.6 | 97.6 | 119  | 300 | 15.8 | 90 | 186.5 | 116  |

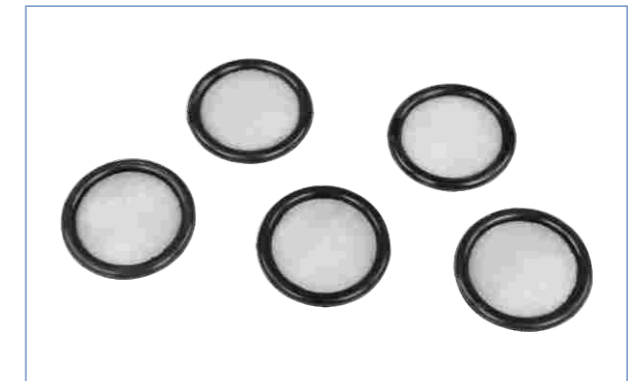
## 由任过滤器 Union filter

GL-YR Type



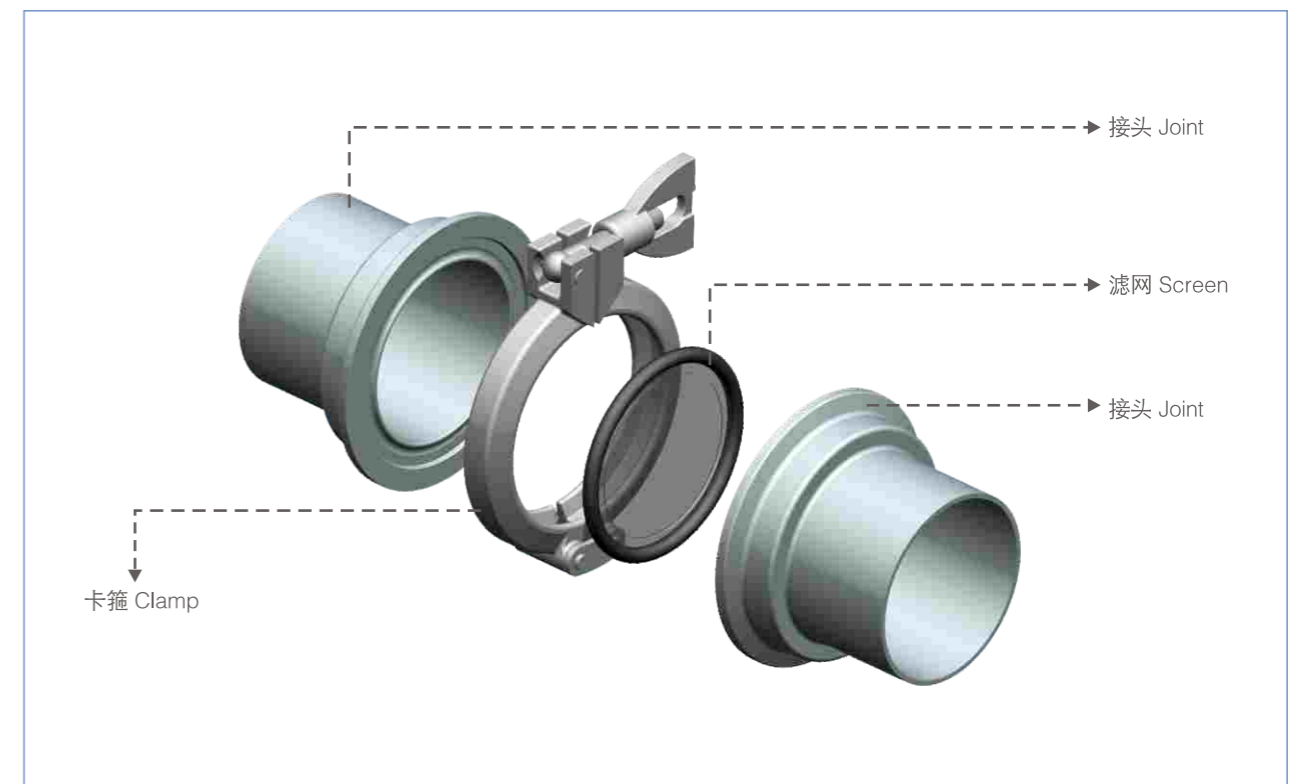
由任过滤器是一款基于卡箍无菌由任基础上增加过滤网而形成的过滤器。它具有成本低、使用简单、变化方便、可从标准由任转换成过滤器。

Union filter is a filter based on clamp aseptic union, adding a filter screen, low cost, easy to use, easy to change, can be converted from standard union to filter



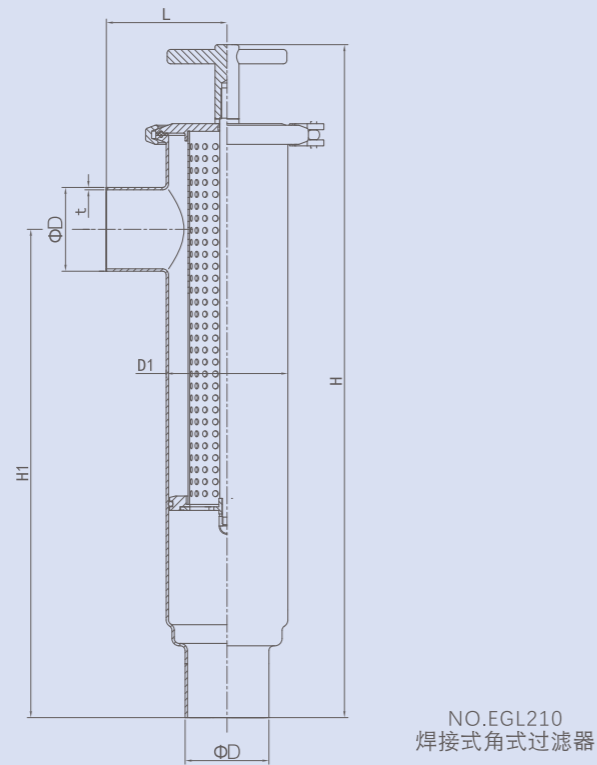
滤网精度：1mm到1 μm  
材质：SS316+EPDM

Screen accuracy: 1mm to 1 μm  
Material: SS316+EPDM



# 过滤器 Filter

L型（角式）过滤器外形尺寸图

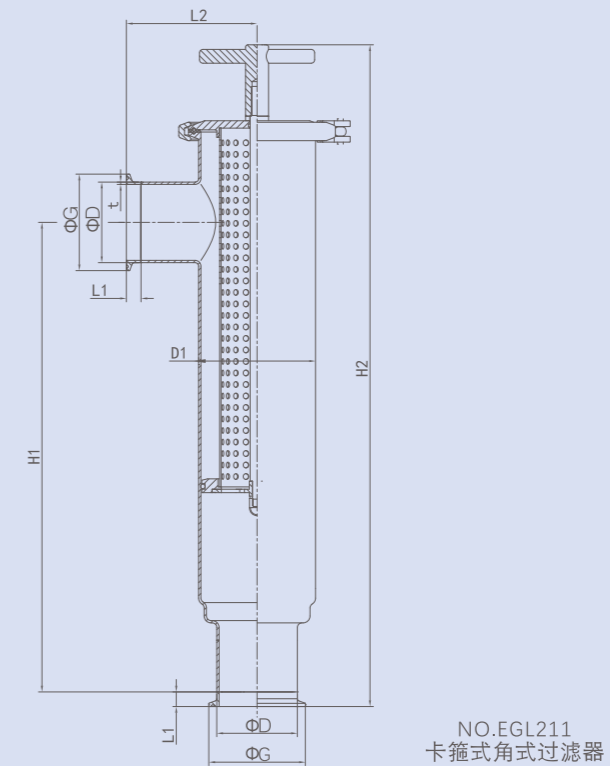


DIN角式过滤器

| SIZE  | D   | t   | G     | D1    | L     | L1   | L2    | H   | H1  | H2    |
|-------|-----|-----|-------|-------|-------|------|-------|-----|-----|-------|
| DN25  | 28  | 1.5 | 50.5  | 76.2  | 77.5  | 21.5 | 99    | 431 | 261 | 452.5 |
| DN32  | 34  | 1.5 | 50.5  | 76.2  | 77.5  | 21.5 | 99    | 431 | 261 | 452.5 |
| DN40  | 40  | 1.5 | 50.5  | 76.2  | 77.5  | 21.5 | 99    | 431 | 261 | 452.5 |
| DN50  | 52  | 1.5 | 64    | 101.6 | 101   | 21.5 | 122.5 | 560 | 408 | 581.5 |
| DN65  | 70  | 2.0 | 91    | 101.6 | 101   | 28   | 129   | 560 | 408 | 588   |
| DN80  | 85  | 2.0 | 106   | 114.3 | 107.2 | 28   | 135.2 | 579 | 382 | 607   |
| DN100 | 104 | 2.0 | 119   | 154   | 105.5 | 28   | 133.2 | 714 | 482 | 742   |
| DN125 | 129 | 2.0 | 144.5 | 204   | 142   | 28   | 170   | 885 | 625 | 913   |
| DN150 | 154 | 2.0 | 167   | 204   | 142   | 28   | 170   | 885 | 625 | 913   |

注意：以上数据图相关尺寸不作为实物最终依据，东正保留对于数据更新权限不再另行通知。  
Note: The relevant dimensions of the above data diagrams are not regarded as the final basis of the actual object. Dongzheng reserves the right to update the data without further notice.

L型（角式）过滤器外形尺寸图



INCH角式过滤器

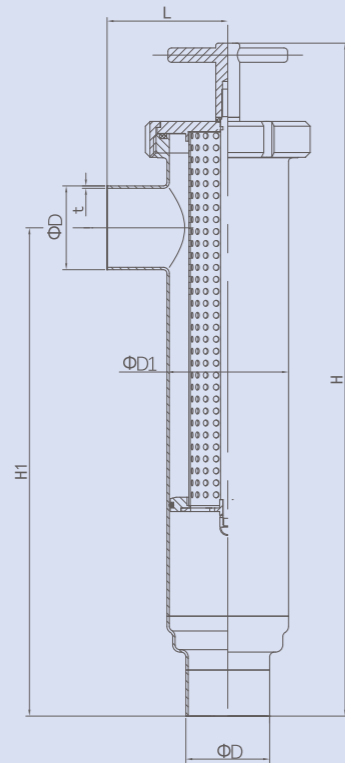
| SIZE   | D     | t    | G     | D1    | L     | L1   | L2    | H   | H1  | H2    |
|--------|-------|------|-------|-------|-------|------|-------|-----|-----|-------|
| 1"     | 25.4  | 1.65 | 50.5  | 76.2  | 77.5  | 12.7 | 90.2  | 431 | 261 | 443.7 |
| 1 1/4" | 31.8  | 1.5  | 50.5  | 76.2  | 77.5  | 12.7 | 90.2  | 431 | 261 | 443.7 |
| 1 1/2" | 38.1  | 1.65 | 50.5  | 76.2  | 77.5  | 12.7 | 90.2  | 431 | 261 | 443.7 |
| 2"     | 50.8  | 1.65 | 64    | 101.6 | 101   | 12.7 | 113.7 | 560 | 408 | 572.7 |
| 2 1/2" | 63.5  | 2.0  | 77.5  | 101.6 | 101   | 12.7 | 113.7 | 560 | 408 | 572.7 |
| 3"     | 76.2  | 2.0  | 91    | 114.3 | 107.2 | 12.7 | 119.9 | 579 | 382 | 591.7 |
| 3 1/2" | 89    | 2.0  | 106   | 114.3 | 107.2 | 12.7 | 119.9 | 579 | 382 | 591.7 |
| 4"     | 101.6 | 2.0  | 119   | 154   | 105.5 | 15.8 | 121.3 | 714 | 482 | 729.8 |
| 5"     | 127   | 2.0  | 144.5 | 204   | 142   | 21.5 | 163.5 | 885 | 625 | 906.5 |
| 6"     | 152.4 | 2.0  | 167   | 204   | 142   | 21.5 | 163.5 | 885 | 625 | 906.5 |

注意：以上数据图相关尺寸不作为实物最终依据，东正保留对于数据更新权限不再另行通知。  
Note: The relevant dimensions of the above data diagrams are not regarded as the final basis of the actual object. Dongzheng reserves the right to update the data without further notice.



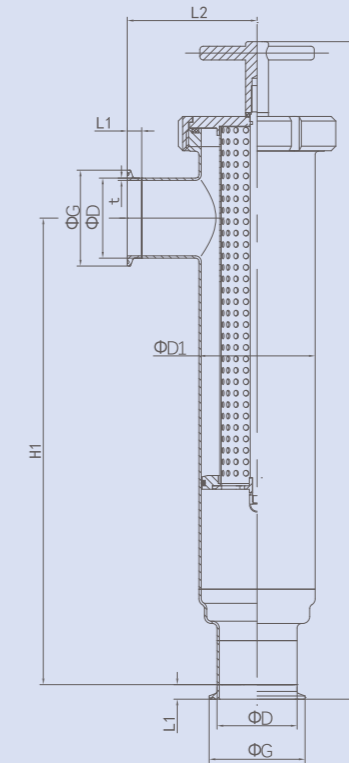
# 过滤器 Filter

L型（角式）过滤器外形尺寸图



NO.EGL220  
焊接式角式过滤器-中头螺纹式

L型（角式）过滤器外形尺寸图



NO.EGL221  
卡箍式角式过滤器-中头螺纹式

DIN角式过滤器-中头螺纹

| SIZE  | D   | t   | G    | D1    | L     | L1   | L2    | H     | H1  | H2    |
|-------|-----|-----|------|-------|-------|------|-------|-------|-----|-------|
| DN25  | 28  | 1.5 | 50.5 | 76.2  | 77.5  | 21.5 | 99    | 428   | 261 | 449.5 |
| DN32  | 34  | 1.5 | 50.5 | 76.2  | 77.5  | 21.5 | 99    | 428   | 261 | 449.5 |
| DN40  | 40  | 1.5 | 50.5 | 76.2  | 77.5  | 21.5 | 99    | 428   | 261 | 449.5 |
| DN50  | 52  | 1.5 | 64   | 101.6 | 101   | 21.5 | 122.5 | 566   | 408 | 587.5 |
| DN65  | 70  | 2.0 | 91   | 101.6 | 101   | 28   | 129   | 566   | 408 | 594   |
| DN80  | 85  | 2.0 | 106  | 114.3 | 107.2 | 28   | 135.2 | 600.5 | 382 | 628.5 |
| DN100 | 104 | 2.0 | 119  | 154   | 105.5 | 28   | 133.5 | 713.5 | 482 | 741.5 |

注意：以上数据图相关尺寸不作为实物最终依据，东正保留对于数据更新权限不再另行通知。  
Note: The relevant dimensions of the above data diagrams are not regarded as the final basis of the actual object. Dongzheng reserves the right to update the data without further notice.

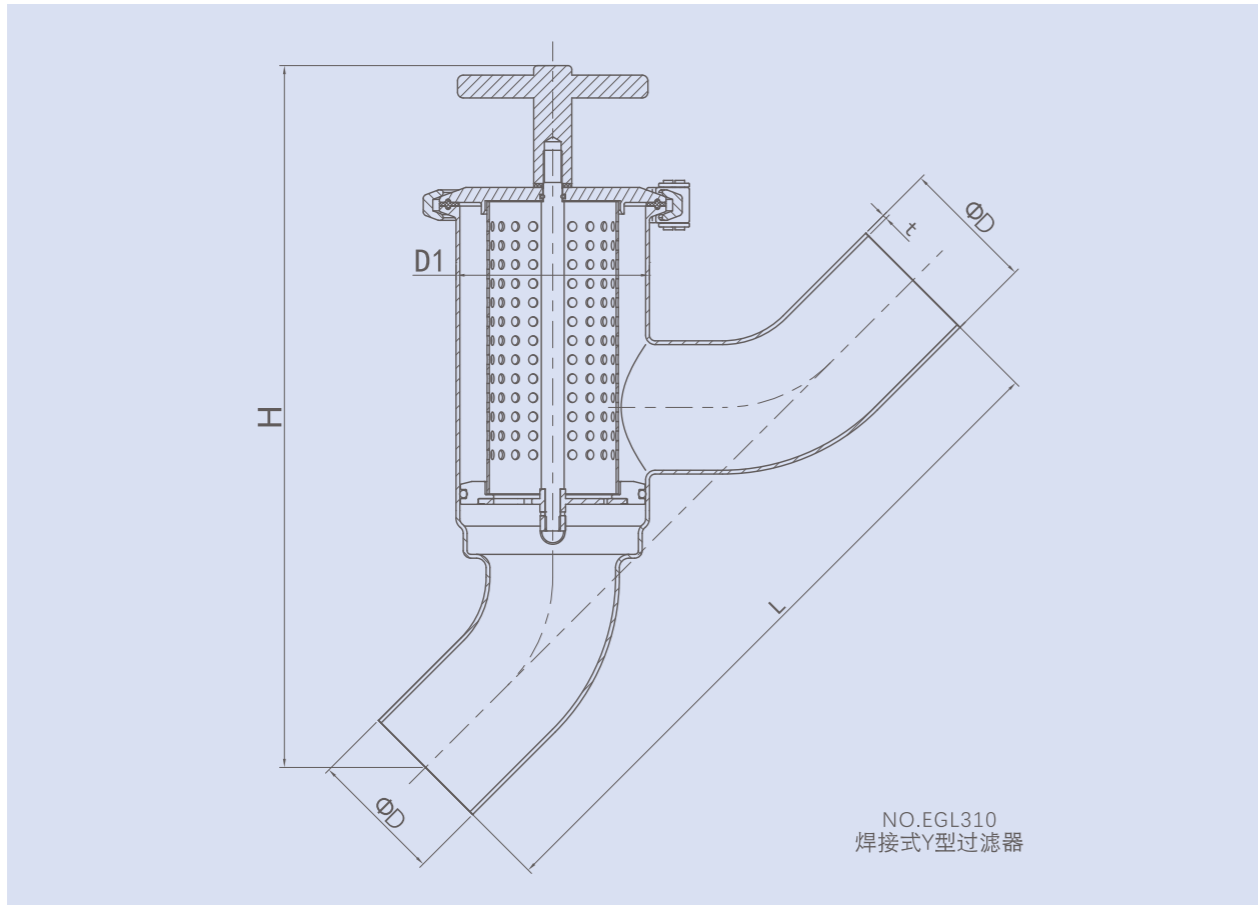
INCH角式过滤器-中头螺纹

| SIZE   | D     | t    | G    | D1    | L     | L1   | L2    | H     | H1  | H2    |
|--------|-------|------|------|-------|-------|------|-------|-------|-----|-------|
| 1"     | 25.4  | 1.65 | 50.5 | 76.2  | 77.5  | 12.7 | 90.2  | 428   | 261 | 440.7 |
| 1 1/4" | 31.8  | 1.5  | 50.5 | 76.2  | 77.5  | 12.7 | 90.2  | 428   | 261 | 440.7 |
| 1 1/2" | 38.1  | 1.65 | 50.5 | 76.2  | 77.5  | 12.7 | 90.2  | 428   | 261 | 440.7 |
| 2"     | 50.8  | 1.65 | 64   | 101.6 | 101   | 12.7 | 113.7 | 566   | 408 | 578.7 |
| 2 1/2" | 63.5  | 2.0  | 77.5 | 101.6 | 101   | 12.7 | 113.7 | 566   | 408 | 578.7 |
| 3"     | 76.2  | 2.0  | 91   | 114.3 | 107.2 | 12.7 | 119.9 | 600.5 | 382 | 613.2 |
| 3 1/2" | 89    | 2.0  | 106  | 114.3 | 107.2 | 12.7 | 119.9 | 600.5 | 382 | 613.2 |
| 4"     | 101.6 | 2.0  | 119  | 154   | 105.5 | 15.8 | 121.3 | 718.5 | 482 | 734.3 |

注意：以上数据图相关尺寸不作为实物最终依据，东正保留对于数据更新权限不再另行通知。  
Note: The relevant dimensions of the above data diagrams are not regarded as the final basis of the actual object. Dongzheng reserves the right to update the data without further notice.

# 过滤器 Filter

Y型过滤器外形尺寸图

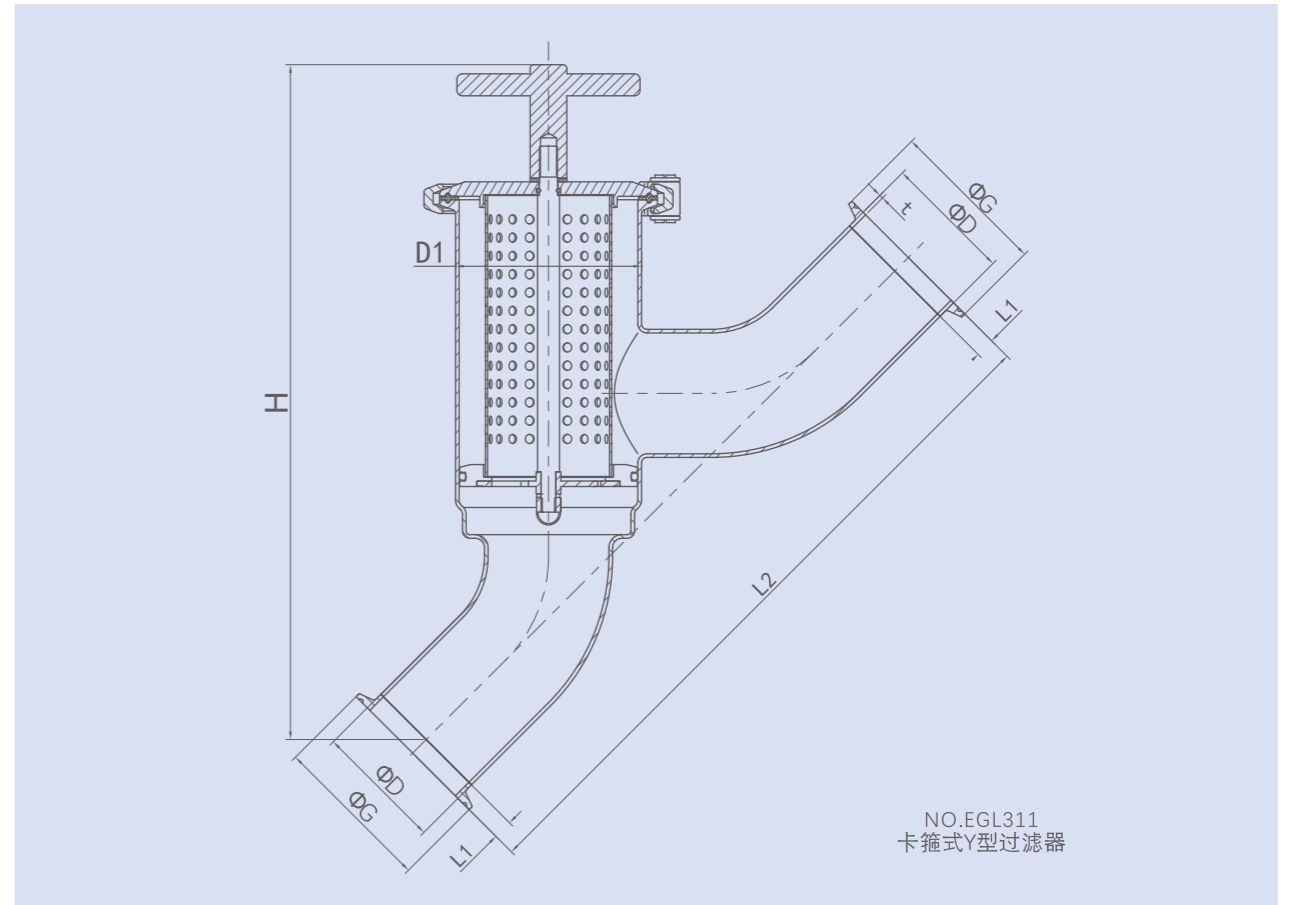


INCH Y型过滤器

| SIZE   | D     | t    | G    | D1    | H     | L   | L1   | L2    |
|--------|-------|------|------|-------|-------|-----|------|-------|
| 1"     | 25.4  | 1.65 | 50.5 | 76.2  | 268   | 204 | 12.7 | 229.4 |
| 1 1/4" | 31.8  | 1.5  | 50.5 | 76.2  | 279   | 226 | 12.7 | 251.4 |
| 1 1/2" | 38.1  | 1.65 | 50.5 | 76.2  | 287   | 242 | 12.7 | 267.4 |
| 2"     | 50.8  | 1.65 | 64   | 101.6 | 335.5 | 280 | 12.7 | 305.4 |
| 2 1/2" | 63.5  | 2.0  | 77.5 | 101.6 | 376.5 | 362 | 12.7 | 387.4 |
| 3"     | 76.2  | 2.0  | 91   | 114.3 | 418   | 406 | 12.7 | 431.4 |
| 3 1/2" | 89    | 2.0  | 106  | 114.3 | 418   | 406 | 12.7 | 431.4 |
| 4"     | 101.6 | 2.0  | 119  | 154   | 549   | 460 | 15.8 | 491.6 |

注意：以上数据图相关尺寸不作为实物最终依据，东正保留对于数据更新权限不再另行通知。  
Note: The relevant dimensions of the above data diagrams are not regarded as the final basis of the actual object. Dongzheng reserves the right to update the data without further notice.

Y型过滤器外形尺寸图



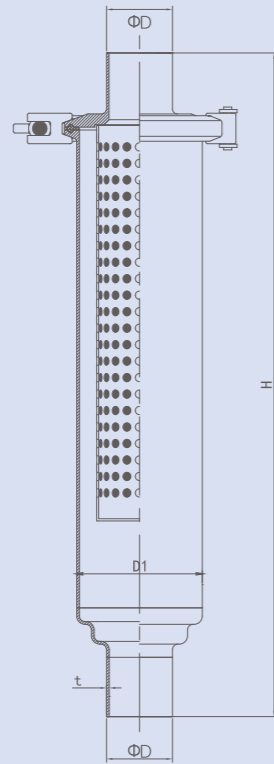
DIN Y型过滤器

| SIZE  | D   | t   | G    | D1    | H     | L   | L1   | L2  |
|-------|-----|-----|------|-------|-------|-----|------|-----|
| DN25  | 28  | 1.5 | 50.5 | 76.2  | 268   | 204 | 21.5 | 247 |
| DN32  | 34  | 1.5 | 50.5 | 76.2  | 279   | 226 | 21.5 | 269 |
| DN40  | 40  | 1.5 | 50.5 | 76.2  | 287   | 242 | 21.5 | 285 |
| DN50  | 52  | 1.5 | 64   | 101.6 | 335.5 | 280 | 21.5 | 323 |
| DN65  | 70  | 2.0 | 91   | 101.6 | 376.5 | 362 | 28   | 418 |
| DN80  | 85  | 2.0 | 106  | 114.3 | 418   | 406 | 28   | 462 |
| DN100 | 104 | 2.0 | 119  | 154   | 548.5 | 460 | 28   | 516 |

注意：以上数据图相关尺寸不作为实物最终依据，东正保留对于数据更新权限不再另行通知。  
Note: The relevant dimensions of the above data diagrams are not regarded as the final basis of the actual object. Dongzheng reserves the right to update the data without further notice.

# 过滤器 Filter

I型(直通)过滤器外形尺寸图



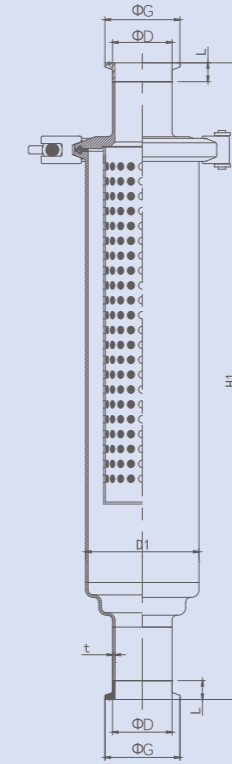
NO.EGL110  
焊接式直通过滤器

DIN直通过滤器

| SIZE  | D   | t   | G    | D1    | L    | H     | H1    |
|-------|-----|-----|------|-------|------|-------|-------|
| DN25  | 28  | 1.5 | 50.5 | 76.2  | 21.5 | 406.5 | 449.5 |
| DN32  | 34  | 1.5 | 50.5 | 76.2  | 21.5 | 406.5 | 449.5 |
| DN40  | 40  | 1.5 | 50.5 | 76.2  | 21.5 | 406.5 | 449.5 |
| DN50  | 52  | 1.5 | 64   | 101.6 | 21.5 | 485   | 528   |
| DN65  | 70  | 2.0 | 91   | 101.6 | 28   | 485   | 541   |
| DN80  | 85  | 2.0 | 106  | 114.3 | 28   | 520   | 576   |
| DN100 | 104 | 2.0 | 119  | 154   | 28   | 627   | 683   |

注意：以上数据图相关尺寸不作为实物最终依据，东正保留对于数据更新权限不再另行通知。  
Note: The relevant dimensions of the above data diagrams are not regarded as the final basis of the actual object. Dongzheng reserves the right to update the data without further notice.

I型(直通)过滤器外形尺寸图



NO.EGL111  
卡箍式直通过滤器

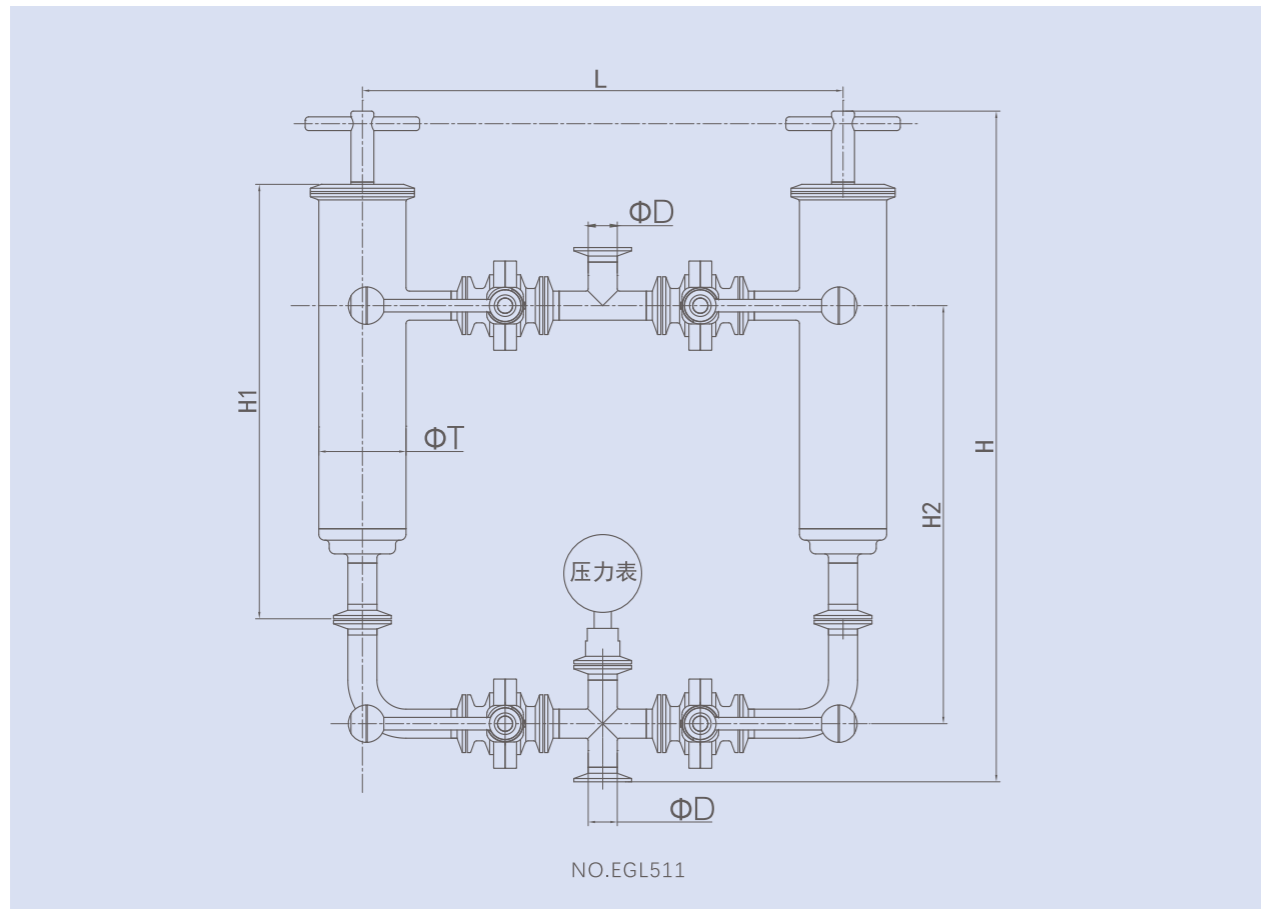
INCH直通过滤器

| SIZE   | D     | t    | G    | D1    | L    | H     | H1    |
|--------|-------|------|------|-------|------|-------|-------|
| 1"     | 25.4  | 1.65 | 50.5 | 76.2  | 12.7 | 406.5 | 431.9 |
| 1 1/4" | 31.8  | 1.5  | 50.5 | 76.2  | 12.7 | 406.5 | 431.9 |
| 1 1/2" | 38.1  | 1.65 | 50.5 | 76.2  | 12.7 | 406.5 | 431.9 |
| 2"     | 50.8  | 1.65 | 64   | 101.6 | 12.7 | 485   | 510.4 |
| 2 1/2" | 63.5  | 2.0  | 77.5 | 101.6 | 12.7 | 485   | 510.4 |
| 3"     | 76.2  | 2.0  | 91   | 114.3 | 12.7 | 520   | 545.4 |
| 3 1/2" | 89    | 2.0  | 106  | 114.3 | 12.7 | 520   | 545.4 |
| 4"     | 101.6 | 2.0  | 119  | 154   | 15.8 | 627   | 658.6 |

注意：以上数据图相关尺寸不作为实物最终依据，东正保留对于数据更新权限不再另行通知。  
Note: The relevant dimensions of the above data diagrams are not regarded as the final basis of the actual object. Dongzheng reserves the right to update the data without further notice.

# 过滤器 Filter

双联过滤器外形尺寸图

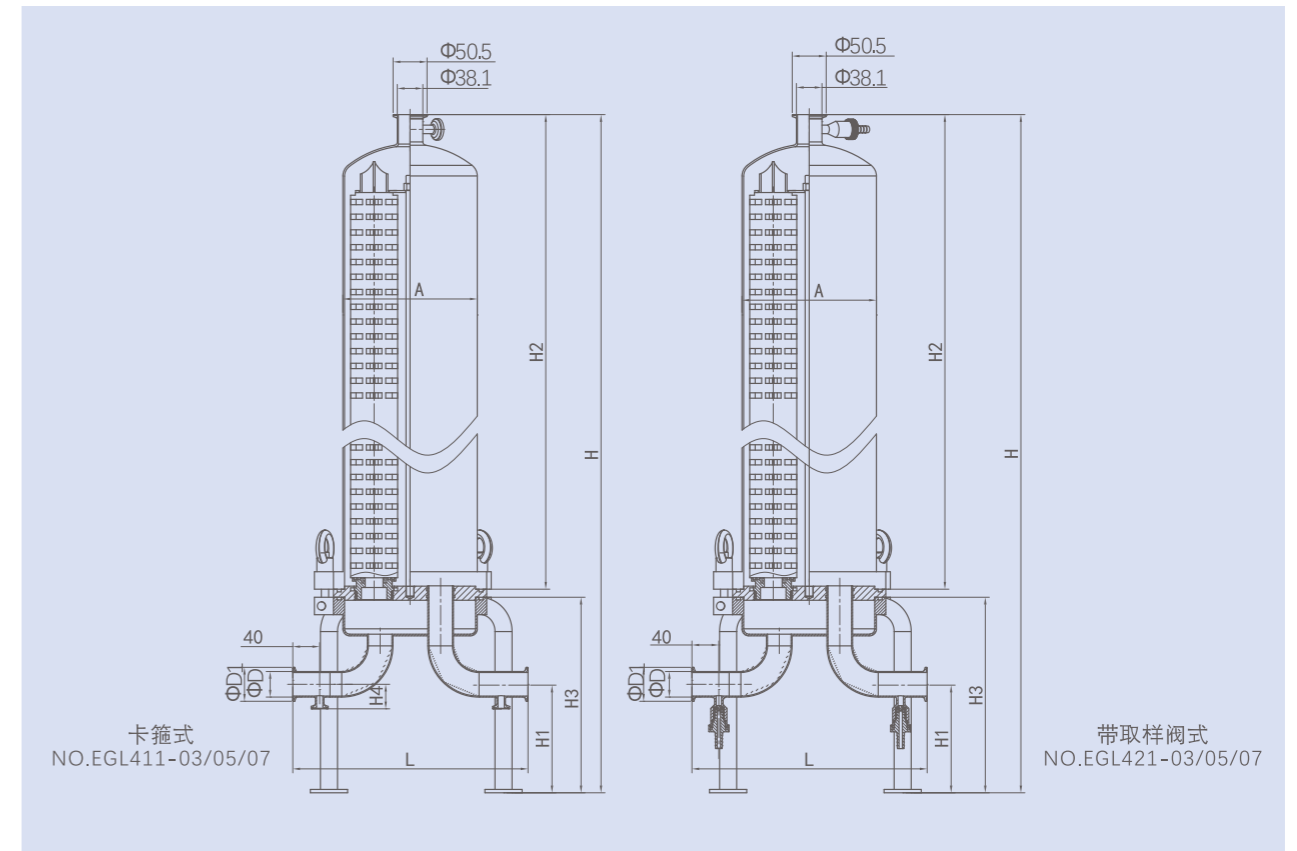


双联过滤器

| SIZE  | D     | T     | L     | H1    | H2    | H      |
|-------|-------|-------|-------|-------|-------|--------|
| 1"    | 25.4  | 76.2  | 420   | 379.8 | 365.4 | 597.2  |
| 1.25" | 31.8  | 76.2  | 439.2 | 379.8 | 365.4 | 595.9  |
| 1.5"  | 38.1  | 76.2  | 466.2 | 380.4 | 365.4 | 605.4  |
| 2"    | 50.8  | 101.6 | 562.8 | 509   | 535.7 | 776.9  |
| 2.5"  | 63.5  | 101.6 | 537.4 | 509   | 535.7 | 760.2  |
| 3"    | 76.2  | 114.3 | 588.5 | 528   | 523.2 | 799.1  |
| 4"    | 101.6 | 154   | 768.5 | 657.3 | 667.7 | 1008.1 |
| 5"    | 127   | 204   | 945.5 | 834.5 | 860   | 1255.8 |
| 6"    | 152.4 | 204   | 1095  | 834.5 | 898   | 1306.6 |

注意：以上数据图相关尺寸不作为实物最终依据，东正保留对于数据更新权限不再另行通知。  
Note: The relevant dimensions of the above data diagrams are not regarded as the final basis of the actual object. Dongzheng reserves the right to update the data without further notice.

微孔过滤器外形尺寸图



三芯过滤器

| SIZE | L   | H    | H1    | H2   | H3  | H4 | D    | D1   | A   | 滤芯接口        |
|------|-----|------|-------|------|-----|----|------|------|-----|-------------|
| 10"  | 350 | 685  | 160.4 | 380  | 293 | 35 | 38.1 | 50.5 | 204 | 226 ( 222 ) |
| 20"  | 350 | 935  | 160.4 | 630  | 293 | 35 | 38.1 | 50.5 | 204 | 226 ( 222 ) |
| 30"  | 350 | 1185 | 160.4 | 880  | 293 | 35 | 38.1 | 50.5 | 204 | 226 ( 222 ) |
| 40"  | 350 | 1435 | 160.4 | 1130 | 293 | 35 | 38.1 | 50.5 | 204 | 226 ( 222 ) |

五芯过滤器

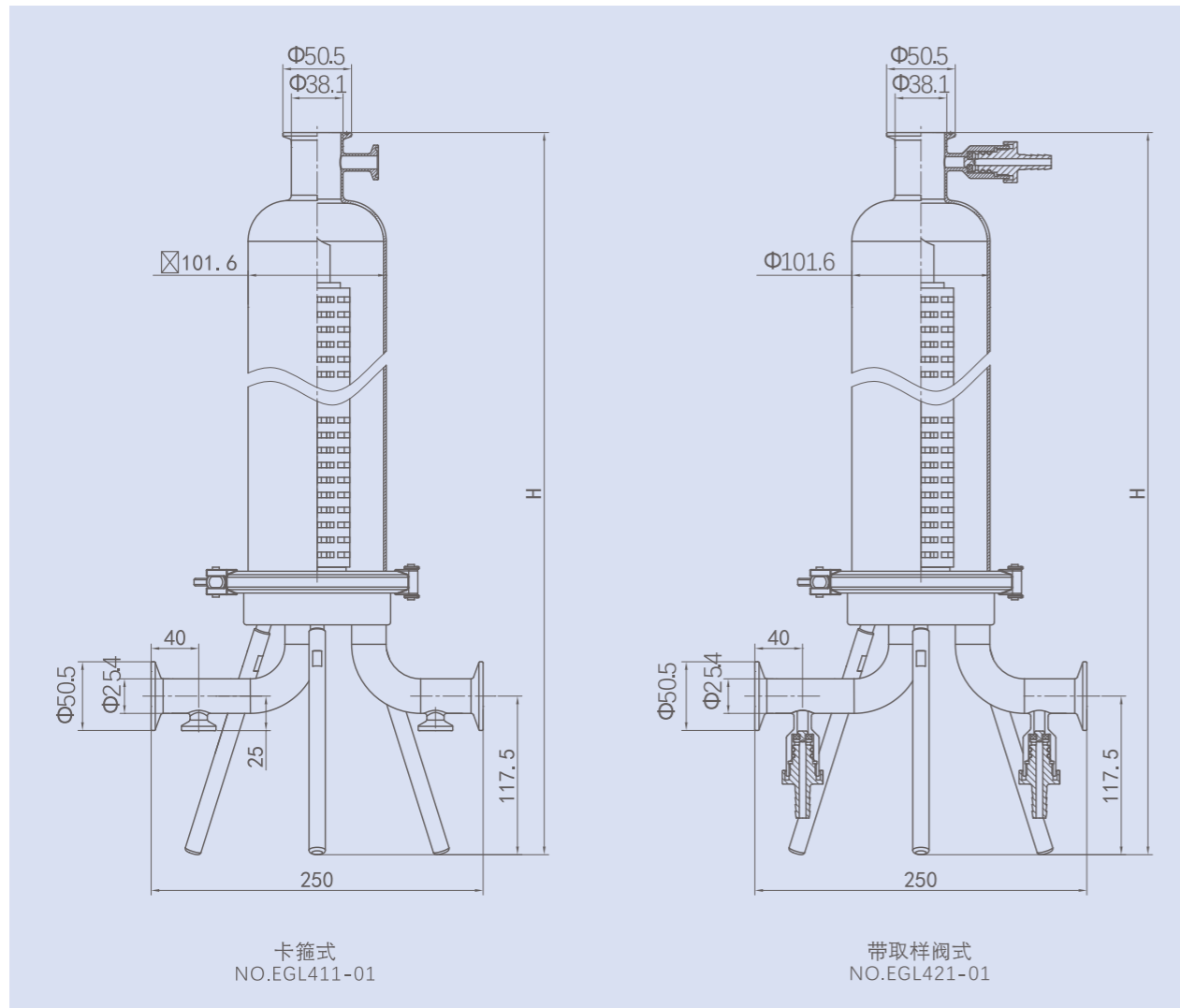
| SIZE | L   | H    | H1    | H2   | H3  | H4 | D    | D1   | A   | 滤芯接口        |
|------|-----|------|-------|------|-----|----|------|------|-----|-------------|
| 10"  | 350 | 679  | 152.5 | 380  | 287 | 35 | 38.1 | 50.5 | 219 | 226 ( 222 ) |
| 20"  | 350 | 929  | 152.5 | 630  | 287 | 35 | 38.1 | 50.5 | 219 | 226 ( 222 ) |
| 30"  | 350 | 1179 | 152.5 | 880  | 287 | 35 | 38.1 | 50.5 | 219 | 226 ( 222 ) |
| 40"  | 350 | 1429 | 152.5 | 1130 | 287 | 35 | 38.1 | 50.5 | 219 | 226 ( 222 ) |

七芯过滤器

| SIZE | L   | H    | H1  | H2   | H3  | H4 | D    | D1 | A   | 滤芯接口        |
|------|-----|------|-----|------|-----|----|------|----|-----|-------------|
| 10"  | 450 | 714  | 152 | 390  | 312 | 45 | 50.8 | 64 | 273 | 226 ( 222 ) |
| 20"  | 450 | 964  | 152 | 640  | 312 | 45 | 50.8 | 64 | 273 | 226 ( 222 ) |
| 30"  | 450 | 1214 | 152 | 890  | 312 | 45 | 50.8 | 64 | 273 | 226 ( 222 ) |
| 40"  | 450 | 1464 | 152 | 1140 | 312 | 45 | 50.8 | 64 | 273 | 226 ( 222 ) |

# 过滤器 Filter

微孔过滤器外形尺寸图

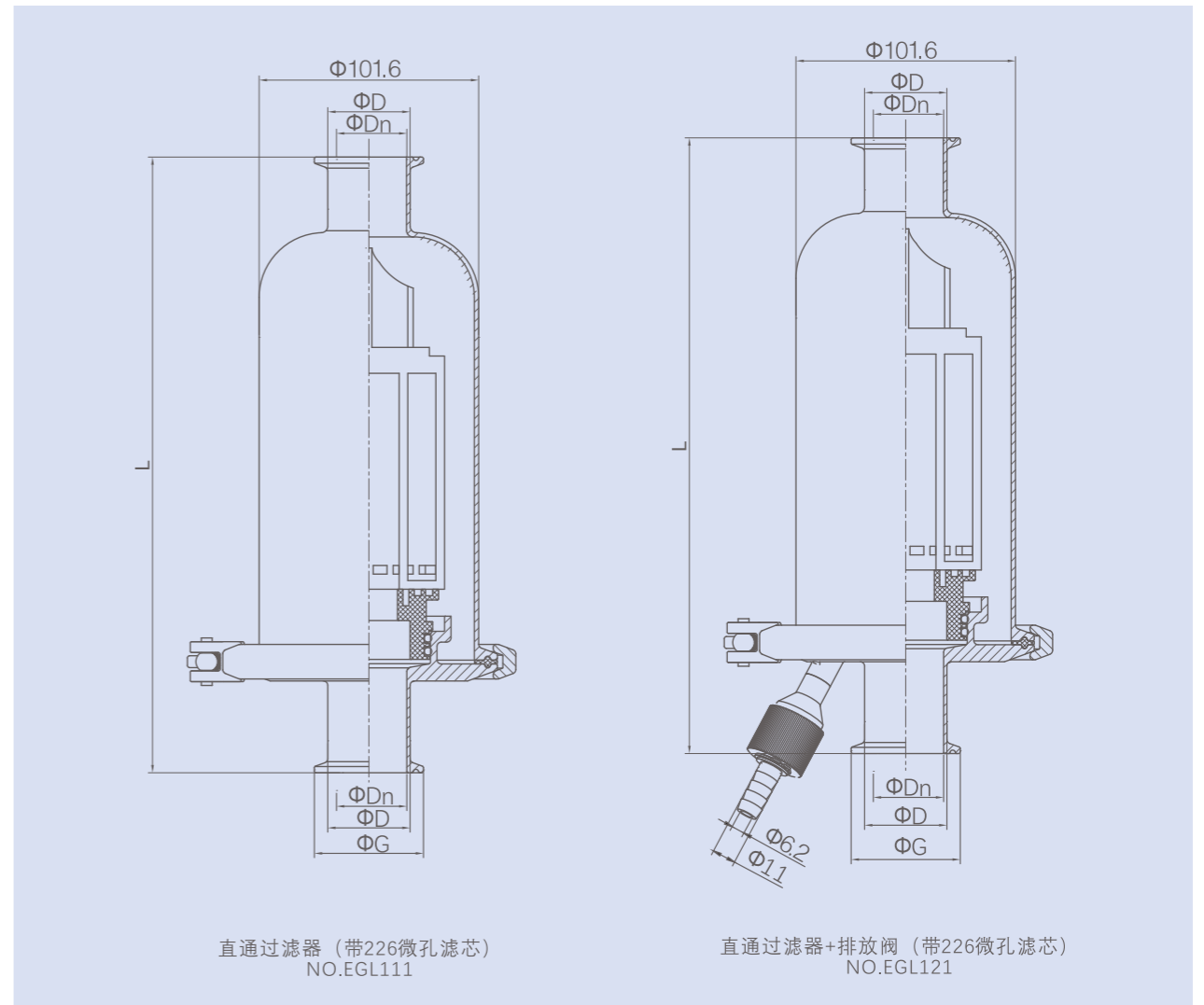


单芯过滤器

| SIZE | H      | 滤芯接口     |
|------|--------|----------|
| 5"   | 434.3  | 226 (7#) |
| 10"  | 561.3  | 226 (7#) |
| 20"  | 815.3  | 226 (7#) |
| 30"  | 1069.3 | 226 (7#) |

注意：以上数据图相关尺寸不作为实物最终依据，东正保留对于数据更新权限不再另行通知。  
Note: The relevant dimensions of the above data diagrams are not regarded as the final basis of the actual object. Dongzheng reserves the right to update the data without further notice.

直通微孔过滤器外形尺寸图



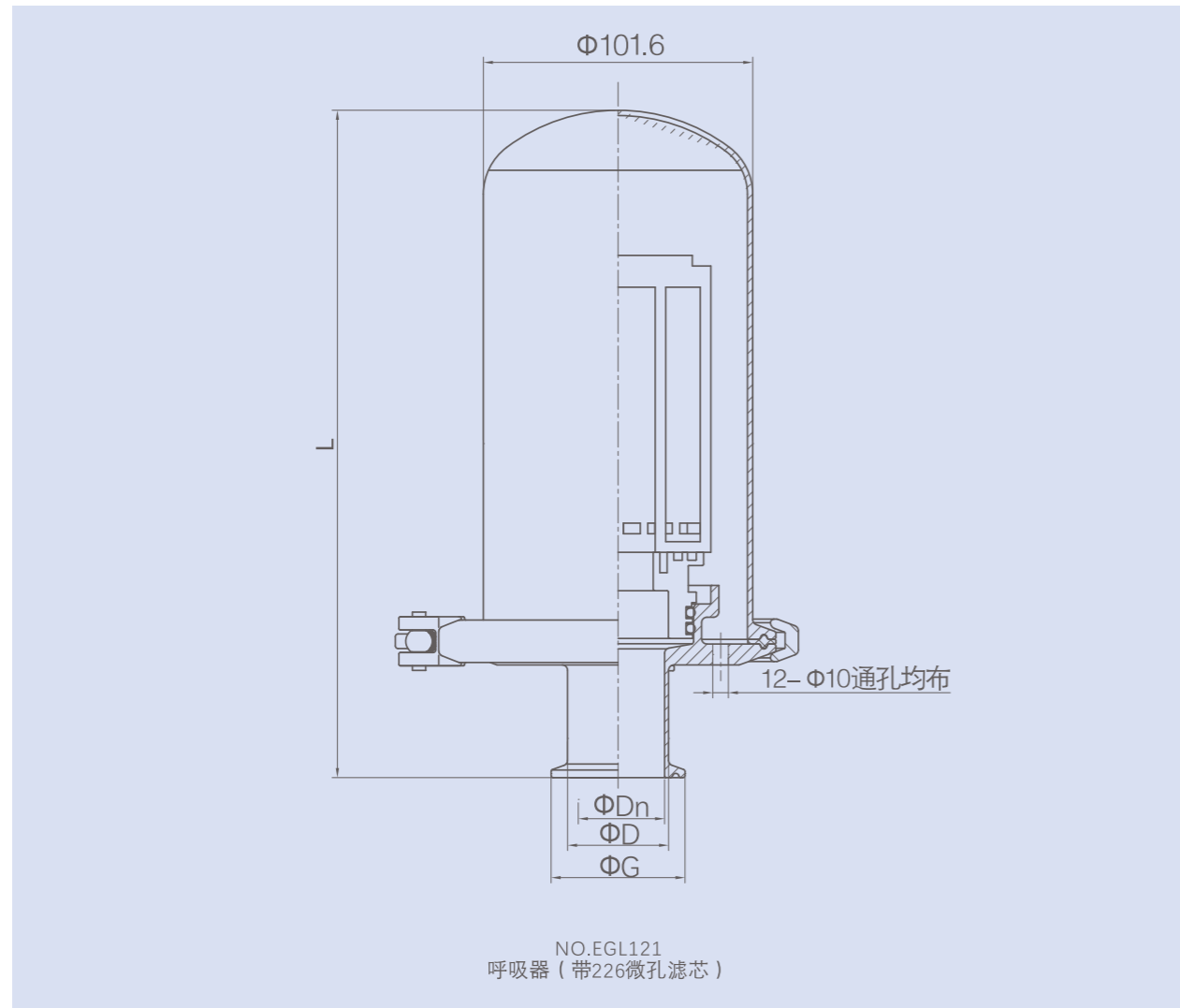
直通微孔过滤器外形尺寸图

| SIZE | D    | Dn   | G    | L        |           |           |           |           |
|------|------|------|------|----------|-----------|-----------|-----------|-----------|
|      |      |      |      | 5"微孔滤芯长度 | 10"微孔滤芯长度 | 20"微孔滤芯长度 | 30"微孔滤芯长度 | 40"微孔滤芯长度 |
| 1"   | 25.4 | 22.4 | 50.5 | 285      | 412       | 666       | 920       | 1174      |
| 1.5" | 38.1 | 35.1 | 50.5 | 285      | 412       | 666       | 920       | 1174      |
| 2"   | 50.8 | 47.8 | 64   | 270.5    | 397.5     | 651.5     | 905.5     | 1159.5    |

注意：以上数据图相关尺寸不作为实物最终依据，东正保留对于数据更新权限不再另行通知。  
Note: The relevant dimensions of the above data diagrams are not regarded as the final basis of the actual object. Dongzheng reserves the right to update the data without further notice.

# 过滤器 Filter

空气呼吸器外形尺寸图



空气呼吸器外形尺寸图

| SIZE | D    | Dn   | G    | L        |           |           |           |           |
|------|------|------|------|----------|-----------|-----------|-----------|-----------|
|      |      |      |      | 5°微孔滤芯长度 | 10°微孔滤芯长度 | 20°微孔滤芯长度 | 30°微孔滤芯长度 | 40°微孔滤芯长度 |
| 1"   | 25.4 | 22.4 | 50.5 | 252      | 379       | 633       | 887       | 1141      |
| 1.5" | 38.1 | 35.1 | 50.5 | 252      | 379       | 633       | 887       | 1141      |
| 2"   | 50.8 | 47.8 | 64   | 237.5    | 364.5     | 618.5     | 872.5     | 1126.5    |

注意：以上数据图相关尺寸不作为实物最终依据，东正保留对于数据更新权限不再另行通知。  
Note: The relevant dimensions of the above data diagrams are not regarded as the final basis of the actual object. Dongzheng reserves the right to update the data without further notice.