

DONJOY looking forward to your visit! Your telecommunications!



东正科技有限公司
DONJOY TECHNOLOGY CO.,LTD.

地址: 温州空港新区港富路25号
总机: 0577-86990888
传真: 0577-86998000

Add: No.25 Gang fu Road, konggang
new District, Longwan Wenzhou, China
Tel: +86-577-86990888
Fax: +86-577-86998000
E-mail: donjoy@cndonjoy.com

www.cndonjoy.com

法律声明:
目录样册版权归东正所有, 如有抄袭, 必将追究其法律责任和经济赔偿。
东正已获得国家版权局书刊号。东正诸多产品技术, 都具有专利保护, 如有抄袭,
必将追究法律责任和经济赔偿。

Legal statement:
Copyright of the catalogue belongs to Donjoy. If there is plagiarism,
it will be investigated for legal responsibility and economic compensation.
Donjoy has been granted publications number by China's National Copyright.
Donjoy products and technology with patent protection,
If there is plagiarism, it will be investigated for legal responsibility
and economic compensation.

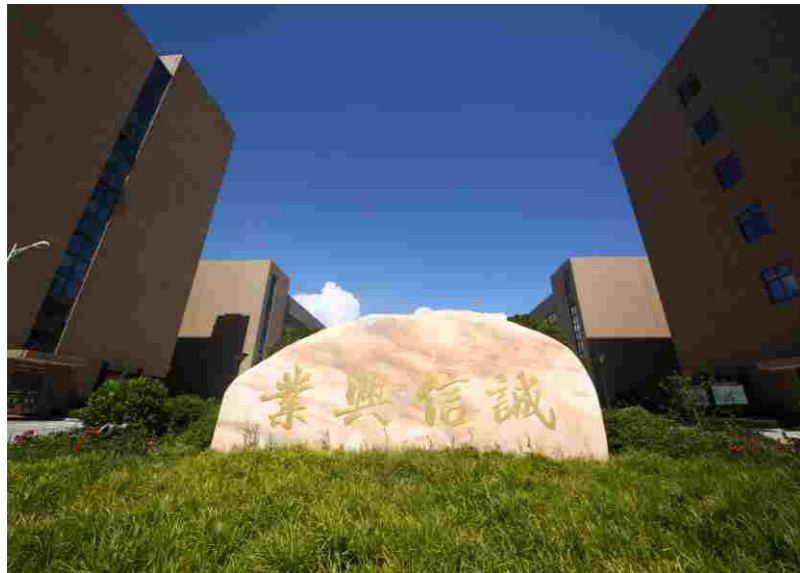
Diaphragm valve

03 / 隔膜阀 智能制造



国家高新技术企业 专精特新企业

Advantages



30 YEARS

30年的阀门研发与制造
More than 30 years valve and pump R&d and Manufacturing

23 YEARS

23年的高洁净泵研发与制造
More than 23 years high purity pump R&d and Manufacturing

18 YEARS

18年的阀门控制器研发与制造
More than 18 years valve controller R&d and Manufacturing

15 YEARS

15年的清洗技术研发与制造
More than 15 years Cleaning technology R&d and Manufacturing

300

300多人的专业团队
A profession team of over 300 people

200

200多项知识产权
More than 200 intellectual property rights

30

30多项国际权威认证
More than 30 international authoritative certifications

20

20多项国家与省级荣誉
More than 20 national and provincial honors certificates

超过10年研发经验
工程师队伍

We have more than 10 years experienced engineer team in R & D.

日本Mazak
CNC复合型加工中心
CNC切削中心
CNC车床

Japan Mazak
CNC compound machining center
CNC cutting center
CNC lathe

发那科《Fanuc》
全自动机器人生产线
《Fanuc》 Automatic robot
production line

高新技术企业、
省著名商标、
主任质量奖、4项发明、
200余项专利
New high-tech enterprise.
Provincial famous trademark.
Director's Quality Award.4 inventions
More than 200 patents

欧盟CE
美国3-A, FDA
中国特种制造许可证 TS
防爆认证ATEX CNEX
European Union CE certificate
USA 3-A, FDA
China Special Manufacturing
License TS
ATEX CNEX

我们能为你提供
定制化技术服务和制造,
OEM ODM
We can provide
you OEM & ODM service

领先的检测手段,
30多台专业检测设备和
50多种检测方法, 确保
每个产品性能和精度
Advanced detection method.
More than 30 pcs professional
testing equipment. More than
50 inspection ways, insure product
performance and accuracy

30 YEARS

30年洁净领域的专注
30 years of focus in the field of cleanliness

30 YEARS

30年工程应用经验与市场考验
30 years of engineering application experience and market test

三十而立正蕴含着新的力量，
未来我们将一如既往的致力于技术革新！
We Donjoy have established for 30 years, still full of
new energy, in the future we will stick to concentrate on
technology innovation

Introduction

东正创立于1993年，占地面积29000m²，注册资本1.0558亿元，员工300余人，技术团队30余人，200余项知识产权，国际权威认证30余项，国家与省级荣誉证书20余项，且拥有国际领先的加工技术和制造设备，如Mazak CNC四轴、五轴加工中心、复合型切削中心、FANUC机器人生产线以及各种国际领先的检测设备。

东正制造的产品远销全球并获得国内外用户高度好评，我们产品和技术涵盖高洁净泵、阀门控制技术、PID自控阀门、高洁净阀门、容器管道安全控制技术、容器清洗技术、容器管道照明技术、过滤技术以及高洁净管道和配件等。广泛应用于生物制药、食品饮料、酿酒、精细化工、日化洗涤、纺织印染、电池和新能源等工业领域。

Donjoy is founded in 1993, covers an area of 29,000 square meters, registered capital of 105.58 million yuan, we have more than 300 employees, we have more than 30 persons technical team, we have more than 200 intellectual property rights, we have more than 30 authoritative international certification, we have more than 20 national and provincial certifications, and has an international leader of first processing technology and manufacturing equipment, such as Mazak CNC four axis, five axis machining center, compound cutting center, FANUC robot production line and various international collar first detection equipment, etc.

The products manufactured by Donjoy are sold all over the world and are highly praised by domestic and overseas Products and technology cover high purity pump, valve control technology, PID automatic control valve, high purity valve, container pipeline safety control technology, container cleaning technology, container pipe road lighting technology, filtration technology and high purity pipes and accessories. Widely used in the biopharmaceuticals, food and beverage, wine, fine chemicals, daily chemical washing, textile printing and dyeing, battery and new energy and other industrial fields.

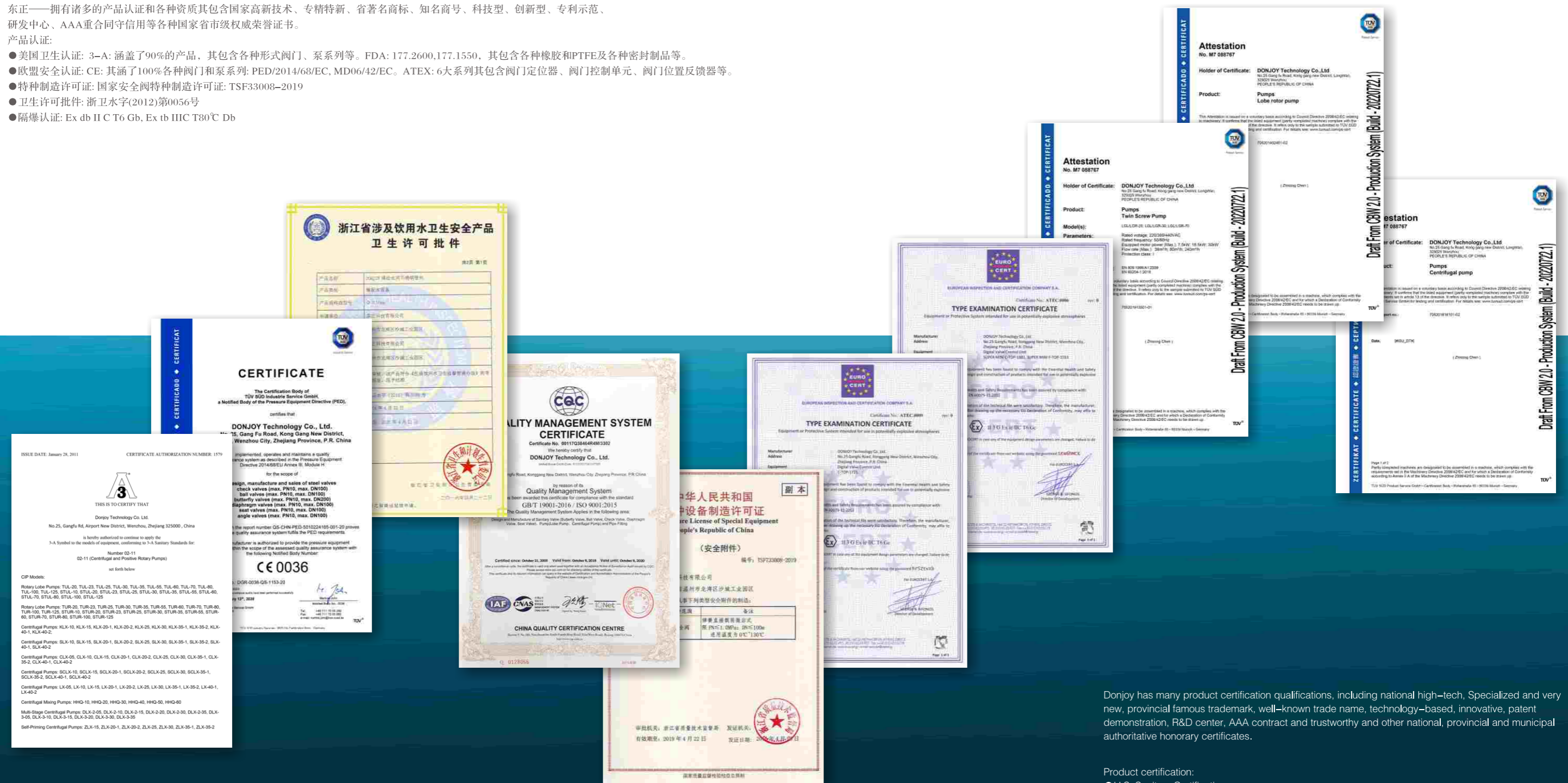


Certification

东正——拥有诸多的产品认证和各种资质其包含国家高新技术、专精特新、省著名商标、知名商号、科技型、创新型、专利示范、研发中心、AAA重合同守信用等各种国家省市级权威荣誉证书。

产品认证:

- 美国卫生认证: 3-A: 涵盖了90%的产品, 其包含各种形式阀门、泵系列等。FDA: 177.2600, 177.1550, 其包含各种橡胶和PTFE及各种密封制品等。
- 欧盟安全认证: CE: 其涵盖了100%各种阀门和泵系列: PED/2014/68/EC, MD06/42/EC。ATEX: 6大系列其包含阀门定位器、阀门控制单元、阀门位置反馈器等。
- 特种制造许可证: 国家安全阀特种制造许可证: TSF33008-2019
- 卫生许可批件: 浙卫水字(2012)第0056号
- 防爆认证: Ex db IIC T6 Gb, Ex tb IIIC T80°C Db

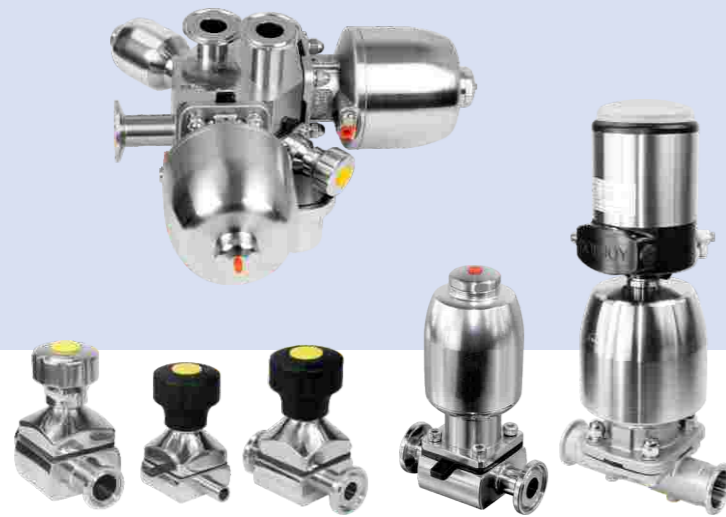


Donjoy has many product certification qualifications, including national high-tech, Specialized and very new, provincial famous trademark, well-known trade name, technology-based, innovative, patent demonstration, R&D center, AAA contract and trustworthy and other national, provincial and municipal authoritative honorary certificates.

- Product certification:
- U.S. Sanitary Certification
 - 3-A: Covers 90% of products, including all kinds of valves, pump, etc.
 - FDA: 177.2600, 177.1550, containing various rubber, PTFE and other sealing products.
 - EU safety certification
 - CE: covers all kinds of valves and pumps: PED/2014/68/EC, MD06/42/EC.
 - ATEX: 6 major series, including valve positioner, valve control unit, valve position feedback device, etc.
 - Special manufacturing license: National safety valve special manufacturing license: TSF33008-2019
 - Sanitation license approval document: Zhewei Shuizi (2012) No. 0056
 - Flameproof certification: Ex db IIC T6 Gb, Ex tb IIIC T80°C Db

隔膜阀 Diaphragm valve

GM-type



东正制造高洁净隔膜阀已经有20年历史，且为各领域应用超过50多万只，涉及到品种超过300余种，从直通、三通、U型三通、多通道、调节式，手动、气动、电动可互换。

Donjoy has been manufacturing high-cleanliness diaphragm valves for 20 years and has applied more than 500,000 pieces in various fields, involving more than 300 varieties, such as 2-way, 3-way, U-shaped 3-way, multi-ports, adjustable, manual, pneumatic, electric, etc.

应用

- 隔膜阀，手动或气动操作，专门应用于制药工业中的卫生和无菌过程。
- 该阀门非常适用于流体控制和开关的任务。
- 该隔膜阀同其他阀门设计相比，更容易清洁，很好的处理带颗粒的物料，在流量控制的应用上，气穴现象也更少些。

工作原理

- 膜片提供阀体密封和阀座密封。里面没有路径通到外部环境，所以该阀门适用于无菌过程。
- 当阀门关闭时，支撑膜片的压力垫朝阀体上的密封面移动。当压力板移动时，膜片弯曲，被迫推向阀体中心的阀座区域，因此关闭了通向阀体的流体路径。
- 阀体和压力板的相互关系，防止了膜片的挤压。
- 该阀门可以手动也可以气动操作，也可以通过控制器和电磁阀控制。

Applications

- Diaphragm valves, manually or pneumatically operated, and specifically designed for use on hygiene and aseptic processes in the pharmaceutical industries.
- The valve is excellent for flow control as well as for open/ close duties.
- The diaphragm valves are better in feature of flow in comparison with other valves. It is easier to clean up and better to process the substance with particles. The phenomenon of air pocket is rare during application of flow control.

Operating principles

- The diaphragm provides the body seal as well as the seat seal. There are no paths to the outside environment so it suitable for aseptic processes.
- When the valve is closed a pressure pad which supports the diaphragm moves towards the sealing face on the body. When the pressure plate moves the diaphragm flexes and is forced down onto the seat area in the centre of the body thus closing off the flow path through the body.
- The inter relationship of body to the pressure plate prevents over compression of the diaphragm.
- The valve can be manual operation and pneumatic operation control tops of solenoid valves.

隔膜阀认证

- 制造工艺中用到的所有合成树脂和添加剂都符合FDA认证
- 材料化学成分、物理性能和制造工艺都备有证明文件
- 所有隔膜片FDA一致性认证
- -21-CFR-FDA 177.1550 全氟合成树脂
- -21-CFR-FDA-177.2600 橡胶
- USP 28CLASS VI CHAPTER 87 IN VITON和CHAPTER 88 IN-VITON一致性认证
- 3-A一致性认证 N.O.: 54-02-1580
- EN 10204-3.1关于不锈钢化学成分合成追溯性证书
- CE-PED/97/23/EC N.O.: TUV DGR 0036-QS-1153-14

Certificates

- All synthetic resin and additive are comply with FDA certification
- Material chemical composition, physical properties and manufacturing process are documented
- All diaphragm seal consistency with FDA certificate
- -21-CFR-FDA 177.1550 perfluorocarbon synthetic resin
- -21-CFR-FDA-177.2600 rubber
- USP 28 class VI CHAPTER 87 IN VITON and CHAPTER 88 IN - VITON consistency the authentication
- 3-A consistency authentication NO: 54-02-1580
- EN 10204-3.1 Certificate on traceability of stainless steel Chemical composition synthesis
- CE-PED/97/23/EC N.O.: TUV DGR 0036-QS-1153-14



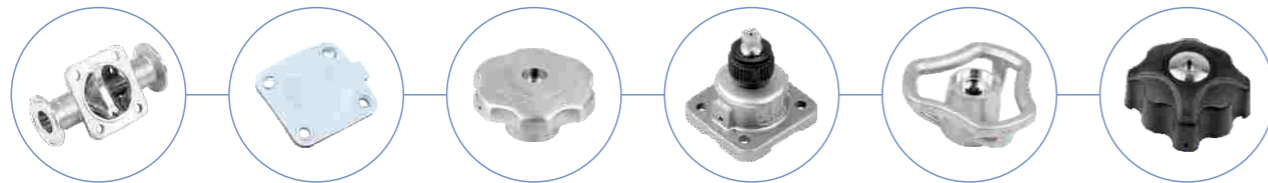
隔膜阀 Diaphragm valve

技术特点

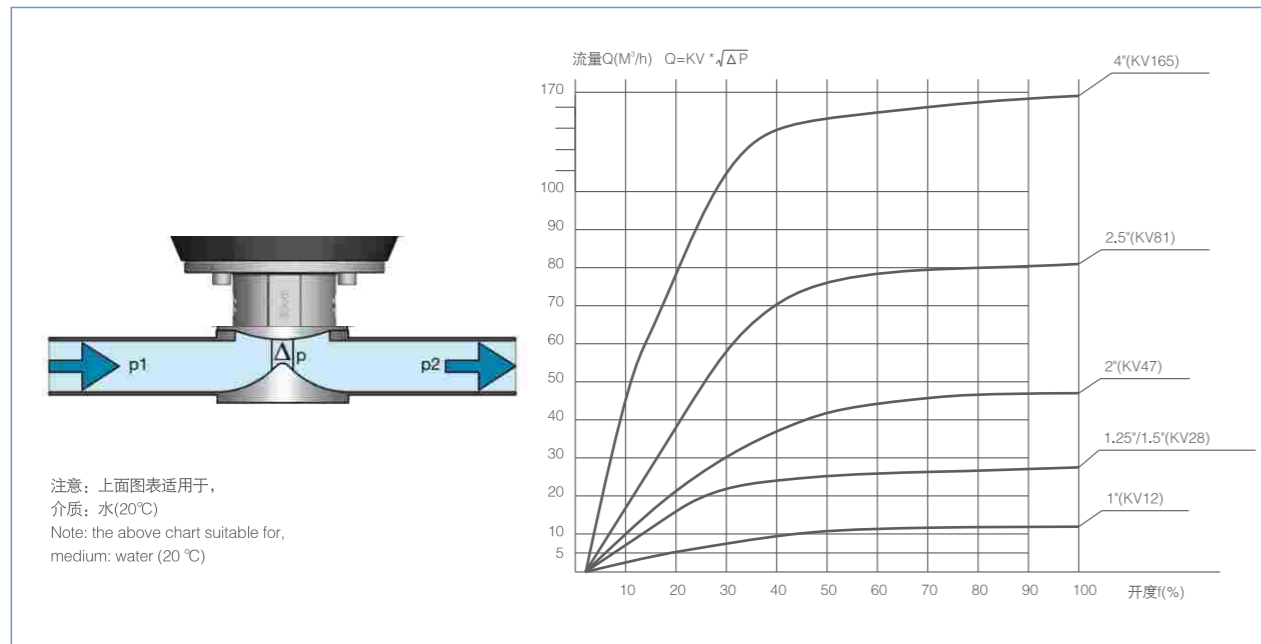
- 规格: 1/4"-4", DN6-DN100
- 材质: 316L/1.4404, ASME BPE 316L 1.4435 NB2 Fe≤0.5%
- 压力: 真空 ~10bar(1.0 Mpa)
- 温度: -20°C 到 +150°C, 取决密封于材质
- 密封: EPDM SILICON FKM FFKM HNBR NBR EPDM+PTFE
- 连接标准: DIN SMS ISO IDF RJT BS4825 ASME BPE 3A DIN11864 DIN11853
- 连接方式: 螺纹、卡箍、焊接、法兰
- 驱动方式: 手动、气动、电动
- 粗糙度: Ra≤0.6 μm; MP=Ra≤0.3 μm; EP=Ra≤0.3 μm
- 认证: FDA 177.2600; 3A-18-03; Glass II USP Glass VI Chapter 88; GB4806.11; EG VO/1935-2004; PED/97/23/EC.

Technical Features

- Size: 1/4"-4", DN6-DN100
- Material: 316L/1.4404, ASME BPE 316L 1.4435 NB2 Fe≤0.5%
- Pressure: vacuum to 10bar (1.0 Mpa)
- Temperature: -20°C to +150°C, Depending on the seal material
- Seal: EPDM SILICON FKM FFKM HNBR NBR EPDM+PTFE
- Connection standard: DIN SMS ISO IDF RJT BS4825 ASME BPE 3A DIN11864 DIN11853
- Connection way: threaded, clamp, welding, flange
- Drive mode: manual, pneumatic, electric
- Roughness: Ra≤0.6 μm; MP=Ra≤0.3 μm; EP=Ra≤0.3 μm
- Certification: FDA 177.2600; 3A-18-03; Glass II USP Glass VI Chapter 88; GB4806.11; EG VO/1935-2004; PED/97/23/EC.



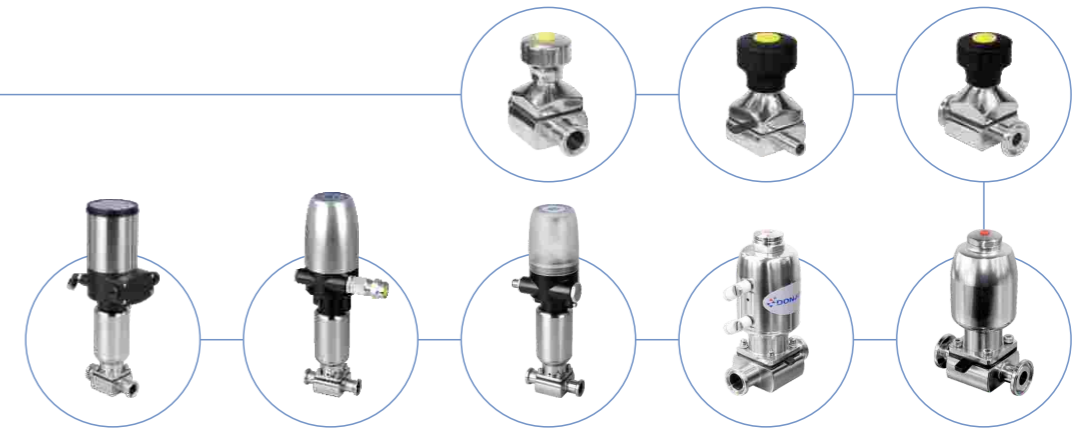
隔膜阀流量/选择(开度f)图表 Diaphragm valve flow /choose (open degree f) chart



注意: 开关量KV曲线仅供参考, 100%开度为精确KV值 Note: On-off KV curve for reference, 100% open is accurate KV value

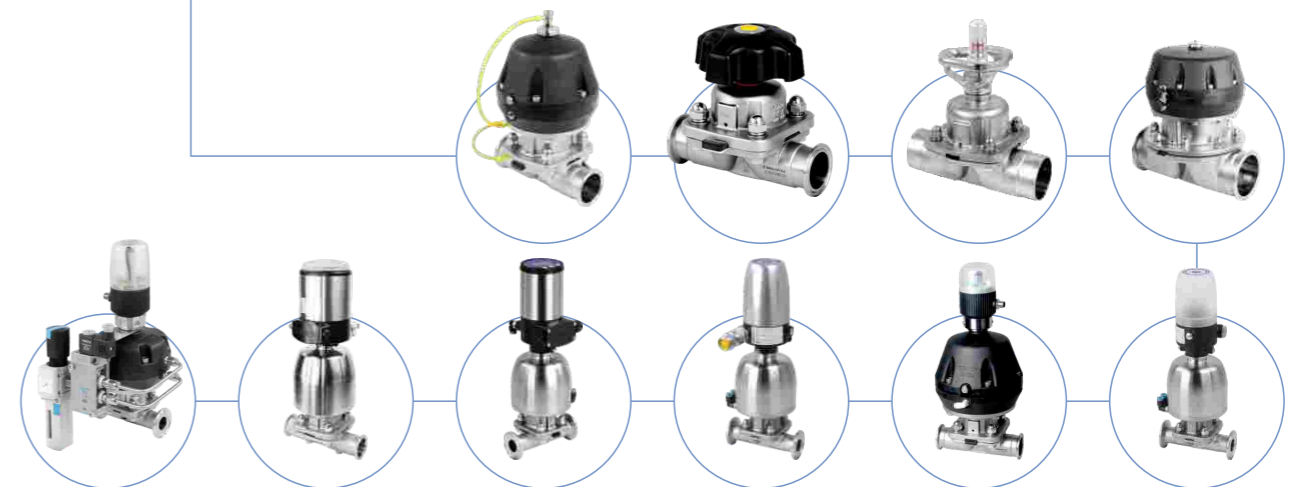
GM-Mini type

迷你隔膜阀
Mini diaphragm valve



GM-Z type

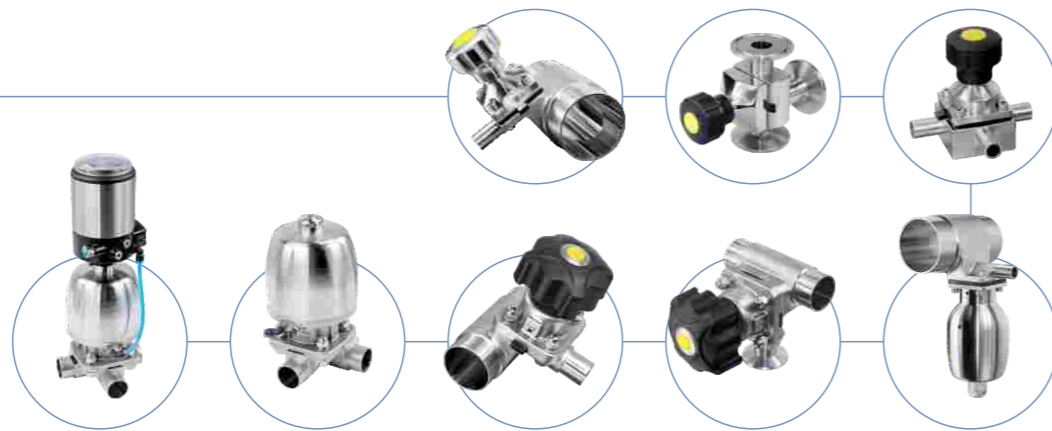
直通隔膜阀
2-way diaphragm valve



隔膜阀 Diaphragm valve

GM-T type

三通隔膜阀
Three-way diaphragm valve



GM-UB type

三通隔膜阀-UB
Three-way diaphragm valve-UB



GM-UC type

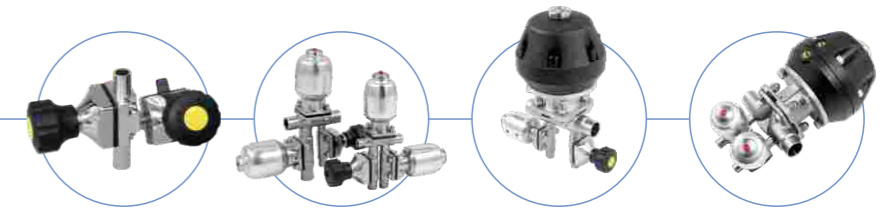
三通隔膜阀-UC
Three-way diaphragm valve-UC



组合式多通道隔膜阀 Combined multi-port diaphragm valve

组合式多通道隔膜阀设计方案不计其数，以下仅为例举；
我们设计死区方案遵循 $\leq 3D$ 为原则。

Multi-port diaphragm valve has a great diversity of design scheme, below only for example;
the design scheme according to dead zone $\leq 3D$.

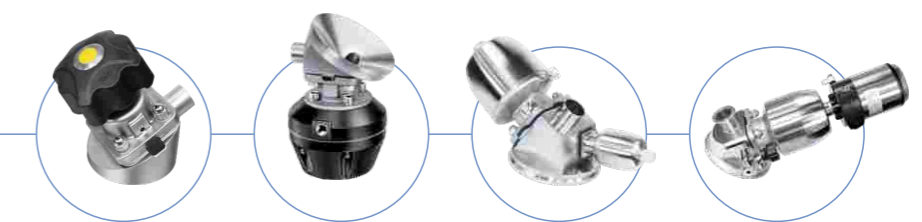


因多通道隔膜阀设计多达100多种，以下仅为例举，也可按照用户实际需求定制，
我们设计死区方案遵循 $\leq 1D$ 为原则。

As design of multi-port diaphragm valve more than 100 types, below only for example, also
can be customized according to customer's request, the design scheme according to dead
zone $\leq 1D$.

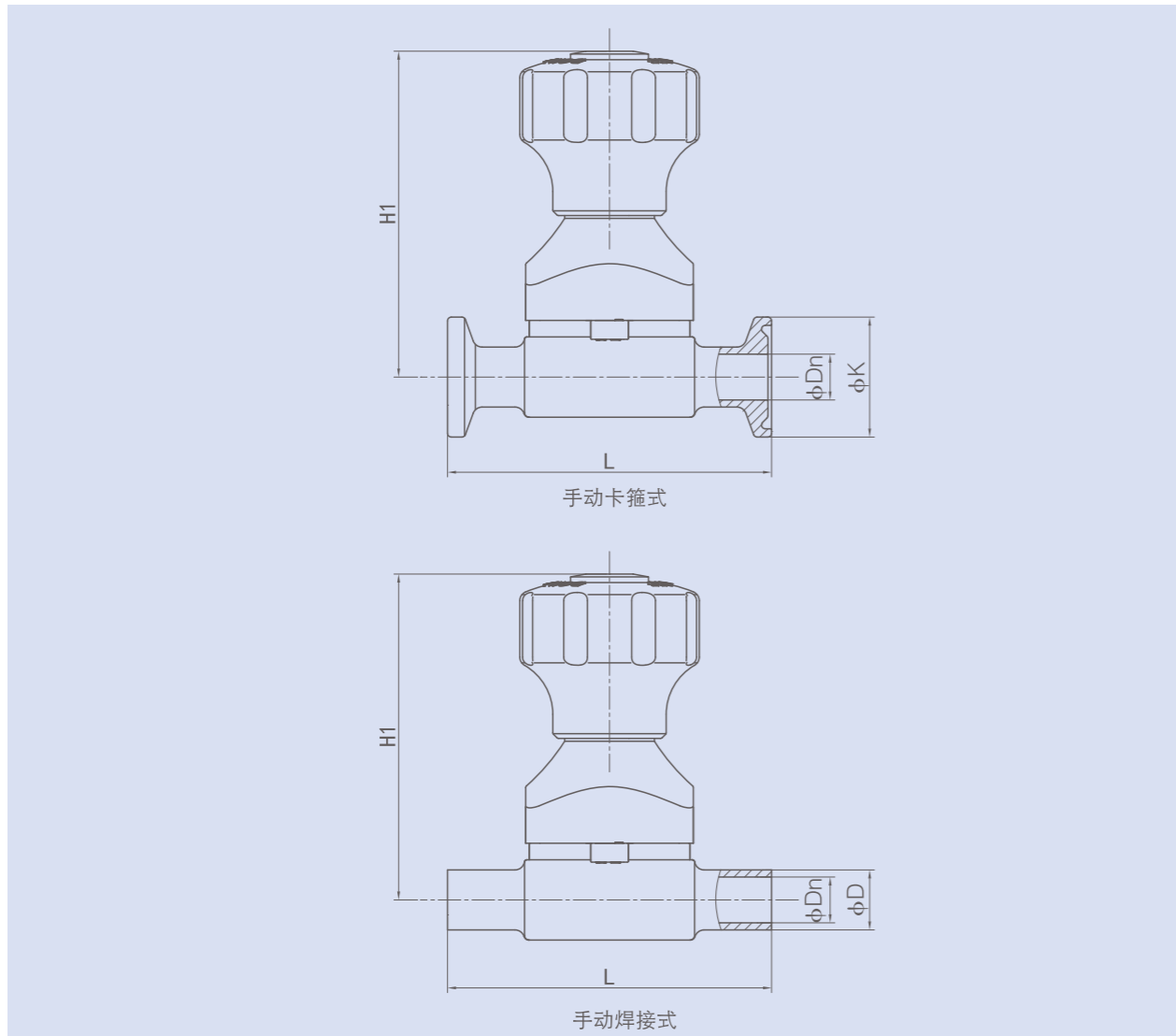
GM-GD type

罐底隔膜阀
Tank bottom diaphragm valve



隔膜阀 Diaphragm valve

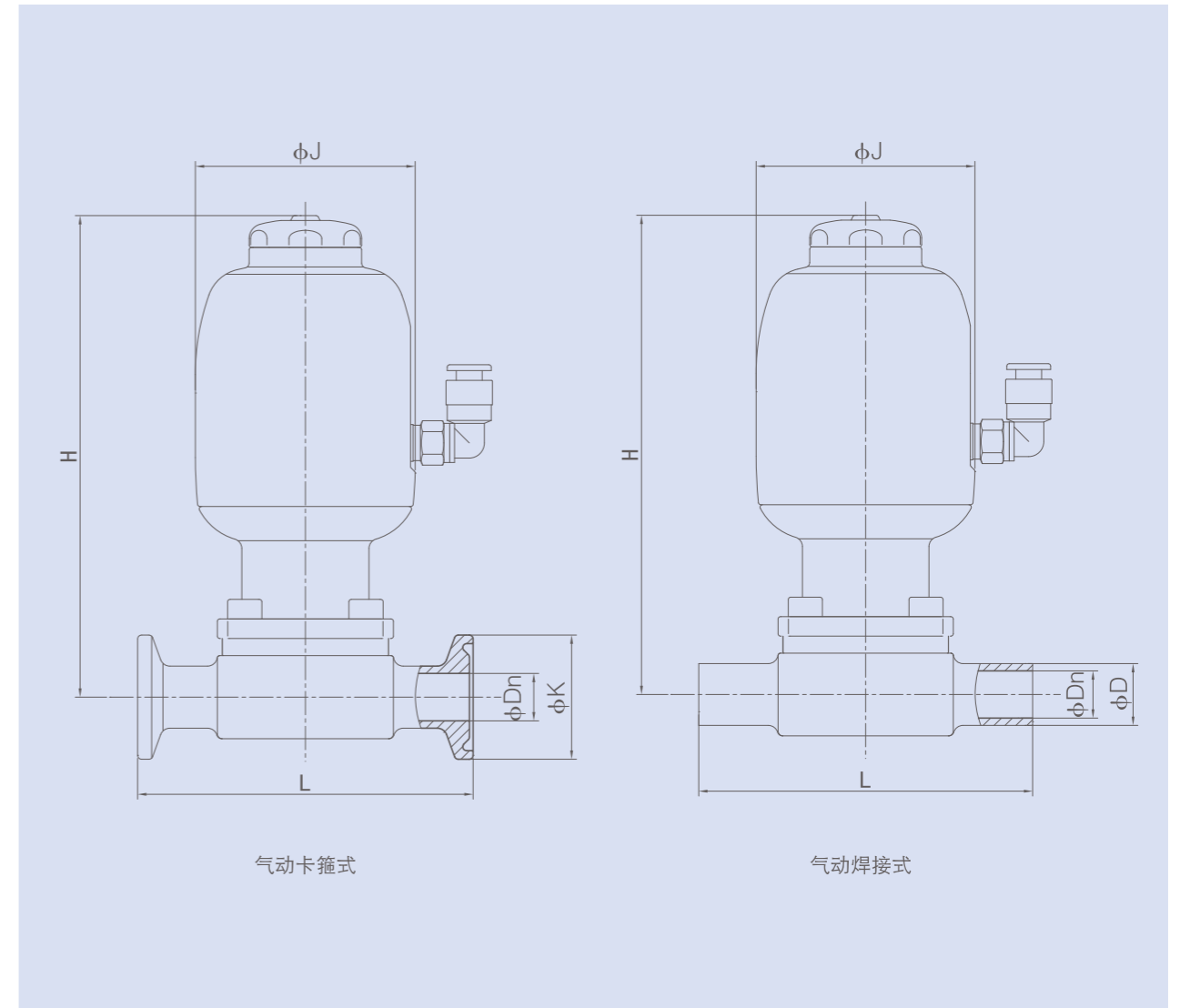
2017款微型隔膜阀数据图



DIN32676/DIN11850						ASME BPE/ASTM 269					
规格	D	Dn	K	L	H1	规格	D	Dn	K	L	H1
DN6	8	6	34	68.6	69	1/4"	6.35	4.57	25	68.6	69
DN8	10	8	34	68.6	69	3/8"	9.53	7.75	25	68.6	69
DN10	12/13	9/10	34	68.6	69	1/2"	12.7	9.4	25	68.6	69
DN15	18/19	15/16	34	85	70	3/4"	19.05	15.75	25/50.5	85	70

注意：以上数据图相关尺寸不作为实物最终依据，东正保留对于数据更新权限不再另行通知。
Note: The relevant dimensions of the above data diagrams are not regarded as the final basis of the actual object. Dongzheng reserves the right to update the data without further notice.

2017款微型隔膜阀数据图

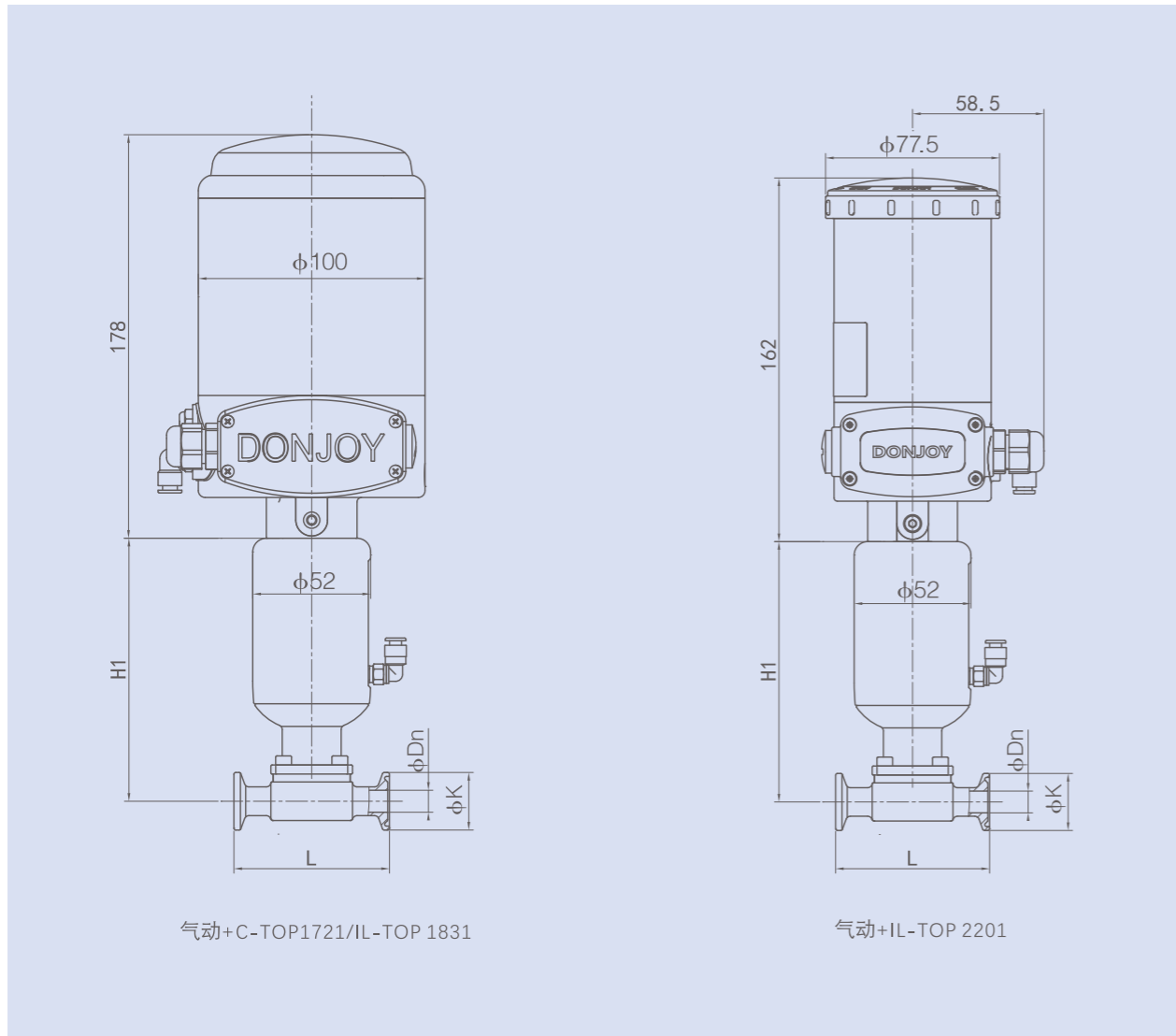


DIN32676/DIN11850							ASME BPE/ASTM 269						
规格	D	Dn	K	J	H	L	规格	D	Dn	K	J	H	L
DN6	8	6	34	45	95.5	68.6	1/4"	6.35	4.57	25	45	95.5	68.6
DN8	10	8	34	45	97	68.6	3/8"	9.53	7.75	25	45	97	68.6
DN10	12/13	9/10	34	45	98.5	68.6	1/2"	12.7	9.4	25	45	98.5	68.6
DN15	18/19	15/16	34	52	105.5	85	3/4"	19.05	15.75	25/50.5	52	105.5	85

注意：以上数据图相关尺寸不作为实物最终依据，东正保留对于数据更新权限不再另行通知。
Note: The relevant dimensions of the above data diagrams are not regarded as the final basis of the actual object. Dongzheng reserves the right to update the data without further notice.

隔膜阀 Diaphragm valve

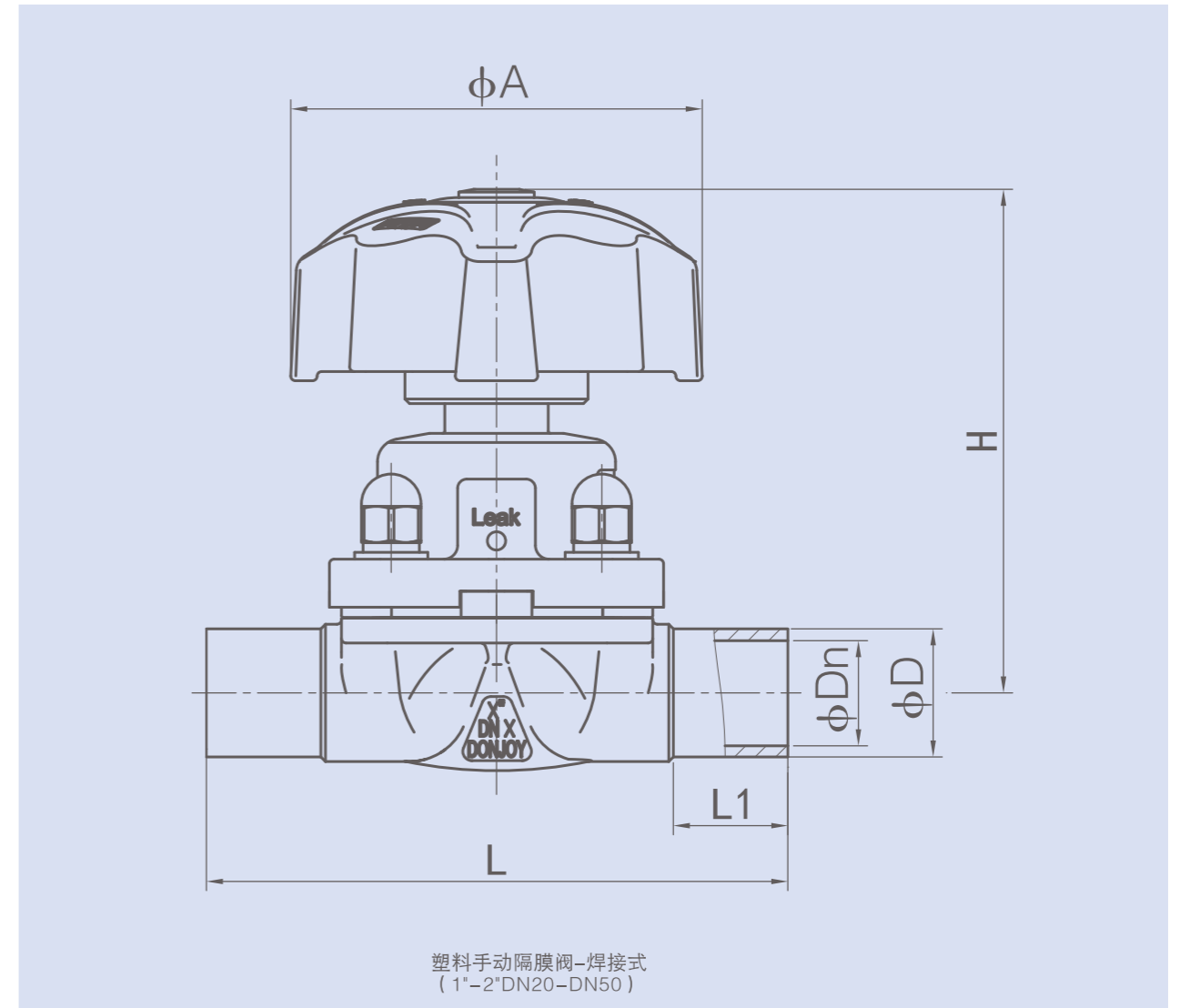
2017款微型隔膜阀数据图(气动+控制器)



DIN32676/DIN11850					ASME BPE/ASTM 269				
规格	Dn	K	L	H1	规格	Dn	K	L	H1
DN6	6	34	68.6	113	1/4"	4.57	25	68.6	113
DN8	8	34	68.6	114.5	3/8"	7.75	25	68.6	114.5
DN10	9/10	34	68.6	116	1/2"	9.4	25	68.6	116
DN15	15/16	34	85	119	3/4"	15.75	25/50.5	85	119

注意：以上数据图相关尺寸不作为实物最终依据，东正保留对于数据更新权限不再另行通知。
Note: The relevant dimensions of the above data diagrams are not regarded as the final basis of the actual object. Dongzheng reserves the right to update the data without further notice.

手动隔膜阀数据图 (塑料手轮)

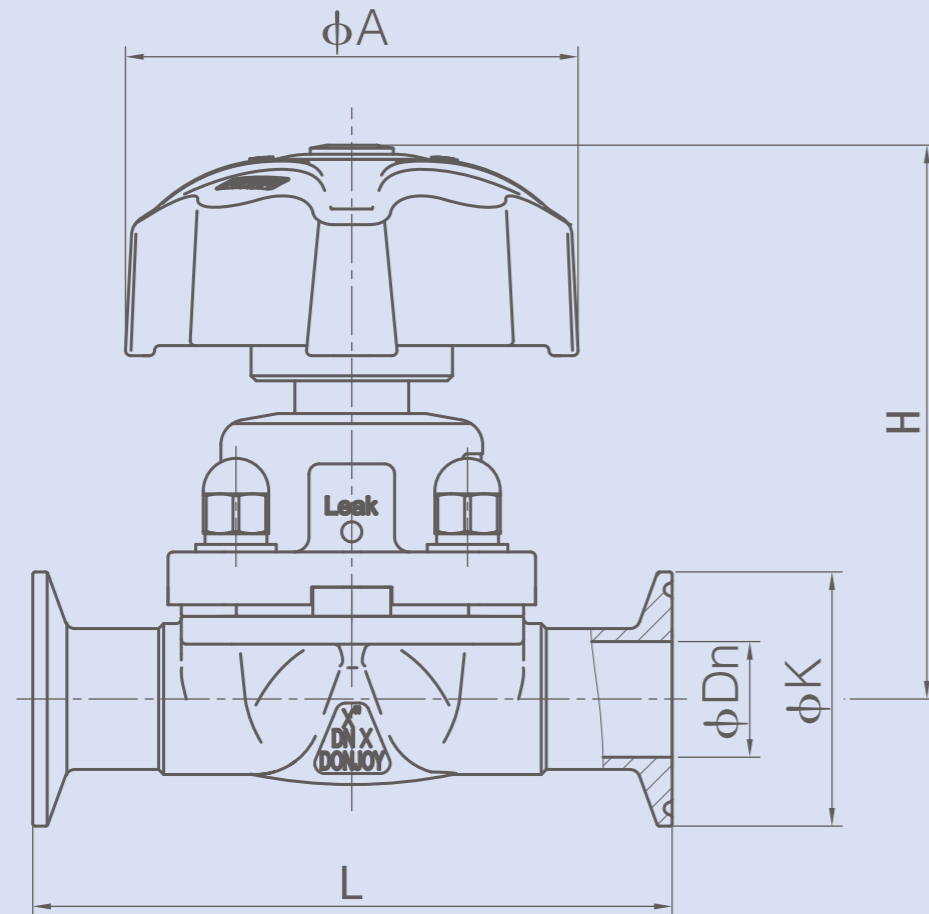


ASME BPE/ASTM 269							
规格	D	Dn	K	L	L1	A	H
1"	25.4	22.1	50.5	127	25	90	120
1 1/4"	31.8	28.8	50.5	146	25	112	133
1 1/2"	38.1	34.8	50.5	159	25	112	136
2"	50.8	47.5	64	190	30	112	163

注意：以上数据图相关尺寸不作为实物最终依据，东正保留对于数据更新权限不再另行通知。
Note: The relevant dimensions of the above data diagrams are not regarded as the final basis of the actual object. Dongzheng reserves the right to update the data without further notice.

隔膜阀 Diaphragm valve

手动隔膜阀数据图 (塑料手轮)



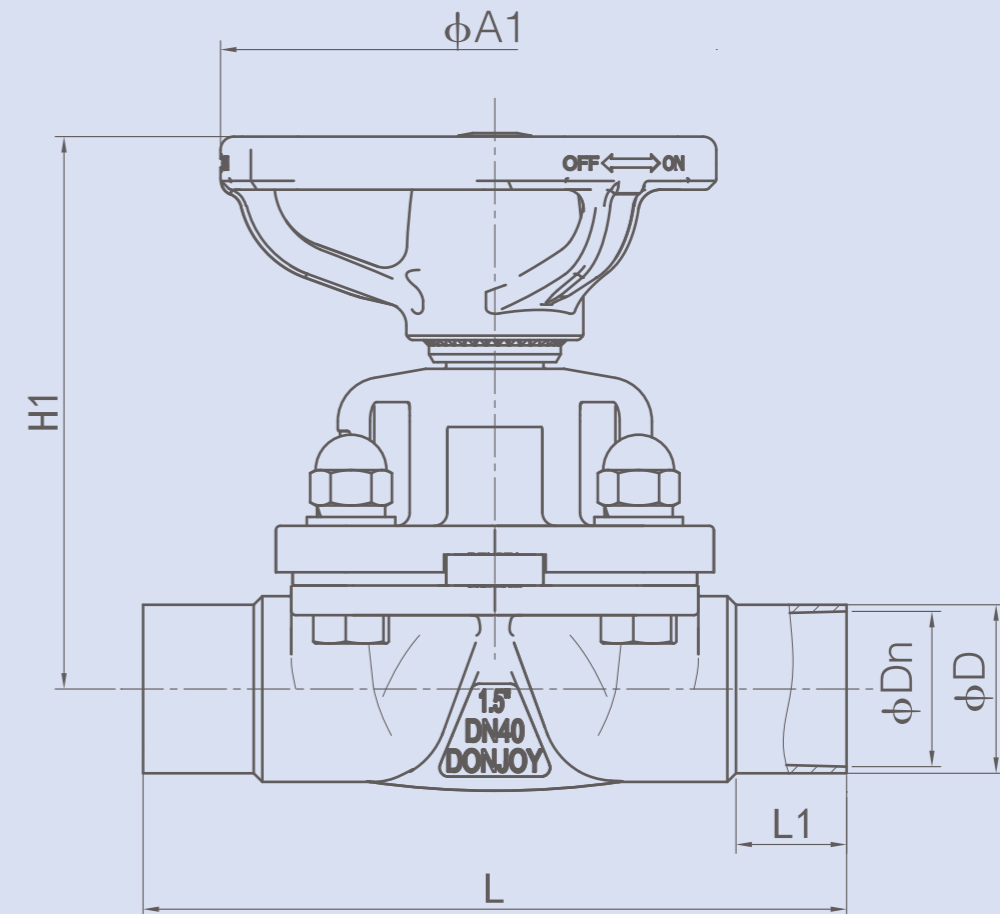
塑料手动隔膜阀-卡箍式
(1"-2"DN20-DN50)

DIN32676/DIN11850

规格	D	Dn	K	L	L1	A	H
DN20	22	19	34	117	22	90	118
DN25	28	25	50.5	127	25	90	120
DN32	34	31	50.5	146	25	112	133
DN40	40	37	50.5	159	25	112	136
DN50	52	49	64	190	30	112	163

注意：以上数据图相关尺寸不作为实物最终依据，东正保留对于数据更新权限不再另行通知。
Note: The relevant dimensions of the above data diagrams are not regarded as the final basis of the actual object. Dongzheng reserves the right to update the data without further notice.

手动隔膜阀数据图 (不锈钢手轮)



不锈钢手动隔膜阀-焊接式
(1"-2"/DN20-DN50)

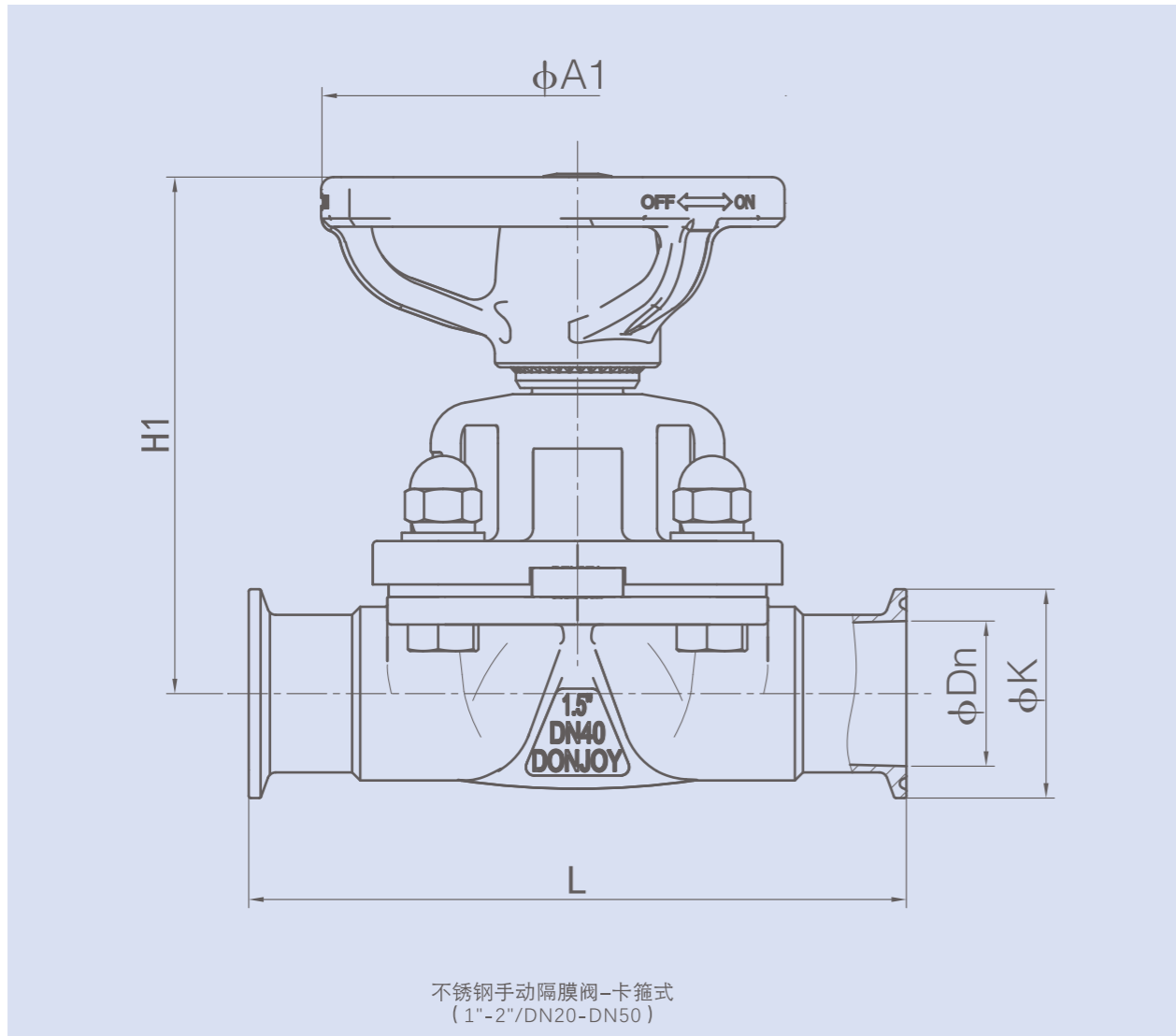
ASME BPE/ASTM 269

规格	D	Dn	K	L	L1	A1	H
1"	25.4	22.1	50.5	127	25	100	120
1 1/4"	31.8	28.8	50.5	146	25	124	133
1 1/2"	38.1	34.8	50.5	159	25	124	136
2"	50.8	47.5	64	190	30	124	163

注意：以上数据图相关尺寸不作为实物最终依据，东正保留对于数据更新权限不再另行通知。
Note: The relevant dimensions of the above data diagrams are not regarded as the final basis of the actual object. Dongzheng reserves the right to update the data without further notice.

隔膜阀 Diaphragm valve

手动隔膜阀数据图 (不锈钢手轮)

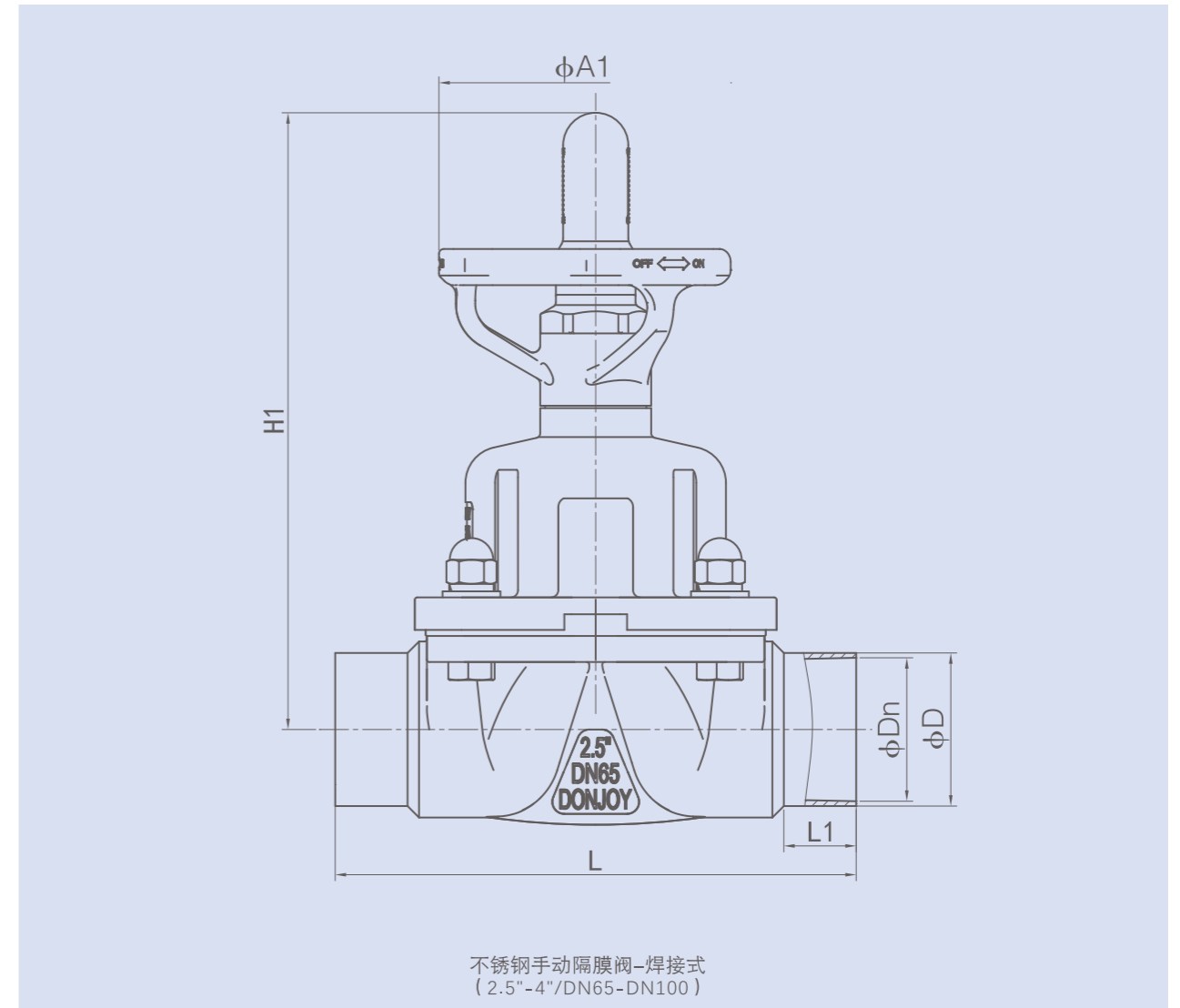


DIN32676/DIN11850

规格	D	Dn	K	L	L1	A1	H
DN20	22	19	34	117	22	100	118
DN25	28	25	50.5	127	25	100	120
DN32	34	31	50.5	146	25	124	133
DN40	40	37	50.5	159	25	124	136
DN50	52	49	64	190	30	124	163

注意：以上数据图相关尺寸不作为实物最终依据，东正保留对于数据更新权限不再另行通知。
Note: The relevant dimensions of the above data diagrams are not regarded as the final basis of the actual object. Dongzheng reserves the right to update the data without further notice.

手动隔膜阀数据图 (不锈钢手轮)



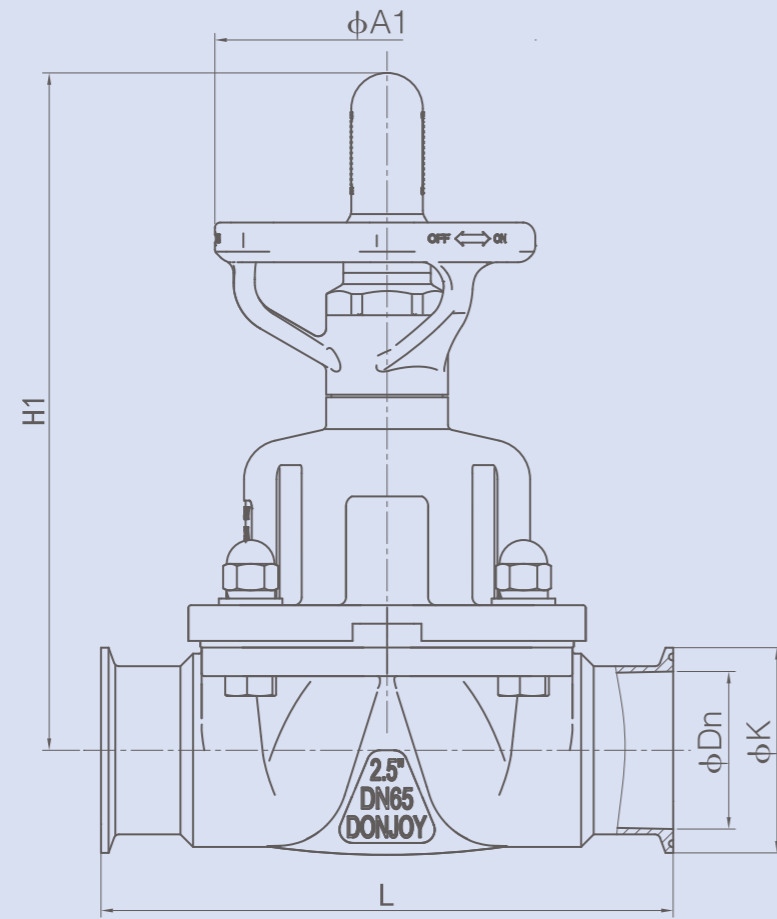
ASME BPE/ASTM 269

规格	D	Dn	K	L	L1	A1	H
2 1/2"	63.5	59.5	77.5	216	30	130	254
3"	76.2	72.2	91	254	30	130	257
3 1/2"	89	85	106	254	30	130	264
4"	101.6	97.6	119	305	30	190	350

注意：以上数据图相关尺寸不作为实物最终依据，东正保留对于数据更新权限不再另行通知。
Note: The relevant dimensions of the above data diagrams are not regarded as the final basis of the actual object. Dongzheng reserves the right to update the data without further notice.

隔膜阀 Diaphragm valve

手动隔膜阀数据图 (不锈钢手轮)



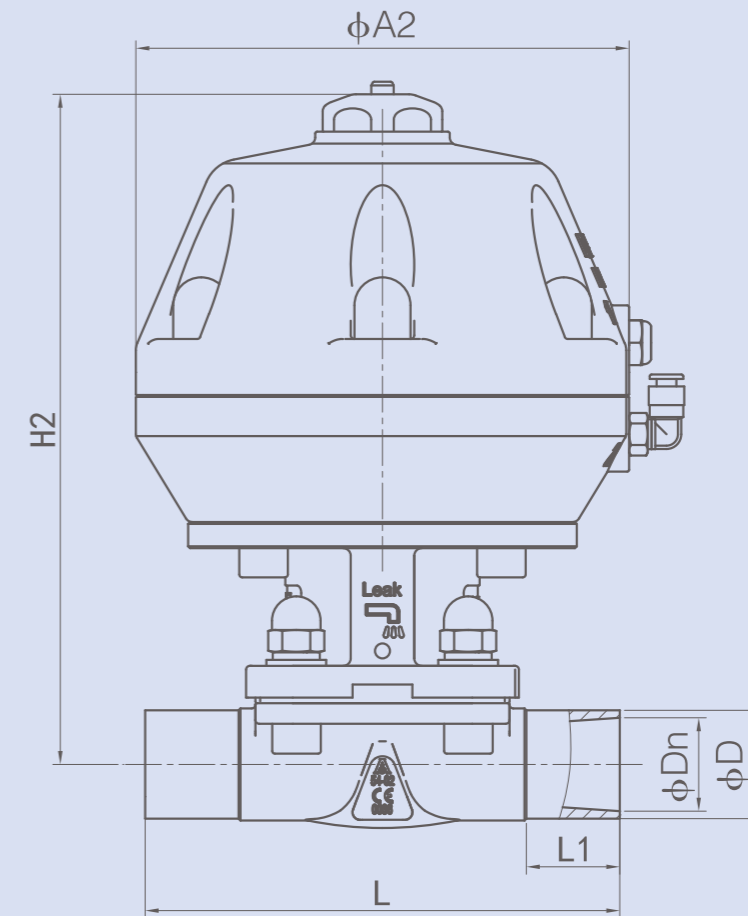
不锈钢手动隔膜阀-卡箍式
(2.5"-4"/DN65-DN100)

DIN32676/DIN11850

规格	D	Dn	K	L	L1	A1	H
DN65	70	66	91	216	30	130	254
DN80	85	81	106	254	30	130	257
DN100	104	100	119	305	30	130	350

注意：以上数据图相关尺寸不作为实物最终依据，东正保留对于数据更新权限不再另行通知。
Note: The relevant dimensions of the above data diagrams are not regarded as the final basis of the actual object. Dongzheng reserves the right to update the data without further notice.

气动隔膜阀数据图 (塑料执行器-常闭)



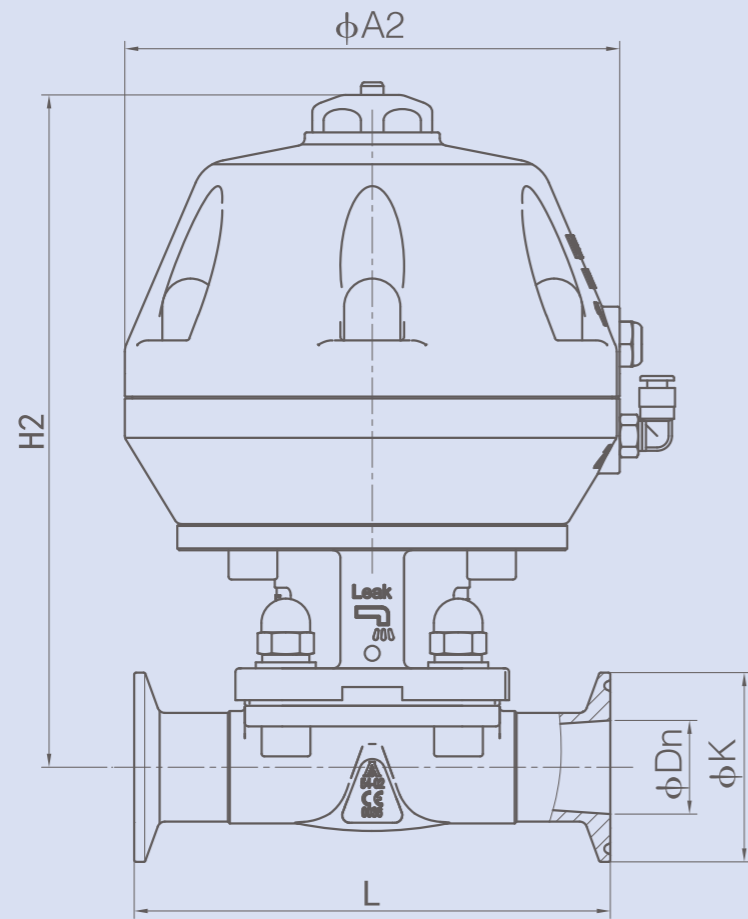
塑料气动隔膜阀-焊接式
(单作用-常闭)

ASME BPE/ASTM 269

规格	D	Dn	K	L	L1	A2	H2
1"	25.4	22.1	50.5	127	25	132	178
1 1/4"	31.8	28.1	50.5	146	25	162	228
1 1/2"	38.1	34.8	50.5	159	25	162	231
2"	50.8	47.5	64	190	30	162	245
2 1/2"	63.5	59.5	77.5	216	30	235	258
3"	76.2	72.2	91	254	30	235	260
3 1/2"	89	85	106	254	30	235	267
4"	101.6	97.4	119	305	30	235	298

隔膜阀 Diaphragm valve

气动隔膜阀数据图 (塑料执行器-常闭)

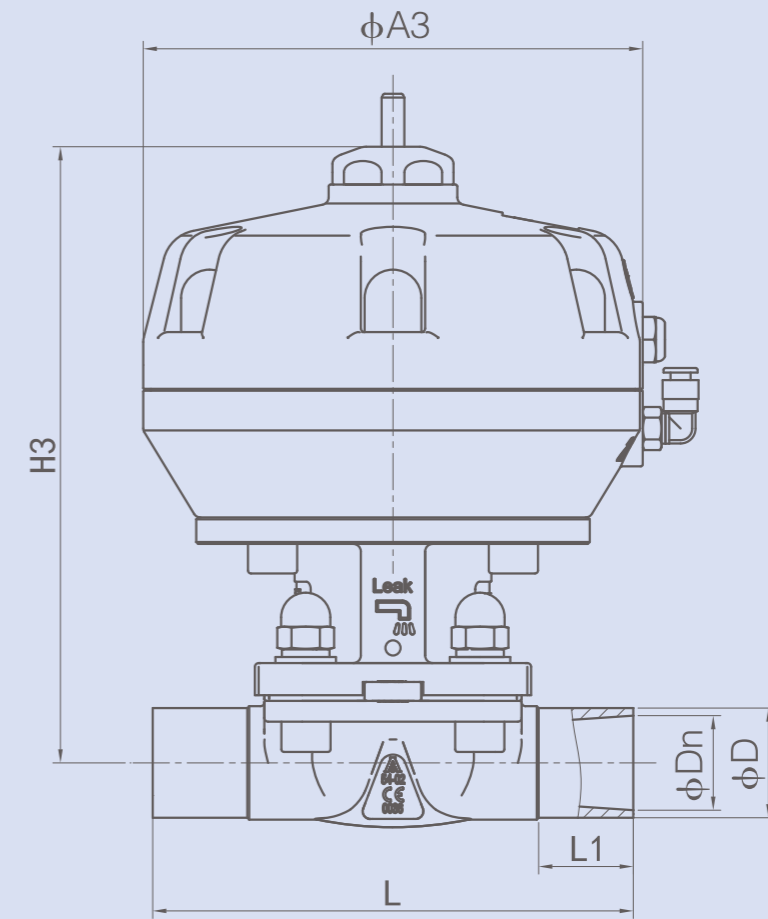


塑料气动隔膜阀-卡箍式
(单作用-常闭)

DIN32676/DIN11850

规格	D	Dn	K	L	L1	A2	H2
DN20	22	19	34	117	22	132	176
DN25	28	25	50.5	127	25	162	178
DN32	34	31	50.5	146	25	162	228
DN40	40	37	50.5	159	25	162	231
DN50	52	49	64	190	30	235	245
DN65	70	66	91	216	30	235	258
DN80	85	81	106	254	30	235	260
DN100	104	100	119	305	30	235	298

气动隔膜阀数据图 (塑料执行器-常开/双作用)



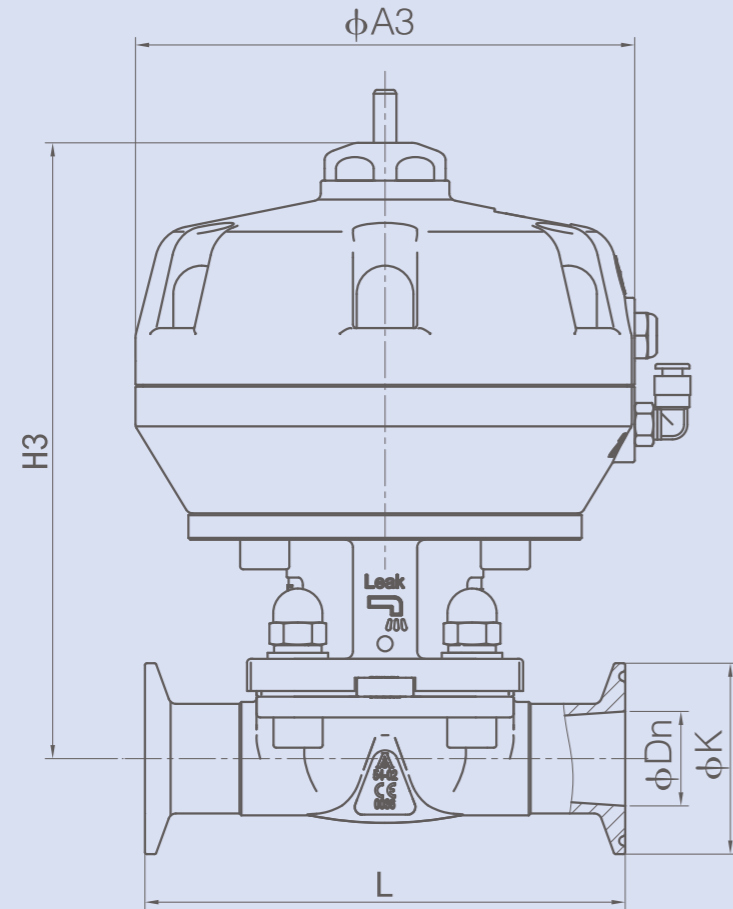
塑料气动隔膜阀-焊接式
(单作用-常开/双作用)

ASME BPE/ASTM 269

规格	D	Dn	K	L	L1	A3	H3
1"	25.4	22.1	50.5	127	25	132	162
1 1/4"	31.8	28.1	50.5	146	25	162	197
1 1/2"	38.1	34.8	50.5	159	25	162	200
2"	50.8	47.5	64	190	30	162	213
2 1/2"	63.5	59.5	77.5	216	30	235	258
3"	76.2	72.2	91	254	30	235	260
3 1/2"	89	85	106	254	30	235	267
4"	101.6	97.4	119	305	30	235	298

隔膜阀 Diaphragm valve

气动隔膜阀数据图 (塑料执行器-常开/双作用)

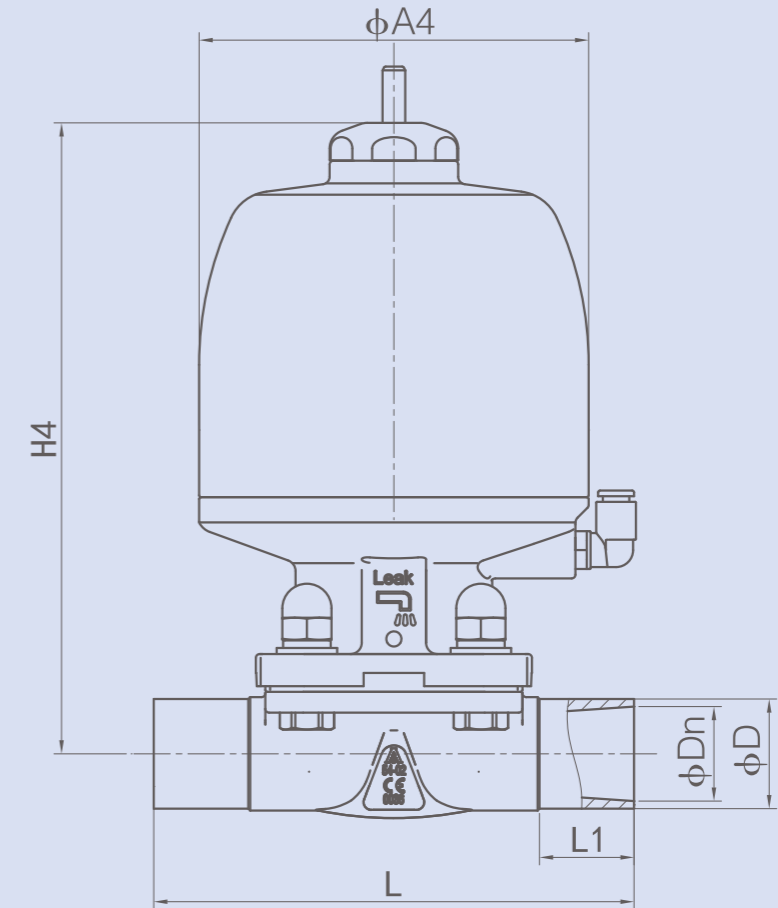


塑料气动隔膜阀-卡箍式
(单作用-常开/双作用)

DIN32676/DIN11850

规格	D	Dn	K	L	L1	A3	H3
DN20	22	19	34	117	22	132	160
DN25	28	25	50.5	127	25	162	162
DN32	34	31	50.5	146	25	162	197
DN40	40	37	50.5	159	25	162	200
DN50	52	49	64	190	30	235	213
DN65	70	66	91	216	30	235	258
DN80	85	81	106	254	30	235	260
DN100	104	100	119	305	30	235	298

气动隔膜阀数据图 (不锈钢气动执行器)



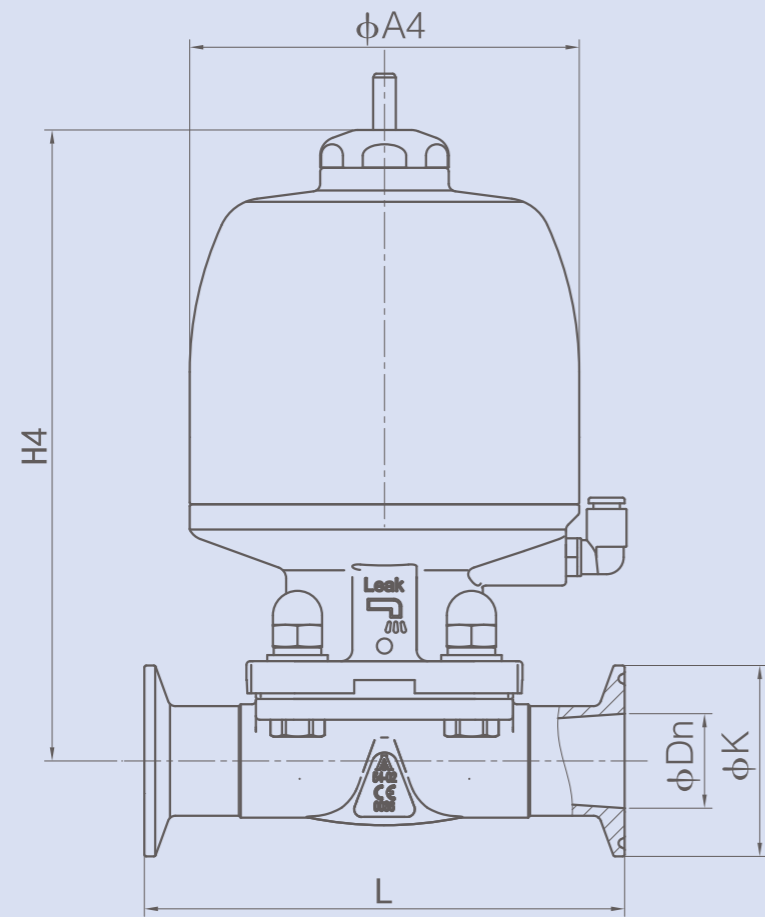
不锈钢气动隔膜阀-焊接式

ASME BPE/ASTM 269

规格	D	Dn	K	L	L1	A4	H4
1"	25.4	22.1	50.5	127	25	103	167
1 1/4"	31.8	28.1	50.5	146	25	129	208
1 1/2"	38.1	34.8	50.5	159	25	129	211
2"	50.8	47.5	64	190	30	129	225
2 1/2"	63.5	59.5	77.5	216	30	177	225
3"	76.2	72.2	91	254	30	177	228
3 1/2"	89	85	106	254	30	177	235
4"	101.6	97.4	119	305	30	224	315

隔膜阀 Diaphragm valve

气动隔膜阀数据图 (不锈钢气动执行器)

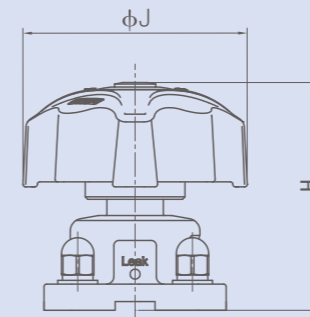


不锈钢气动隔膜阀-卡箍式

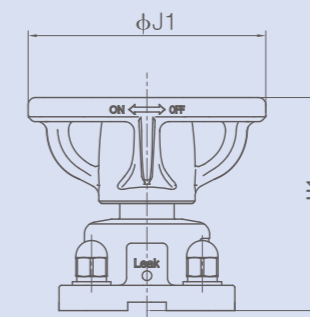
DIN32676/DIN11850

规格	D	Dn	K	L	L1	A4	H4
DN20	22	19	34	117	22	103	163
DN25	28	25	50.5	127	25	103	165
DN32	34	31	50.5	146	25	129	208
DN40	40	37	50.5	159	25	129	211
DN50	52	49	64	190	30	129	225
DN65	70	66	91	216	30	177	225
DN80	85	81	106	254	30	177	228
DN100	104	100	119	305	30	224	315

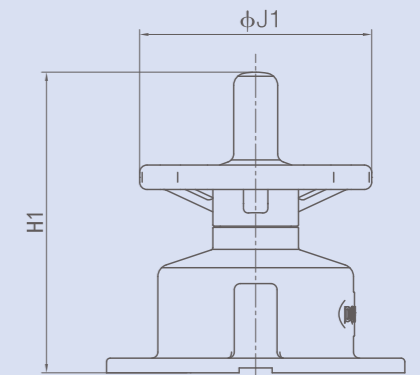
隔膜阀系列-执行机构



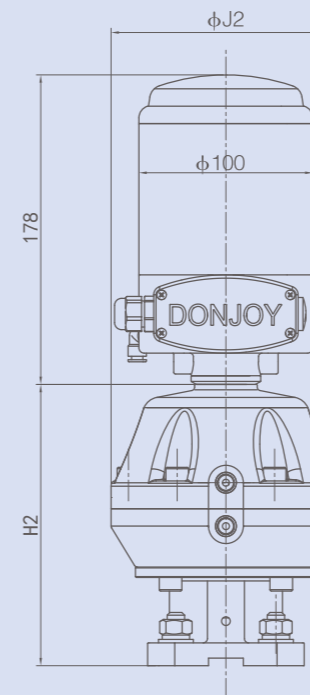
塑料手轮
(1"-2"/DN20-DN50)
NO.VGMOS2



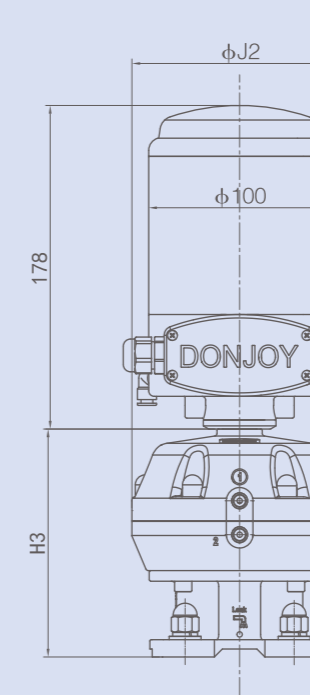
不锈钢手轮
(1"-2"/DN25-DN50)
NO.VGMOS1



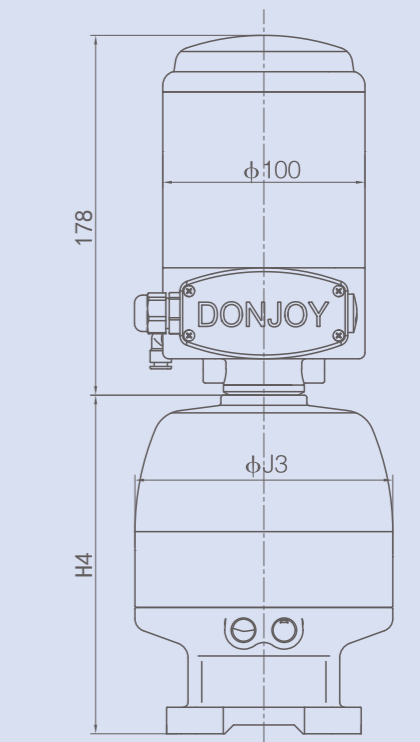
不锈钢手轮
(2.5"-4"/DN65-DN100)
NO.VGMOS3



塑料气动 (单作用)+定位器
(1"-4"/DN20-DN100)
NO.VGM2Q2



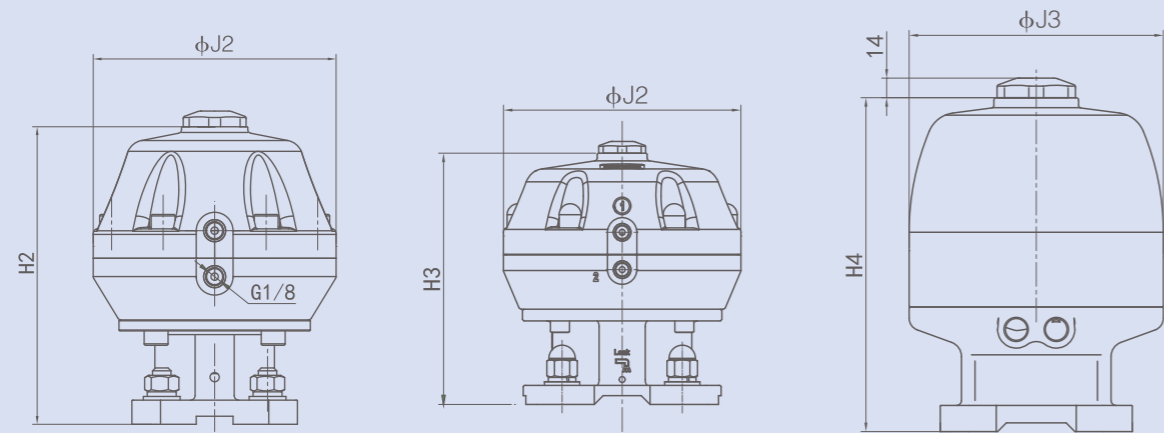
塑料气动 (双作用)+定位器
(1"-4"/DN20-DN100)
NO.VGM2Q3



不锈钢气动+定位器
(1"-4"/DN20-DN100)
NO.VGM2Q1

隔膜阀 Diaphragm valve

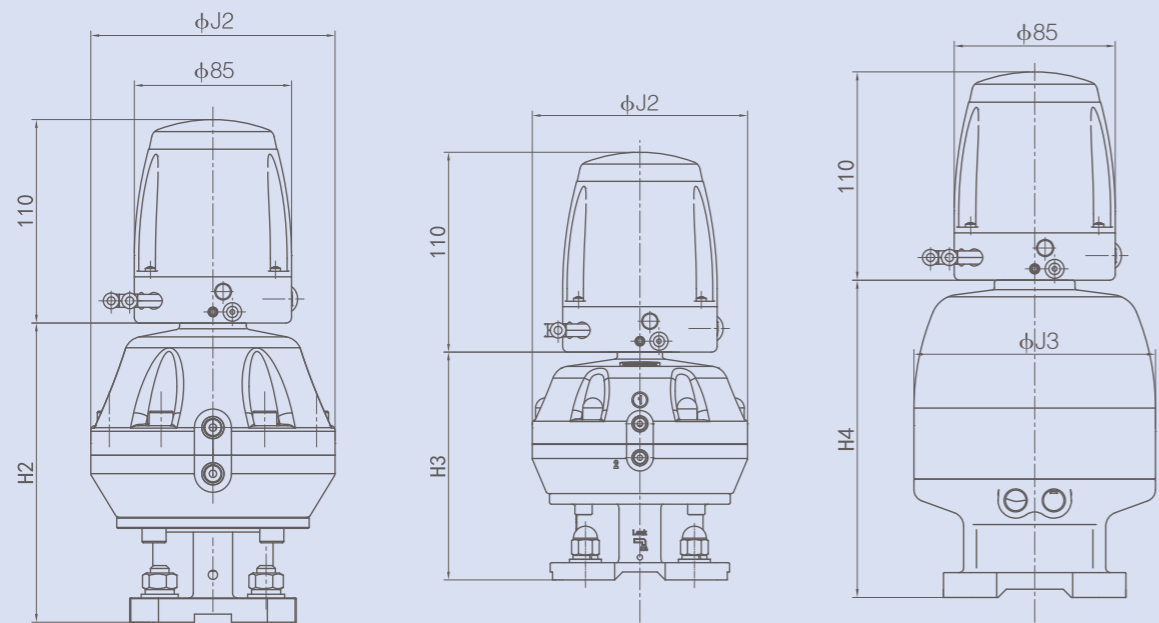
隔膜阀系列-执行机构



塑料气动 (单作用-常闭)
(1"-4"/DN65-DN100)
NO.VGMOQ2

塑料气动 (单作用-常开/双作用)
(1"-4"/DN20-DN100)
NO.VGMOQ3

不锈钢气动
(1"-4"/DN20-DN100)
NO.VGMOQ1



塑料气动 (单作用)+MINI C-TOP
(1"-4"/DN20-DN100)
NO.VGM4Q2

塑料气动 (双作用)+MINI C-TOP
(1"-4"/DN20-DN100)
NO.VGM2Q3

不锈钢气动+MINI C-TOP
(1"-4"/DN20-DN100)
NO.VGM4Q1

隔膜阀系列-执行机构数据表

DIN32676/DIN11850-1/2

规格	J	J1	J2	J3	H	H1	H2	H3	H4
DN20	90	100	132	103	101	101	160	143	147
DN25	90	100	132	103	101	101	160	143	147
DN32	114	124	162	129	110	110	204	173	184
DN40	114	124	162	129	110	110	204	173	184
DN50	114	124	162	129	131	131	211	180	191
DN65	/	130	235	177	/	213	216	216	183
DN80	/	130	235	177	/	213	216	216	183
DN100	/	190	235	224	/	284	216	216	249

ASME BPE/ASTM 269

规格	J	J1	J2	J3	H	H1	H2	H3	H4
1"	90	100	132	103	101	101	160	143	147
1 1/4"	114	124	162	129	110	110	204	173	184
1 1/2"	114	124	162	129	110	110	204	173	184
2"	114	124	162	129	131	131	211	180	191
2 1/2"	/	130	235	177	/	213	216	216	183
3"	/	130	235	177	/	213	216	216	183
4"	/	190	235	224	/	284	216	216	249

ISO1127

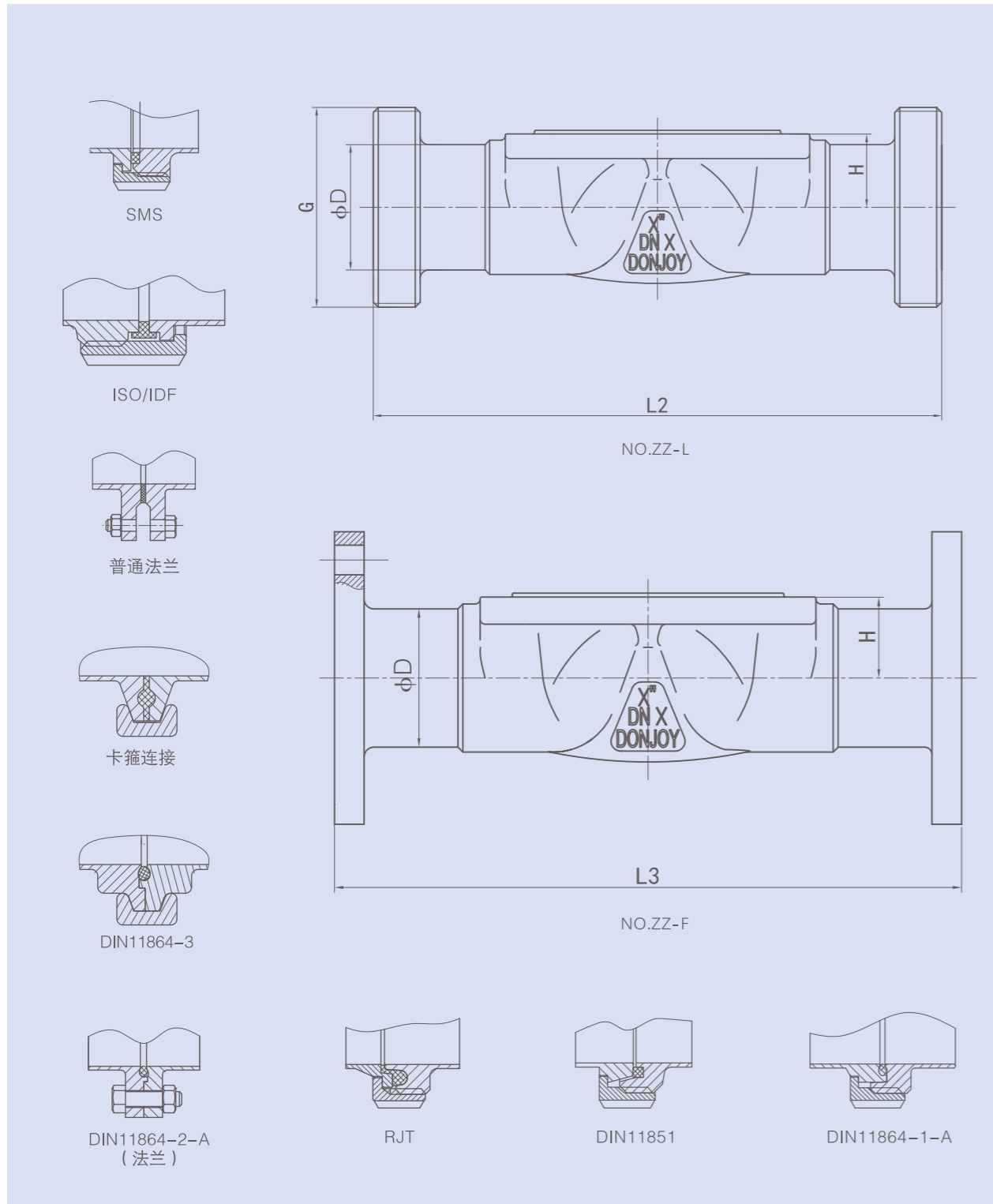
规格	J	J1	J2	J3	H	H1	H2	H3	H4
26.9	90	100	132	103	101	101	160	143	147
33.7	114	124	162	129	110	110	204	173	184
42.4	114	124	162	129	131	131	211	173	191
48.3	114	124	162	129	131	131	211	180	191
60.3	/	130	235	177	/	213	216	216	183
76.2	/	130	235	177	/	213	216	216	183



注意：以上数据图相关尺寸不作为实物最终依据，东正保留对于数据更新权限不再另行通知。
Note: The relevant dimensions of the above data diagrams are not regarded as the final basis of the actual object. Dongzheng reserves the right to update the data without further notice.

隔膜阀 Diaphragm valve

螺纹/法兰阀体



隔膜阀系列-执行机构数据表

规格	D		H	L2	L3	G	
	1	2				DIN11851	DNI11864-1-A
DN20	22	23	17.2	117	117	RD44X1/6	RD44X1/6
DN25	28	29	17.2	127	127	RD52X1/6	RD52X1/6
DN32	34	35	21.2	146	146	RD58X1/6	RD58X1/6
DN40	40	41	24.2	159	159	RD65X1/6	RD65X1/6
DN50	52	53	31.5	190	190	RD78X1/6	RD78X1/6
DN65	70	/	40	216	216	RD95X1/6	RD95X1/6
DN80	85	/	50	254	254	RD110X1/4	RD110X1/4
DN100	104	/	58	305	305	RD130X1/4	RD130X1/4

规格	D	H	L2	L3	G		
					SMS	ISO/IDF(TACME)	RJT(TPIWHIT)
1"	25.4	17.2	127	127	RD40X1/6	37.1X8	45.7X8
1 1/4"	31.8	21.2	146	146	RD48X1/6	/	/
1 1/2"	38.1	24.2	159	159	RD60X1/6	50.6X8	58.4X8
2"	50.8	31.5	190	190	RD70X1/6	64.1X8	72.7X6
2 1/2"	63.5	40	216	216	RD85X1/6	77.7X8	85.4X6
3"	76.2	43	254	254	RD98X1/6	91.2X8	98.1X6
4"-S	101.6	58	305	305	RD125X1/4	118.4X8	123.5X6
4"-L	101.6	58	305	305	RD132X1/4	125.9X6	123.5X6

注：在SMS标准中，图中4"-S表示 $\phi 102$ 小，4"-L表示 $\phi 102$ 大；在ISO/IDF标准中，图中4"-S表示ISO，4"-L表示IDF



注意：以上数据图相关尺寸不作为实物最终依据，东正保留对于数据更新权限不再另行通知。
Note: The relevant dimensions of the above data diagrams are not regarded as the final basis of the actual object. Dongzheng reserves the right to update the data without further notice.