

DONJOY looking forward to your visit! Your telecommunications!



东正科技有限公司
DONJOY TECHNOLOGY CO.,LTD.

地址: 温州空港新区港富路25号
总机: 0577-86990888
传真: 0577-86998000

Add: No.25 Gang fu Road, konggang
new District, Longwan Wenzhou, China
Tel: +86-577-86990888
Fax: +86-577-86998000
E-mail: donjoy@cndonjoy.com

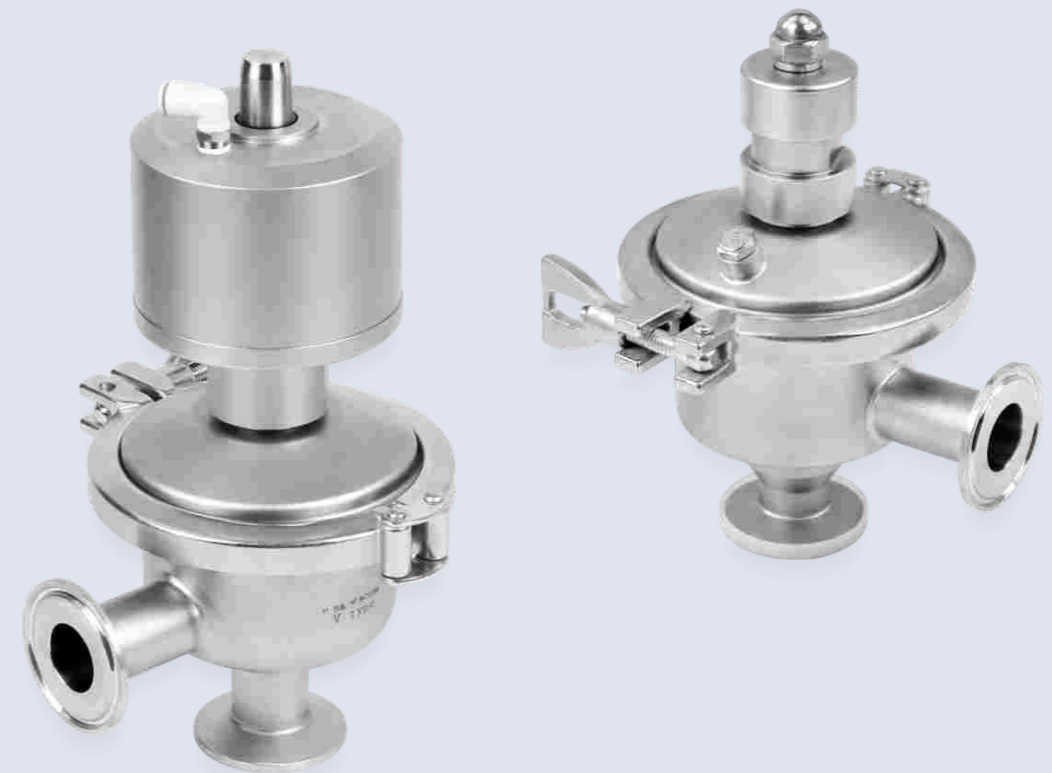
www.cndonjoy.com

法律声明:
目录样册版权归东正所有, 如有抄袭, 必将追究其法律责任和经济赔偿。
东正已获得国家版权局书刊号。东正诸多产品技术, 都具有专利保护, 如有抄袭,
必将追究法律责任和经济赔偿。

Legal statement:
Copyright of the catalogue belongs to Donjoy. If there is plagiarism,
it will be investigated for legal responsibility and economic compensation.
Donjoy has been granted publications number by China's National Copyright.
Donjoy products and technology with patent protection,
If there is plagiarism, it will be investigated for legal responsibility
and economic compensation.

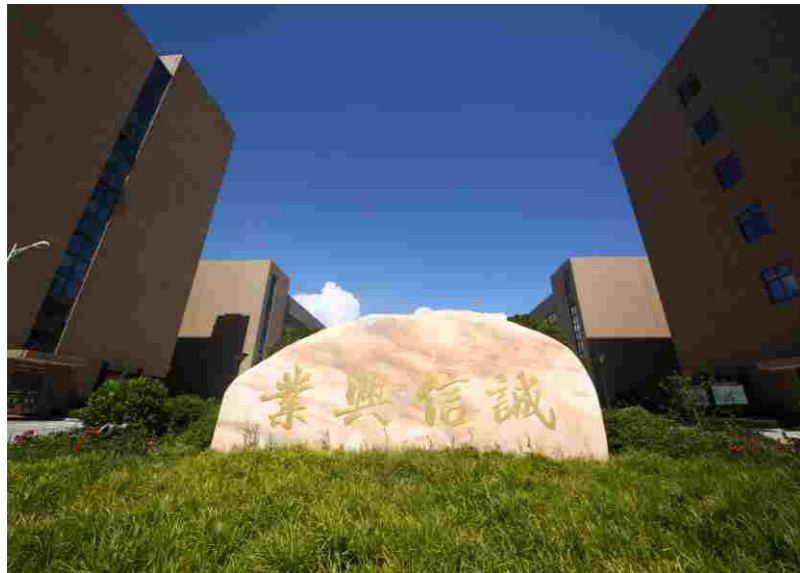
Constant Pressure valve

09-2 / 恒压阀 智能制造



国家高新技术企业 专精特新企业

Advantages



30 YEARS

30年的阀门研发与制造
More than 30 years valve and pump R&d and Manufacturing

23 YEARS

23年的高洁净泵研发与制造
More than 23 years high purity pump R&d and Manufacturing

18 YEARS

18年的阀门控制器研发与制造
More than 18 years valve controller R&d and Manufacturing

15 YEARS

15年的清洗技术研发与制造
More than 15 years Cleaning technology R&d and Manufacturing

300

300多人的专业团队
A profession team of over 300 people

200

200多项知识产权
More than 200 intellectual property rights

30

30多项国际权威认证
More than 30 international authoritative certifications

20

20多项国家与省级荣誉
More than 20 national and provincial honors certificates

超过10年研发经验
工程师队伍
We have more than 10 years experienced engineer team in R & D.

日本Mazak
CNC复合型加工中心
CNC切削中心
CNC车床
Japan Mazak
CNC compound machining center
CNC cutting center
CNC lathe

发那科《Fanuc》
全自动机器人生产线
《Fanuc》 Automatic robot production line

高新技术企业、
省著名商标、
主任质量奖、4项发明、
200余项专利
New high-tech enterprise.
Provincial famous trademark.
Director's Quality Award.4 inventions
More than 200 patents

欧盟CE
美国3-A, FDA
中国特种制造许可证 TS
防爆认证ATEX CNEX
European Union CE certificate
USA 3-A, FDA
China Special Manufacturing License TS
ATEX CNEX

我们能为你提供
定制化技术服务和制造,
OEM ODM
We can provide
you OEM & ODM service

领先的检测手段,
30多台专业检测设备和
50多种检测方法, 确保
每个产品性能和精度
Advanced detection method.
More than 30 pcs professional testing equipment. More than 50 inspection ways, insure product performance and accuracy



30 YEARS

30年洁净领域的专注
30 years of focus in the field of cleanliness

30 YEARS

30年工程应用经验与市场考验
30 years of engineering application experience and market test

三十而立正蕴含着新的力量，
未来我们将一如既往的致力于技术革新！
We Donjoy have established for 30 years, still full of
new energy, in the future we will stick to concentrate on
technology innovation

Introduction

东正创立于1993年，占地面积29000m²，注册资本1.0558亿元，员工300余人，技术团队30余人，200余项知识产权，国际权威认证30余项，国家与省级荣誉证书20余项，且拥有国际领先的加工技术和制造设备，如Mazak CNC四轴、五轴加工中心、复合型切削中心、FANUC机器人生产线以及各种国际领先的检测设备。

东正制造的产品远销全球并获得国内外用户高度好评，我们产品和技术涵盖高洁净泵、阀门控制技术、PID自控阀门、高洁净阀门、容器管道安全控制技术、容器清洗技术、容器管道照明技术、过滤技术以及高洁净管道和配件等。广泛应用于生物制药、食品饮料、酿酒、精细化工、日化洗涤、纺织印染、电池和新能源等工业领域。

Donjoy is founded in 1993, covers an area of 29,000 square meters, registered capital of 105.58 million yuan, we have more than 300 employees, we have more than 30 persons technical team, we have more than 200 intellectual property rights, we have more than 30 authoritative international certification, we have more than 20 national and provincial certifications, and has an international leader of first processing technology and manufacturing equipment, such as Mazak CNC four axis, five axis machining center, compound cutting center, FANUC robot production line and various international collar first detection equipment, etc.

The products manufactured by Donjoy are sold all over the world and are highly praised by domestic and overseas Products and technology cover high purity pump, valve control technology, PID automatic control valve, high purity valve, container pipeline safety control technology, container cleaning technology, container pipe road lighting technology, filtration technology and high purity pipes and accessories. Widely used in the biopharmaceuticals, food and beverage, wine, fine chemicals, daily chemical washing, textile printing and dyeing, battery and new energy and other industrial fields.



Certification

东正——拥有诸多的产品认证和各种资质其包含国家高新技术、专精特新、省著名商标、知名商号、科技型、创新型、专利示范、研发中心、AAA重合同守信用等各种国家省市级权威荣誉证书。

产品认证:

- 美国卫生认证: 3-A: 涵盖了90%的产品, 其包含各种形式阀门、泵系列等。FDA: 177.2600,177.1550, 其包含各种橡胶和PTFE及各种密封制品等。
- 欧盟安全认证: CE: 其涵盖了100%各种阀门和泵系列: PED/2014/68/EC, MD06/42/EC。ATEX: 6大系列其包含阀门定位器、阀门控制单元、阀门位置反馈器等。
- 特种制造许可证: 国家安全阀特种制造许可证: TSF33008-2019
- 卫生许可批件: 浙卫水字(2012)第0056号
- 防爆认证: Ex db IIC T6 Gb, Ex tb IIIC T80°C Db



Donjoy has many product certification qualifications, including national high-tech, Specialized and very new, provincial famous trademark, well-known trade name, technology-based, innovative, patent demonstration, R&D center, AAA contract and trustworthy and other national, provincial and municipal authoritative honorary certificates.

- Product certification:
- U.S. Sanitary Certification
 - 3-A: Covers 90% of products, including all kinds of valves, pump, etc.
 - FDA: 177.2600, 177.1550, containing various rubber, PTFE and other sealing products.
 - EU safety certification
 - ATEX: 6 major series, including valve positioner, valve control unit, valve position feedback device, etc.
 - Special manufacturing license: National safety valve special manufacturing license: TSF33008-2019
 - Sanitation license approval document: Zhewei Shuizi (2012) No. 0056
 - Flameproof certification: Ex db IIC T6 Gb, Ex tb IIIC T80°C Db

恒压阀 Constant pressure valve

AK-HY type



恒压阀分为进口管路压力稳定和出口管路压力稳定两种设计。我们设计严格按照美国-3-A-64-00的恒压阀具有无死角、无滞留、KV值曲线特性较好。

Constant pressure valves are divided into two designs: stable inlet pipeline pressure and stable outlet pipeline pressure. Our constant pressure valve designed strictly in accordance with the United States -3-A-64-00 has no dead ends, no retention, and better KV curve characteristics.



产品应用

- 该阀门是一种卫生型恒压阀，可适用于食品加工、饮料、制药等领域的管道系统上。
- 恒压设计有两种保持恒定压力的功能选择：
V型恒压阀：入口恒压(进口压力保持恒定)在阀门入口端保持一个恒压。该配置典型应用，分离器，热交换器等后部，作为溢流阀门的使用。
A型恒压阀：出口恒压在阀门出口端保持一个恒压。出口恒压配置典型应用，灌装机，装瓶机等设备前部。

技术特点

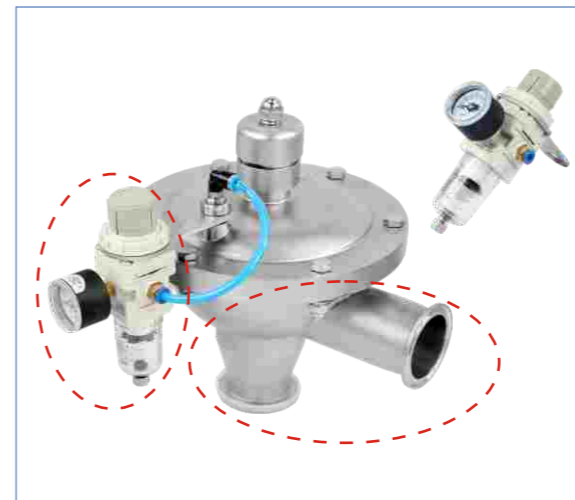
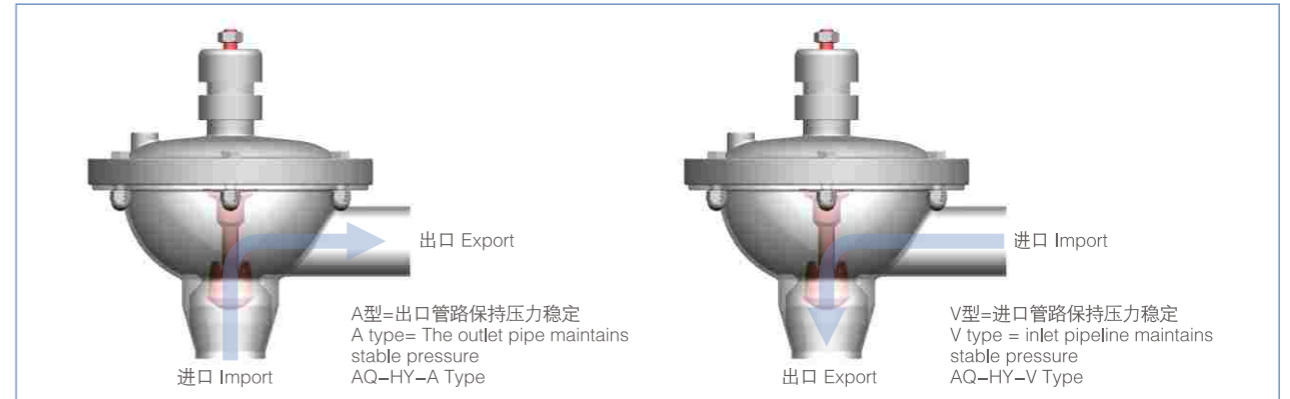
- 规格：1/2"-3", DN10-DN65
- 材质：316L/1.4404, ASME BPE 316L 1.4435 NB2 Fe≤0.5%
- 压力：真空~10bar(1.0 Mpa)
- 温度：-20°C 到 +150°C, 取决密封于材质
- 密封：EPDM+PTFE
- 连接标准：DIN SMS ISO IDF RJT BS4825 ASME BPE 3A DIN11864 DIN11853
- 连接方式：螺纹、卡箍、焊接、法兰
- 光洁度：Ra≤0.6 μm; MP=Ra≤0.3 μm; EP=Ra≤0.3 μm
- 认证：FDA 177.2600; 3A-64-00; Glass II USP Glass VI Chapter 88; GB4806.11; EG VO/1935-2004; PED/97/23/EC;

Applications

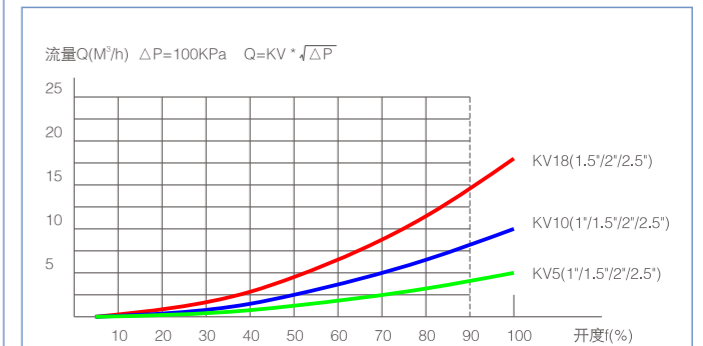
- V type (inlet constant pressure); maintain constant pressure at the valve inlet. Such design is specially applied at the back of heat-exchanger. It is used as safety valve.
- A type (Outlet constant pressure): maintain constant pressure at the outlet. Such design is used as the front of filling machine and bottle filling machine.

Technical Features

- Specification: 1/2"-3", DN10-DN65
- Material: 316L/1.4404, ASME BPE 316L 1.4435 NB2 Fe≤0.5%
- Pressure: Vacuum to 10bar (1.0 Mpa)
- Temperature: -20°C to +150°C, Depending on the seal material
- Seal: EPDM+PTFE
- Connection standard: DIN SMS ISO IDF RJT BS4825 ASME BPE 3A DIN11864 DIN11853
- Connection method: Thread, clamp, welding, flange
- Finish: Ra≤0.6 μm; MP=Ra≤0.3 μm; EP=Ra≤0.3 μm
- Certification: FDA 177.2600; 3A-64-00; Glass II USP Glass VI Chapter 88; GB4806.11; EG VO/1935-2004; PED/97/23/EC.



压差流量曲线图 Differential pressure flow curve

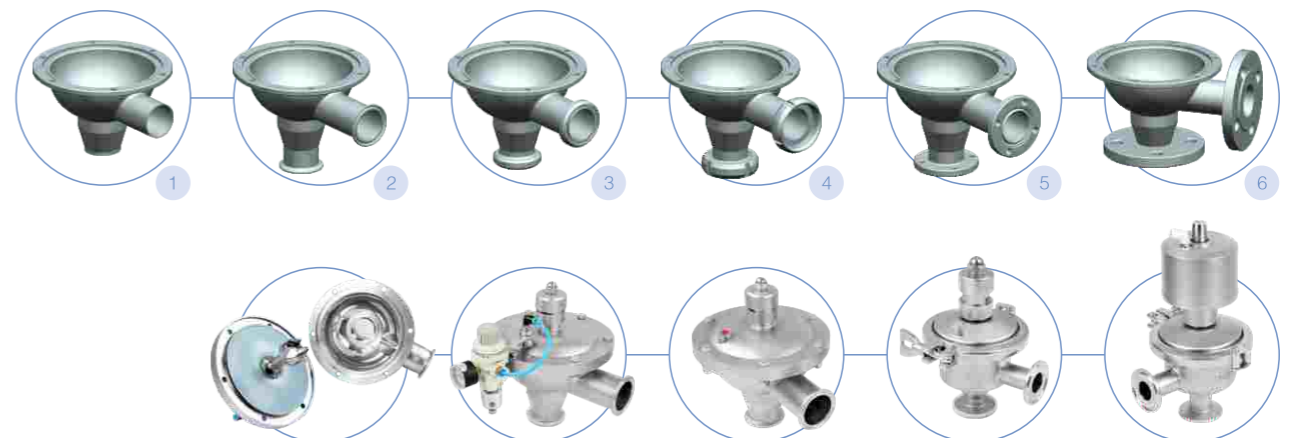


注意：上面图表适用于，介质：水(20° C) 测量：按照VDI 2173。
Note: The above chart applies to, medium: water (20° C) measurement: according to VDI 2173.

非常灵活的阀体组合和连接方式 Very Flexible Valve Body Combination And Connection Method

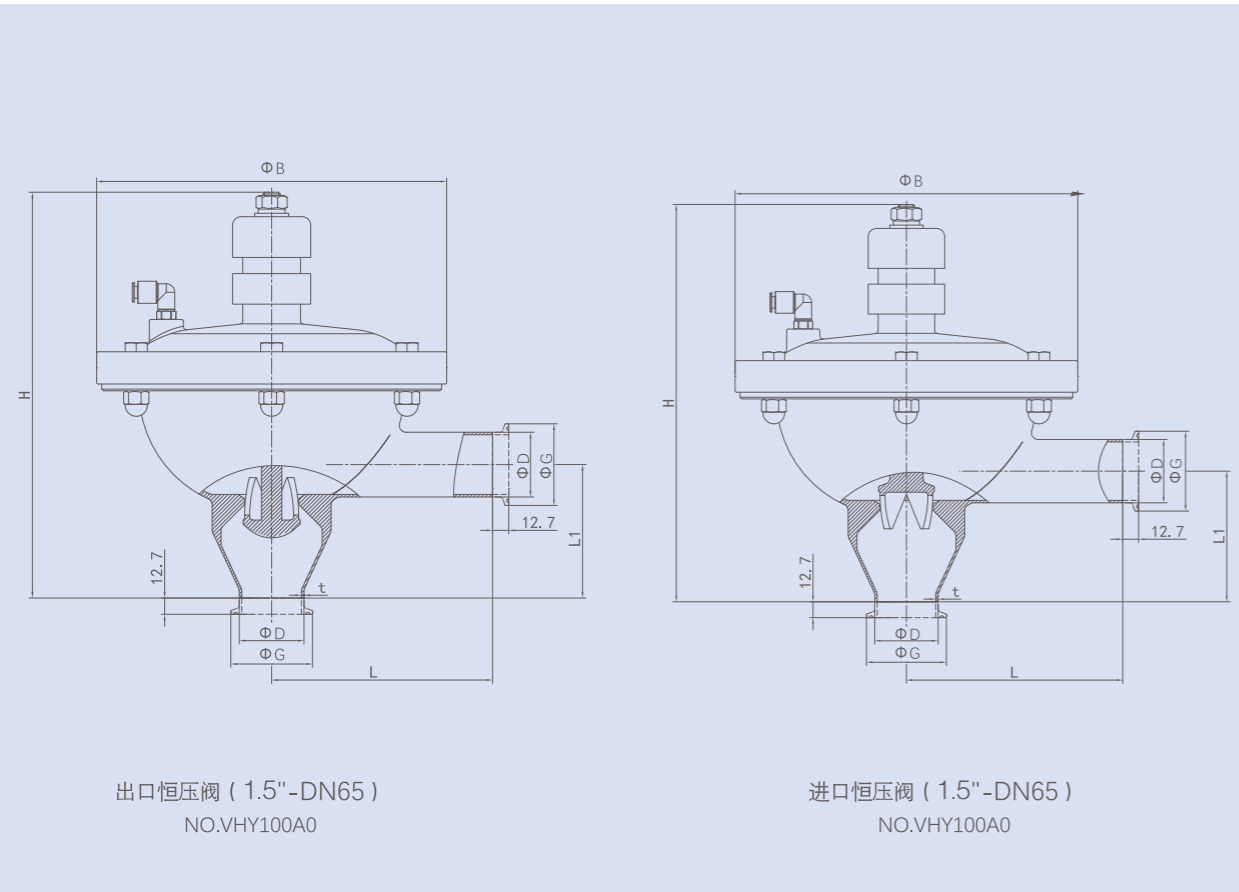
不同连接方式 Different Connection Methods

1. 焊接
2. 卡箍
3. 螺纹
4. 螺母
5. 无菌法兰
6. 法兰



恒压阀 Constant pressure valve

恒压阀外形-尺寸图

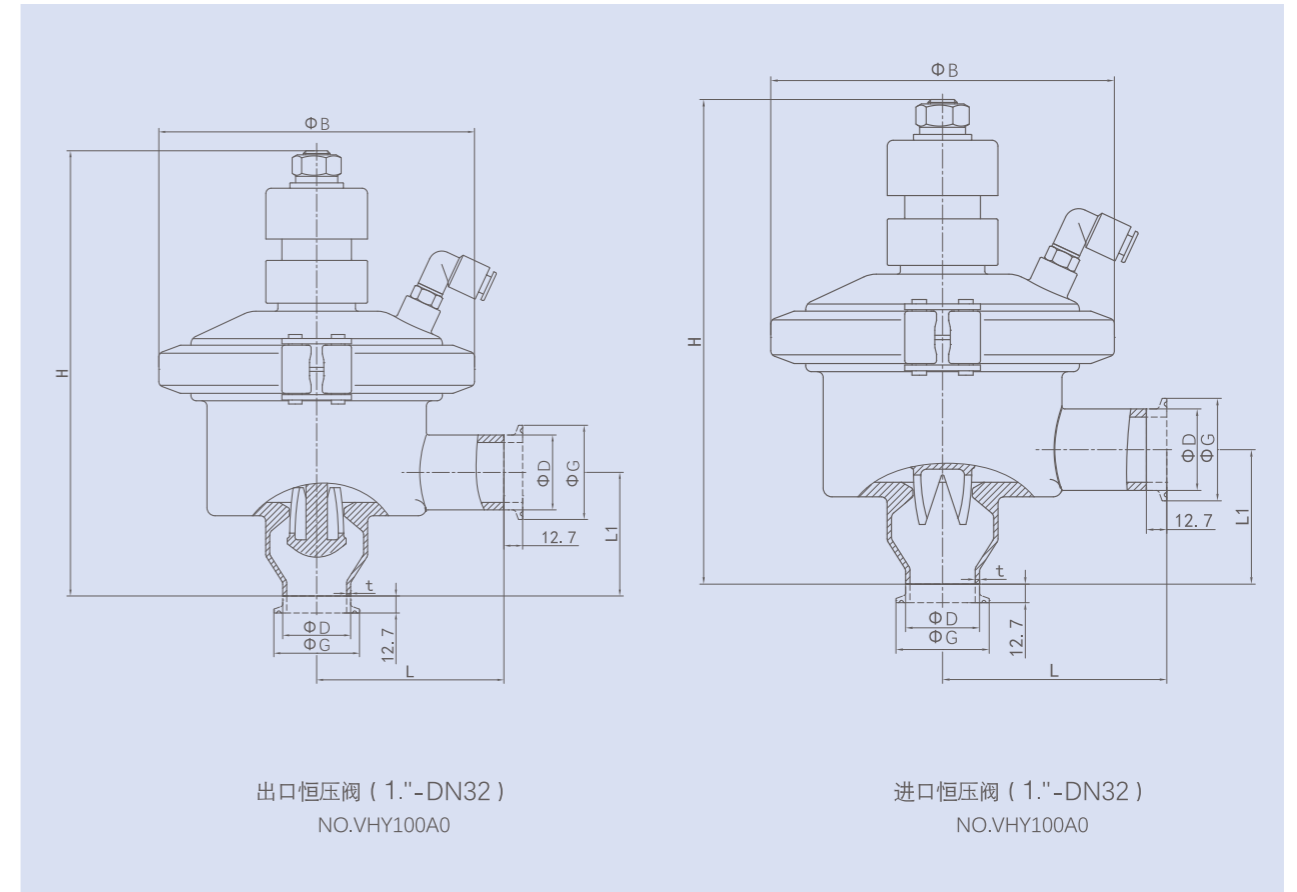


INCH							
规格	D	G	t	B	L	L1	H
DN40	40	50.5	1.5	206	130	85	239
DN50	52	64	1.5	206	130	85	239
DN65	70	91	2	206	130	85	239

NICH							
规格	D	G	t	B	L	L1	H
1.5"	38.1	50.5	1.5	206	130	85	239
2"	50.8	64	1.5	206	130	85	239
2.5"	63.5	77.5	2	206	149	85	239

注意：以上数据图相关尺寸不作为实物最终依据，东正保留对于数据更新权限不再另行通知。
Note: The relevant dimensions of the above data diagrams are not regarded as the final basis of the actual object. Dongzheng reserves the right to update the data without further notice.

恒压阀外形-尺寸图



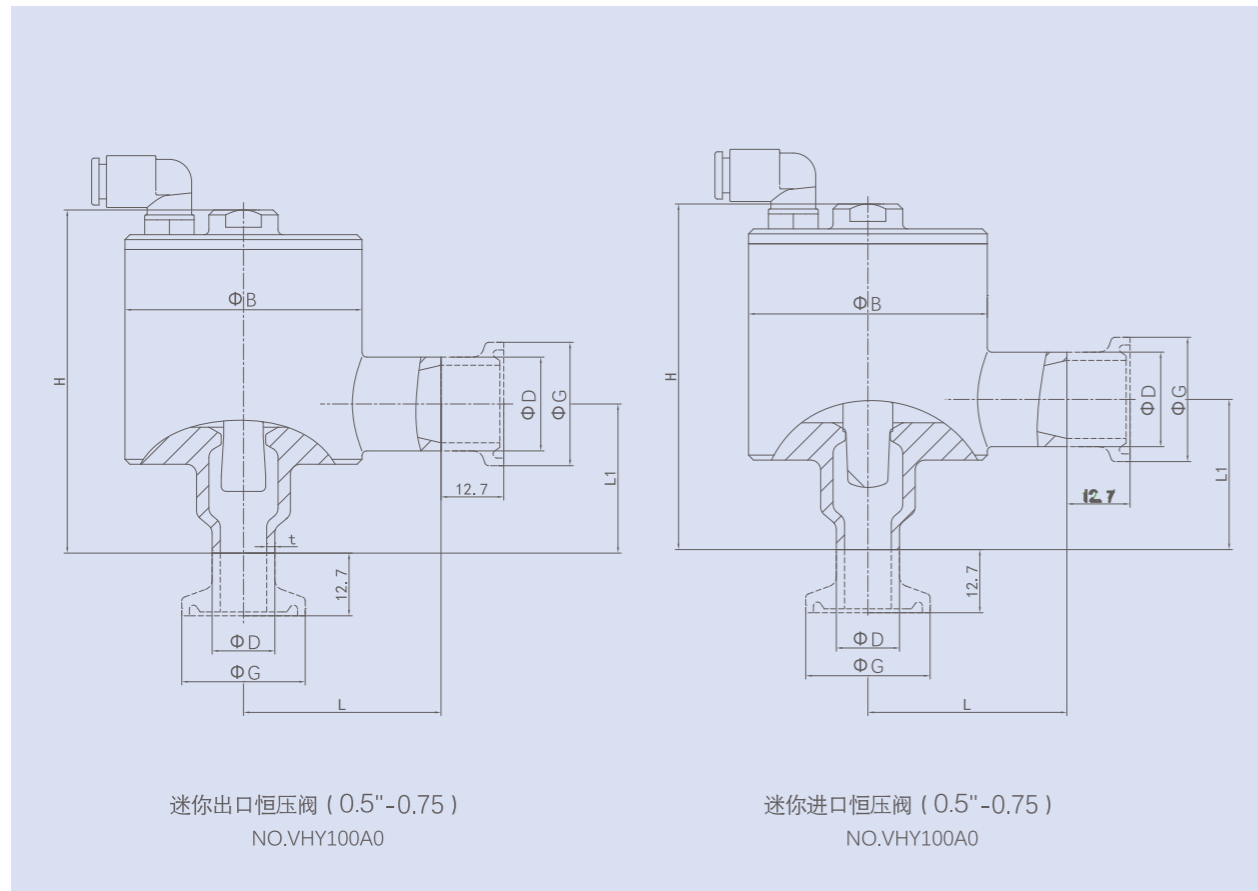
DIN							
规格	D	G	t	B	L	L1	H
DN25	28	50.5	1.5	118	70	46.2	166.5
DN32	34	50.5	1.5	118	70	46.2	166.5

NICH							
规格	D	G	t	B	L	L1	H
1"	25.4	50.5	1.5	118	70	46.2	166.5
1.25"	31.8	50.5	1.5	118	70	46.2	166.5

注意：以上数据图相关尺寸不作为实物最终依据，东正保留对于数据更新权限不再另行通知。
Note: The relevant dimensions of the above data diagrams are not regarded as the final basis of the actual object. Dongzheng reserves the right to update the data without further notice.

恒压阀 Constant pressure valve

恒压阀外形-尺寸图

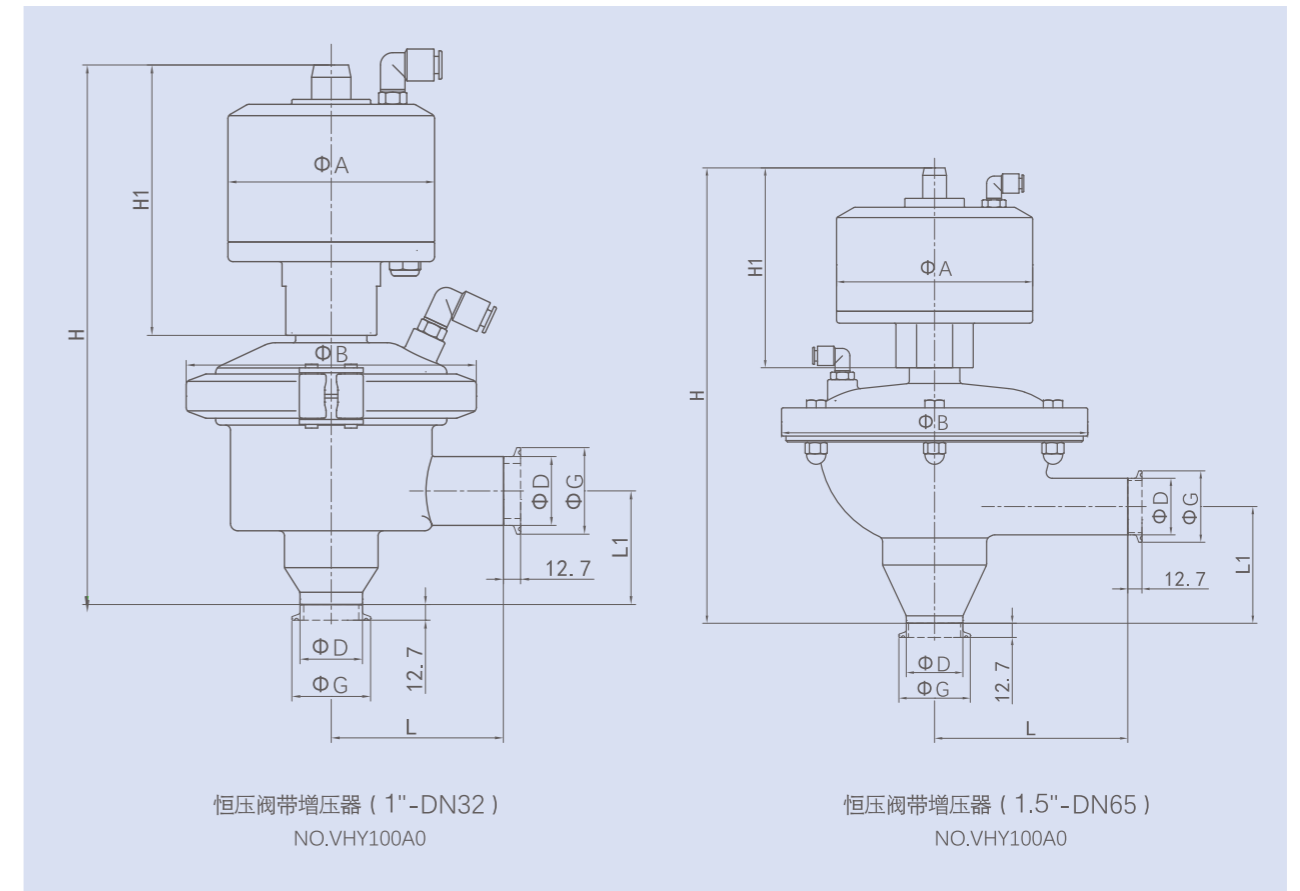


DIN							
规格	D	G	t	B	L	L1	H
DN10	12	34	1.5	48	40	30.2	74.5
DN15	18	34	1.5	48	40	30.2	74.5

NICH							
规格	D	G	t	B	L	L1	H
0.5"	12.7	25	1.65	48	40	30.2	74.5
0.75"	19	25	1.65	48	40	30.2	74.5

注意：以上数据图相关尺寸不作为实物最终依据，东正保留对于数据更新权限不再另行通知。
Note: The relevant dimensions of the above data diagrams are not regarded as the final basis of the actual object. Dongzheng reserves the right to update the data without further notice.

恒压阀外形-尺寸图

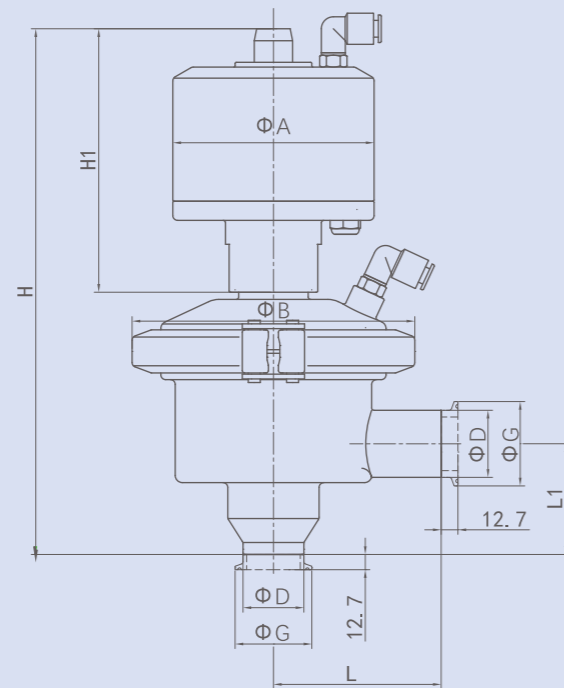


INCH									
规格	D	Dn	G	D1	D2	L	L1	H	H1
0.5"	12.7	9.4	25	90	40	102	127.4	185.5	45.5
0.75"	19.1	15.8	25	90	40	102	127.4	185.5	45.5
1"	25.4	22.1	50.5	118	63.5	130	155.4	249.15	58
1.25"	31.8	28.8	50.5	118	63.5	130	155.4	249.15	58
1.5"	38.1	34.8	50.5	162	63.5	160	185.4	259	67
2"	50.8	47.5	64	162	63.5	220	245.4	259	67
2.5"	63.5	59.5	77.5	198	70	240	265.4	333.15	95
3"	76.2	72.2	91	198	70	300	325.4	333.15	95
4"	101.6	97.6	119	198	70	340	371.6	333.15	95

注意：以上数据图相关尺寸不作为实物最终依据，东正保留对于数据更新权限不再另行通知。
Note: The relevant dimensions of the above data diagrams are not regarded as the final basis of the actual object. Dongzheng reserves the right to update the data without further notice.

恒压阀 Constant pressure valve

恒压阀外形-尺寸图

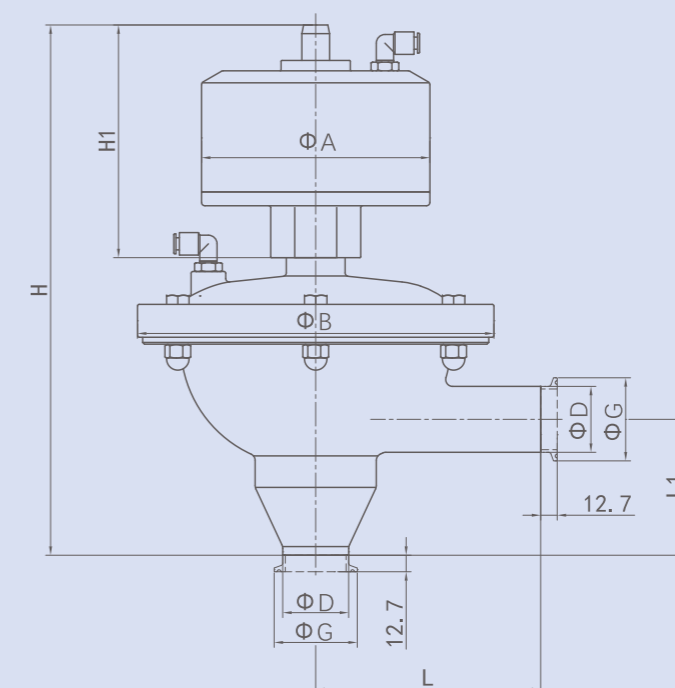


恒压阀带增压器 (1"-DN32)
NO.VHY100A0

DIN									
规格	D	G	t	A	B	L	L1	H	H1
DN25	28	50.5	1.5	84	118	70	46.2	219.5	110
DN32	34	50.5	1.5	84	118	70	46.2	219.5	110
NICH									
1"	25.4	50.5	1.5	84	118	70	46.2	219.5	110
1.25"	31.8	50.5	1.5	84	118	70	46.2	219.5	110

注意：以上数据图相关尺寸不作为实物最终依据，东正保留对于数据更新权限不再另行通知。
Note: The relevant dimensions of the above data diagrams are not regarded as the final basis of the actual object. Dongzheng reserves the right to update the data without further notice.

恒压阀外形-尺寸图



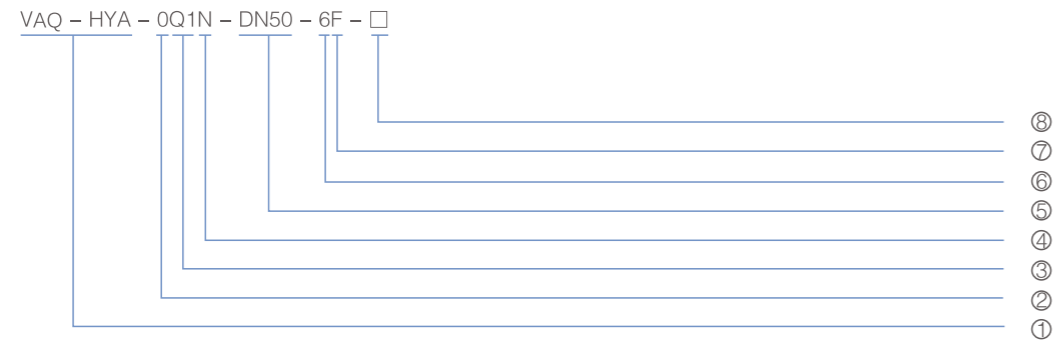
恒压阀带增压器 (1.5"-DN65)
NO.VHY100A0

DIN									
规格	D	G	t	A	B	L	L1	H	H1
DN40	40	50.5	1.5	132	206	130	85	306.5	134.5
DN50	52	64	1.5	132	206	130	85	306.5	134.5
DN65	70	91	2	132	206	149	85	306.5	134.5
NICH									
1.5"	38.1	50.5	1.5	132	206	130	85	306.5	134.5
2"	50.8	64	1.5	132	206	130	85	306.5	134.5
2.5"	63.5	77.5	2	132	206	149	85	306.5	134.5

注意：以上数据图相关尺寸不作为实物最终依据，东正保留对于数据更新权限不再另行通知。
Note: The relevant dimensions of the above data diagrams are not regarded as the final basis of the actual object. Dongzheng reserves the right to update the data without further notice.

恒压阀 Constant pressure valve

恒压阀货号编制规则



① 阀门类型代码

VAQ-HYV: 进口恒压型-V型
VAQ-HYA: 出口恒压型-A型

② 阀门连接方式

0-焊接式; 1-卡箍式;

③ 表示阀门执行机构

Q1: 气动调节

④ 表示是否带增压器

Y: 带增压器 N: 不带增压器 (默认)

⑤ 表示阀门规格

INCH系列(不分标准)	DIN系列	ISO系列	3A系列	SMS系列	RJT系列
OD 1"	DN 25	ISO 1"	3A 1"	SMS 25	RJT 1"
OD 1 1/4"	DN 32	ISO 1 1/4"		SMS 32	RJT 1 1/4"
OD 1 1/2"	DN 40	ISO 1 1/2"	3A 1 1/2"	SMS 38	RJT 1 1/2"
OD 2"	DN 50	ISO 2"	3A 2"	SMS 51	RJT 2"
OD 2 1/2"	DN 65	ISO 2 1/2"	3A 2 1/2"	SMS 63	RJT 2 1/2"

⑥ 表示阀体材质 (与介质接触部分)

6-AISI 316L; 4-AISI 304

⑦ 表示密封材质 (与介质接触部分)

E-EPDM(适用于1"-1.25"); P-PTFE(适用于1.5"-2.5");

⑧ 表示附件信息

0-无附件; FR-带气体减压阀

上述代码表示:
出口恒压阀-焊接式接口-气动不带增压器-规格OD2"-阀体材质316L-密封圈材质PTFE-带气体减压阀