

卫生截止阀 SanitaryGlobe valve



国家高新技术企业 浙江省著名商标
www.cndonjoy.com



领先源于创新 创新源于专业

东正的专业与品质的邂逅源于创新的精神



现代化工厂已经投产，期待您的光临！
温州空港经济园区生产基地
Wenzhou airport economic zone production base

占地面积29000m²，总投资1.2亿元，新引进ABB工业机器人、日本马扎克5轴加工中心、ABB机器人抛光设备。

东正创立于1993年，注册资金5508万，是一家专注于研发高品质PID过程控制器、阀门定位器、流量控制器，阀门控制单元，高洁净过程控制阀、智能自控阀，高洁净泵、高洁净管材和管道配件。公司高度专业化的产品和技术专注于生物制药、食品饮料、酿酒、精细化工等工业领域。东正众多的创新解决方案，对满足全球，尤其是新兴市场不断增长生物制药和食品饮料行业的需求起到了积极作用。

Covering an area of 29000 m², with total investment after construction is expected to 120 million yuan, introduces new ABB industrial robot, Japan mazar-e-sharif grams of five axis machining center, ABB machine Polishing equipment.

东正制造的产品母材料、加工技术、焊接技术、表面处理等技术指标均已达到国内外先进水平。且符合ASME BPE、EHEDG、FDA、3A等一系列国际标准和规范要求，先后通过了由德国TÜV机构实施的欧盟承压设备指令(PED-97/23/EC)和(MD-06/42/EC)认证、美国3A机构实施的3-A卫生标准认证、中国安全阀特种制造设备(TS)许可证和中国质量认证中心CQC ISO9001:2008质量管理体系认证等多项国际权威认证。

东正凭借先进的技术、优异的品质和完善的售后服务体系，先后被评定为国家高新技术企业，省著名商标、省科技型企业、创新型企业、专利示范企业、研发中心企业，守合同重信用AAA企业等众多荣誉。

关于东正 About DONJOY

Donjoy was built up in 1993, with registered capital RMB 55,08 millions. We focus on developing high quality PID process controller, the valve positioner, the flow controller, the valve control unit, high purity process control valve, intelligent self-control valve, high purity pump, high purity tubing fitting and pipeline accessories. Donjoy's products and technologies are widely used in biopharmaceutical, food, drink, wine fine chemicals and other industrial fields. Donjoy's innovation solutions meet the growing demand of the industry of biopharmaceutical, food and beverage from the whole world, especially the emerging market.

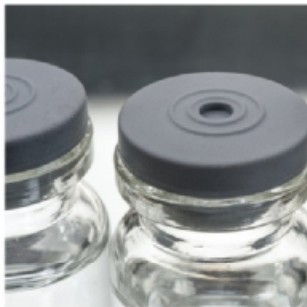
Raw material, processing technology, welding technology, surface treatment from Donjoy have achieved advanced levels of domestic and foreign market. Donjoy productions according to ASME BPE, EHEDG, FDA and 3A standard, get certificate of PED-97/23/EC and MD-06/42/EC issued by TUV, 3A issued by 3A organization, TS licence and ISO9001:2008.

Donjoy with advanced technology, excellent quality and perfect after-sales service system, has been assessed as the national high-tech enterprises, the Provincial Famous Trademark, the Provincial Science and Technology Enterprises, Innovative Enterprises, Patent Model Enterprises, R & D Center, AAA Credit Enterprises.



创立于2005年现代化工厂
温州滨海经济开发区生产基地
Wenzhou binhai economic development zone production base

DONJOY high-purity valve, pump, control system, pipe and accessories, provide the most excellent solution for various business scopes.



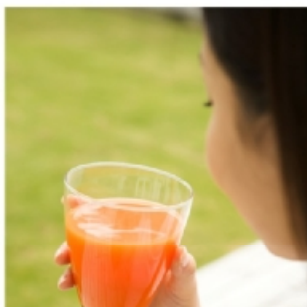
Biopharmaceutical



Dairy



Food



Beverage



Water Processing



Brewing



Fine Chemical

制造与检验 Manufacturing and testing



机器人生产线 Robot production line

全自动弯管设备 Automatic pipe bending equipment

DONJOY以科学技术是第一生产力，也是企业核心竞争力，只有不断投入核心技术研发和创新，不断追求卓越，精益求精、以先进生产设备，严格的质量管理体系，精密的生产检测流程，保证每一款产品优良的性能。

Science and technology constitute a primary productive force, also the core competitive strength of the enterprise. Continuously intensifying the research, development and innovation of core technology, pursuing prominence and keeping improving, ensuring the excellent quality and performance of every single product by advanced production equipment, strict quality control and precise production and inspection procedures.

荣誉与资质

Honor and qualification

	<p>3A</p> <p>东正是美国3A认证组织的金牌赞助商，3A是一个自愿组织，致力于维护公共卫生和奶制品产品质量通过独特的行业监管程序的设备，用于处理乳制品的卫生标准3A认证。 东正通过认证产品，阀门系列55-02-1783、64-00-1784、84-02-1786、85-03-1787、53-06-1782、54-02-1580、68-00-1785，管件(63-03)证书号(1581)等多种规格型号。</p>
	<p>PED/97/23/EC & MD/06/42EC</p> <p>东正通过了TUV 欧共体压力设备97/23/EC质量保证模式H&材料(管件)制造认证。 阀门证书 NO.CE 0036 泵类证书 NO.705201402401-00</p>
	<p>FDA177.2600</p> <p>东正生产的阀门和泵以及流体设备等，与物料接触密封圈全部通过或符合美国食品和药品管理局和联邦法规第21条即，CRF 21 FDA177.2600和FDA177.1550认证，其涵盖： EPDM VITON(FPM) SILICON HNBPTFE橡胶塑料材料等。</p>
	<p>ISO9001/2008</p> <p>东正通过中国质量认证中心CQC，ISO9001-2008/GB/T19001-2008企业质量管理体系认证。其证书编号: 00108Q24215R1M/3302</p>
	<p>卫生许可证</p> <p>东正通过了省卫生厅卫生阀门、卫生管件等检验，且获得了其颁发的证书，其编号: So083。 其许可证为国家出台的生活饮用水卫生监督管理方法证书。</p>
	<p>高新技术企业</p> <p>东正通过多年发展和技术创新已获得了多项国家发明专利，100多项实用新型专利，现已成为国家高新技术企业。</p>
	<p>浙江省著名商标</p> <p>东正09年获得了温州市著名商标，2012年获得了浙江省著名商标。</p>

DONJOY不但拥有以上认证和荣誉，且被评定为省科技型、创新型、专利示范、研发中心、守合同守信用企业等众多的荣誉证书。

高洁净截止阀/高洁净调节截止阀

High purity globe valve/High purity adjust globe valve

DONJOY 创新设计
专利保护



应用

截止阀是自动控制系统中常用的管路开关，被广泛应用于印织、印染、漂白、食品、洗涤、化工、水处理、医药等各种自动机械设备，具有抗水锤、无噪声、密封性能可靠等特点。

Applications

Globe valve is a general switch in the automatic control system is widely used in printing, dyeing, bleaching, food, washing, chemical, water treatment, pharmacy and other automated machinery and equipment. It featured with water hammer protection, noise-free, reliable sealing performance.

设计和特点

- ◆规格: 1/2"-3", DN10-DN80
- ◆材质: CF8/304, CF8M/316
- ◆连接标准: 螺纹、卡箍、法兰、BSP、BSP、NPT、DIN
- ◆工作压力: 8bar (标准) 10bar (选项)
- ◆工作温度: 120°C (标准) 180°C (选项)

Design and features

- ◆Size: 1/2"-3", DN10-DN80
- ◆Material: CF8/304, CF8M/316
- ◆Connect: Thread, Clamp, Flange, BSP, BSPT, NPT, DIN
- ◆Working pressure: 8 bar (standard) 10 bar (option)

操作方式

- ◆手动: 塑料手轮、不锈钢手轮、微调手轮
- ◆气动: 塑料和不锈钢执行器
- ◆气动控制方式: 定位器、过程控制器、阀门控制单元、位置传感器

Operating mode

- ◆Manual: plastic handwheel, stainless steel wheel, fine-tuning hand wheel
- ◆Pneumatic: plastic and stainless steel actuators
- ◆Pneumatic control mode: valve positioner, process controller, the control unit, Position sensor



气动截止阀
Pneumatic Globe valve

手动气动可互换
SIZE: 1/2"-4", DN10-DN100
304(CF8)/316(CF8M)
PED/97/23/EC认证
PTFE FDA177.5500

Manually pneumatic
interchangeable
SIZE: 1/2"-4", DN10-DN100
304(CF8)/316(CF8M)
PED/97/23/EC Certification
PTFE FDA177.5500



手动截止阀
Manually Globe valve



气动截止阀+定位器
Pneumatic Globe valve + positioner

气源压力: 4-7bar
供电: DC24V
信号输入: 0/4-20mA, 0-5/10V
信号反馈: 0/4-20mA, 0-5/10V
兼容 DEVICE NET BUS

Air pressure: 4-7bar
Power Supply: DC24V
Signal Input: 0 / 4-20mA, 0-5 / 10V
Signal Feedback: 0 / 4-20mA, 0-5 / 10V
Compatible DEVICE NET BUS



不锈钢手轮截止阀
Stainless steel hand Globe valve



气动截止阀+C-TOP
Pneumatic Globe valve + C-TOP

位置感应可目测, 开(绿色)关(红色)
点动按钮
内置电磁阀
基本版本
AS-I总线版本

Position sensors can be visual, open
(green) off (red)
Jog buttons
Built-in solenoid valve
The basic version
AS-I bus version



气动三通截止阀
Stainless steel pneumatic Globe valve

截止阀 Globe valve



气动截止阀+阀位调节器 Pneumatic globe valve + valve position regulator

- ◆该设计具有阀位可调节功能，与阀门定位器比较有着成本的优势，但不能实现实时流量调节，只能通过手动调节阀位实现流量调节。
- ◆调节原理，手轮旋转至需要位置，再将调节器并帽拧紧即可。
- ◆This design with valve position adjustment function, and compared with valve positioner, this regulator with a cost advantages, but can't realize real-time flow control. Only through the manual valve position to realize flow control.
- ◆Adjust principle, the handwheel turn to the needed position, Then tighten the cap on the regulator.

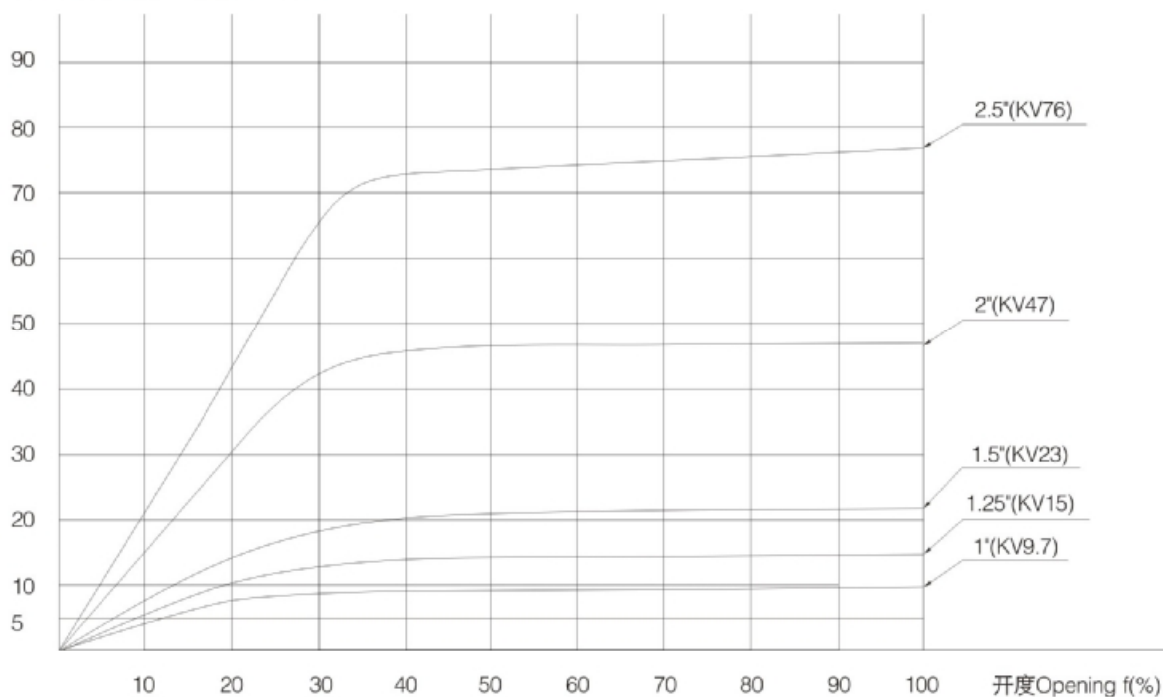


气动截止阀+位置传感器 Pneumatic globe valve + position sensor

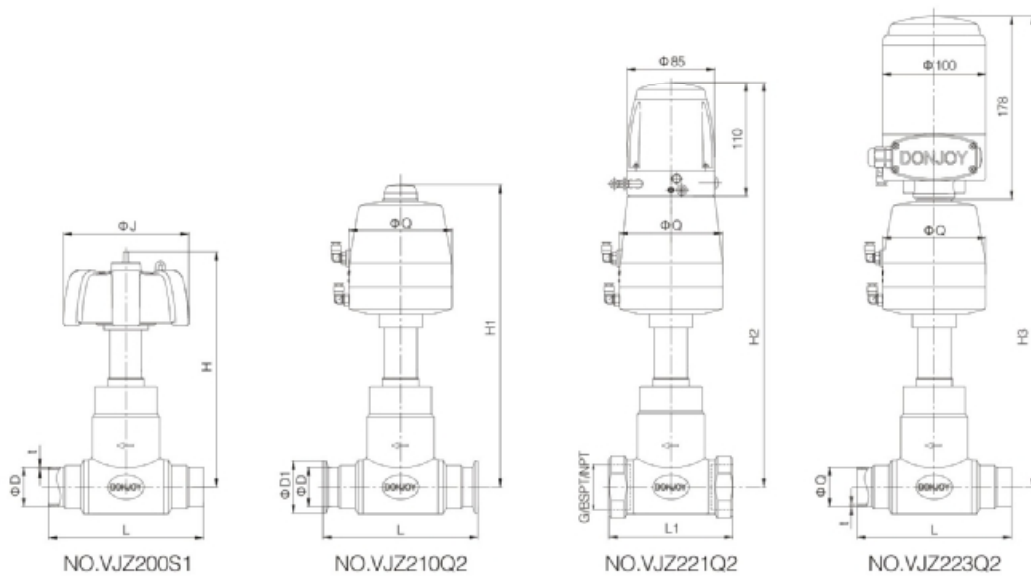
- ◆传感器位置反馈，NPN PNP
- ◆Sensor position feedback, NPN PNP

截止阀流量/选择(开度f)图表 Choose(opening f)diagram

Flow Q 流量Q(M³/h) $Q=KV \cdot \sqrt{\Delta P}$



注意:上面图表适用于, 介质:水(20°C) Attention:above diagram suit for the medium,water(20°C)



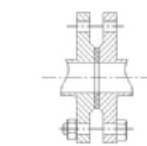
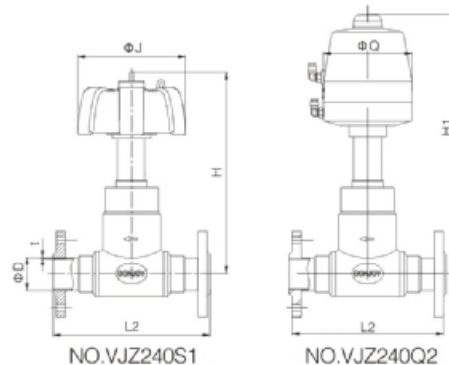
INCH

SIZE	t/mm	D	D1	J	Q	L	H	H1	H2	H3	L1	G	BSPT	NPT
1"	1.5/1.65	25.4	50.5	87.2	100	130	200	275	371	439	100	G1"	BSPT1"	NPT1"
1.25"	1.5/1.65	31.8	50.5	114	100	140	223	295	391	459	120	G1.25"	BSPT1.25"	NPT1.25"
1.5"	1.5/1.65	38.1	50.5	114	100	150	223	295	391	459	130	G1.5"	BSPT1.5"	NPT1.5"
2"	1.5/1.65	50.8	64	138	135	175	255	360	456	524	160	G2"	BSPT2"	NPT2"
2.5"	1.65/2.0	63.5	77.5	138	135	210	283	386	482	550	185	G2.5"	BSPT2.5"	NPT2.5"
3"	1.65/2.0	76.2	91	138	135	210	283	390	486	554	210	G3"	BSPT3"	NPT3"

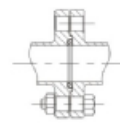
DIN

SIZE	t/mm	D	D1	J	Q	L	H	H1	H2	H3	L1	G	BSPT	NPT
DN25	1.5	28/29	50.5	87.2	100	130	200	275	371	439	100	G1"	BSPT1"	NPT1"
DN32	1.5	34/35	50.5	114	100	140	223	295	391	459	120	G1.25"	BSPT1.25"	NPT1.25"
DN40	1.5	40/41	50.5	114	100	150	223	295	391	459	130	G1.5"	BSPT1.5"	NPT1.5"
DN50	1.5	52/53	64	138	135	175	255	360	456	524	160	G2"	BSPT2"	NPT2"
DN65	2.0	70	91	138	135	210	283	390	486	554	185	G2.5"	BSPT2.5"	NPT2.5"

注：以上参数可适用于不锈钢手轮和不锈钢气动执行器。如需法兰连接请参考法兰式截止阀
 Above parameter can be available for Stainless Steel handle and Stainless Steel pneumatic actuator. if need flange connection, please refer to flange type Globe Valve



普通法兰-PN10kg



无菌法兰(可选)
DIN11864-2-A

注意：法兰有两种设计：无菌法兰和基本法兰，订购时请说明
 Note: There are two flange design: aseptic flange and basic flange, please specify when ordering

INCH

SIZE	t/mm	D	L2	J	Q	H	H1
1"	1.5/1.65	25.4	154	87.2	100	200	275
1.25"	1.5/1.65	31.8	168	114	100	223	295
1.5"	1.5/1.65	38.1	178	114	100	223	295
2"	1.5/1.65	50.8	203	138	135	255	360
2.5"	1.65/2.0	63.5	242	138	135	283	386
3"	1.65/2.0	76.2	242	138	135	283	390

DIN

SIZE	t/mm	D	L2	J	Q	H	H1
DN25	1.5	28/29	154	87.2	100	200	275
DN32	1.5	34/35	168	114	100	223	295
DN40	1.5	40/41	178	114	100	223	295
DN50	1.5	52/53	203	138	135	255	360
DN65	2.0	70	242	138	135	283	390

注：*为选项可以满足10bar压力。如需配置不锈钢手轮和不锈钢气动执行器可参照以上参数即可
 Note: * Option to meet 10bar pressure.
 Configuration: Stainless steel hand wheel and stainless steel pneumatic actuators can refer to the above parameters.





CHINA DONJOY TECHNOLOGY CO.,LTD.

DONJOY looking forward to your visit! Your telecommunications!



中国·东正
科技有限公司

地址: 温州龙湾区空港新区港富路25号
总机: 0577-86990888
传真: 0577-86998000

Add : No.25 Gang fu Road,
kong gang new District,
Longwan Wenzhou,China
Tel: +86-577-86990888
Fax: +86-577-86998000
E-mail: donjoy@cndonjoy.com

www.cndonjoy.com

法律声明:

目录样册版本属东正所有, 如有抄袭东正将追究其法律责任和经济赔偿。
东正众多技术设计, 都具有专利保护, 如有抄袭, 东正必将追究法律责任和经济赔偿。