

卫生恒压阀

Sanitary Constant pressure valve



国家高新技术企业 浙江省著名商标
www.cndonjoy.com



东正一直致力于重大技术进步，是您值得信赖的事业伙伴！
Donjoy committing to major technological advances, is your reliable business partner!

0.1	自控调节阀+控制器 Automatic control regulating valve +Control head
0.2	生物制药隔膜阀 Biopharmaceutical diaphragm valve
0.3	高洁净泵 High purity pumps
0.4	防混蝶阀+蝶阀 Mixing proof butterfly valve +Butterfly valve
0.5	球阀 Ball valve
0.6	截止换向阀+防混阀+罐底阀 Divert seat valve+Mixing proof valve +Tank bottom valve
0.7	角座阀+截止阀 Angle seat valve+Globe valve
0.8	止回阀+恒压阀+安全阀+减压阀 Check valve+constant pressure valve+safety valve +air release valve
0.9	清洁技术+取样阀+视镜+照明技术 Clean technology+sample valve+sight glass +lighting technology
0.10	过滤器+人孔 Filter+man hole cover(manway)
0.11	卫生管件 Sanitary fittings ASME BPE DIN11852 B&4825 SMS ISO IDF 3A



注意：
目录技术资料仅供设计参考，
设计更新和技术升级恕不另行通知！

不断革新的技术、日新月异的市场发展和客户需求是当今我们面临的巨大挑战。面对这些挑战我们信心十足，因为东正高度专业化的产品和技术创新，是我们未来将以更高、更优的产品来满足不断增长的市场需求。

Technological innovation, rapid development of the market and customer needs are the greatest challenges facing us today. Facing with these challenges we are confident, because of highly professional products and technological innovation, we will meet the growing demand of market and customer with our better and better products.

法律声明：
目录样册版本属东正所有，如有抄袭东正将追究其法律责任和经济赔偿。
东正众多技术设计，都具有专利保护，如有抄袭，东正必将追究法律责任和经济赔偿。

领先源于创新 创新源于专业

东正的专业与品质的邂逅源于创新的精神



现代化工厂已经投产，期待您的光临！
温州空港经济园区生产基地
Wenzhou airport economic zone production base

占地面积29000m²，总投资1.2亿元，新引进ABB工业机器人、日本马扎克5轴加工中心、ABB机器人抛光设备。

东正创立于1993年，注册资金5508万，是一家专注于研发高品质PID过程控制器、阀门定位器、流量控制器，阀门控制单元，高洁净过程控制阀、智能自控阀，高洁净泵、高洁净管材和管道配件。公司高度专业化的产品和技术专注于生物制药、食品饮料、酿酒、精细化工等工业领域。东正众多的创新解决方案，对满足全球，尤其是新兴市场不断增长生物制药和食品饮料行业的需求起到了积极作用。

Covering an area of 29000 m², with total investment after construction is expected to 120 million yuan, introduces new ABB industrial robot, Japan mazar-e-sharif grams of five axis machining center, ABB machine Polishing equipment.

东正制造的产品母材料、加工技术、焊接技术、表面处理等技术指标均已达到国内外先进水平。且符合ASME BPE、EHEDG、FDA、3A等一系列国际标准和规范要求，先后通过了由德国TÜV机构实施的欧盟承压设备指令(PED-97/23/EC)和(MD-06/42/EC)认证、美国3A机构实施的3-A卫生标准认证、中国安全阀特种制造设备(TS)许可证和中国质量认证中心CQC ISO9001:2008质量管理体系认证等多项国际权威认证。

东正凭借先进的技术、优异的品质和完善的售后服务体系，先后被评定为国家高新技术企业，省著名商标、省科技型企业、创新型企业、专利示范企业、研发中心企业，守合同重信用AAA企业等众多荣誉。

关于东正 About DONJOY

Donjoy was built up in 1993, with registered capital RMB 55,08 millions. We focus on developing high quality PID process controller, the valve positioner, the flow controller, the valve control unit, high purity process control valve, intelligent self-control valve, high purity pump, high purity tubing fitting and pipeline accessories. Donjoy's products and technologies are widely used in biopharmaceutical, food, drink, wine fine chemicals and other industrial fields. Donjoy's innovation solutions meet the growing demand of the industry of biopharmaceutical, food and beverage from the whole world, especially the emerging market.

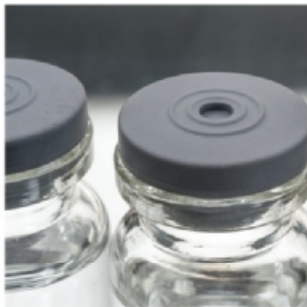
Raw material, processing technology, welding technology, surface treatment from Donjoy have achieved advanced levels of domestic and foreign market. Donjoy productions according to ASME BPE, EHEDG, FDA and 3A standard, get certificate of PED-97/23/EC and MD-06/42/EC issued by TUV, 3A issued by 3A organization, TS licence and ISO9001:2008.

Donjoy with advanced technology, excellent quality and perfect after-sales service system, has been assessed as the national high-tech enterprises, the Provincial Famous Trademark, the Provincial Science and Technology Enterprises, Innovative Enterprises, Patent Model Enterprises, R & D Center, AAA Credit Enterprises.



创立于2005年现代化工厂
温州滨海经济开发区生产基地
Wenzhou binhai economic development zone production base

DONJOY high-purity valve, pump, control system, pipe and accessories, provide the most excellent solution for various business scopes.



Biopharmaceutical



Dairy



Food



Beverage



Water Processing



Brewing



Fine Chemical

制造与检验 Manufacturing and testing



机器人生产线 Robot production line

全自动弯管设备 Automatic pipe bending equipment

DONJOY以科学技术是第一生产力，也是企业核心竞争力，只有不断投入核心技术研发和创新，不断追求卓越，精益求精、以先进生产设备，严格的质量管理体系，精密的生产检测流程，保证每一款产品优良的性能。

Science and technology constitute a primary productive force, also the core competitive strength of the enterprise. Continuously intensifying the research, development and innovation of core technology, pursuing prominence and keeping improving, ensuring the excellent quality and performance of every single product by advanced production equipment, strict quality control and precise production and inspection procedures.

荣誉与资质

Honor and qualification

	<p>3A</p> <p>东正是美国3A认证组织的金牌赞助商，3A是一个自愿组织，致力于维护公共卫生和奶制品产品质量通过独特的行业监管程序的设备，用于处理乳制品的卫生标准3A认证。 东正通过认证产品，阀门系列55-02-1783、64-00-1784、84-02-1786、85-03-1787、53-06-1782、54-02-1580、68-00-1785，管件(63-03)证书号(1581)等多种规格型号。</p>
	<p>PED/97/23/EC & MD/06/42EC</p> <p>东正通过了TUV 欧共体压力设备97/23/EC质量保证模式H&材料(管件)制造认证。 阀门证书 NO.CE 0036 泵类证书 NO.705201402401-00</p>
	<p>FDA177.2600</p> <p>东正生产的阀门和泵以及流体设备等，与物料接触密封圈全部通过或符合美国食品和药品管理局和联邦法规第21条即，CRF 21 FDA177.2600和FDA177.1550认证，其涵盖： EPDM VITON(FPM) SILICON HNBPTFE橡胶塑料材料等。</p>
	<p>ISO9001/2008</p> <p>东正通过中国质量认证中心CQC，ISO9001-2008/GB/T19001-2008企业质量管理体系认证。其证书编号: 00108Q24215R1M/3302</p>
	<p>卫生许可证</p> <p>东正通过了省卫生厅卫生阀门、卫生管件等检验，且获得了其颁发的证书，其编号: So083。 其许可证为国家出台的生活饮用水卫生监督管理方法证书。</p>
	<p>高新技术企业</p> <p>东正通过多年发展和技术创新已获得了多项国家发明专利，100多项实用新型专利，现已成为国家高新技术企业。</p>
	<p>浙江省著名商标</p> <p>东正09年获得了温州市著名商标，2012年获得了浙江省著名商标。</p>

DONJOY不但拥有以上认证和荣誉，且被评定为省科技型、创新型、专利示范、研发中心、守合同守信用企业等众多的荣誉证书。

恒压调节阀(背压阀) Constant pressure valve

DONJOY 创新设计
专利保护



应用

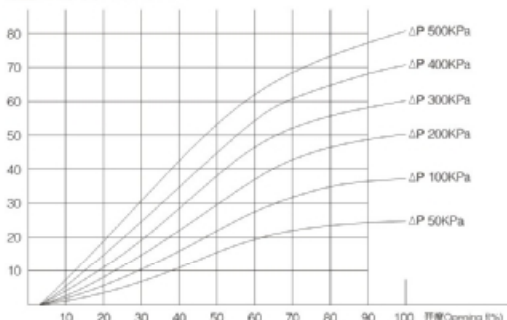
- ◆ 该阀门是一种卫生型恒压阀，可适用于食品加工、饮料、制药等领域的管道系统上。
- ◆ 恒压设计有两种保持恒定压力的功能选择：
V型恒压阀：入口恒压(进口压力保持恒定)在阀门入口端保持一个恒压。该配置典型应用，分离器，热交换器等后部，作为溢流阀门的使用。
A型恒压阀：出口恒压在阀门出口端保持一个恒压。出口恒压配置典型应用，灌装机，装瓶机等设备前部。

Applications

- ◆ V type (inlet constant pressure): maintain constant pressure at the valve inlet. Such design is specially applied at the back of heat-exchanger. It is used as safety valve.
- ◆ A type (Outlet constant pressure): maintain constant pressure at the outlet. Such design is used as the front of filling machine and bottle filling machine.

压差流量曲线图=KV36(举例)

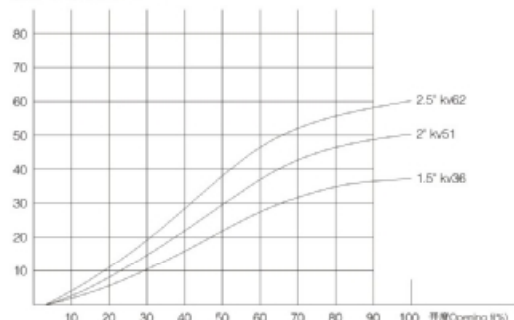
流量FlowQ(M³/h) KV36 Q=KV·√ΔP



注意: 上面图表适用于: 介质: 水(20°C), 测量: 按照VDI 2173
Note: above diagram suit for the medium: water(20°C), measuring according to VDI 2173

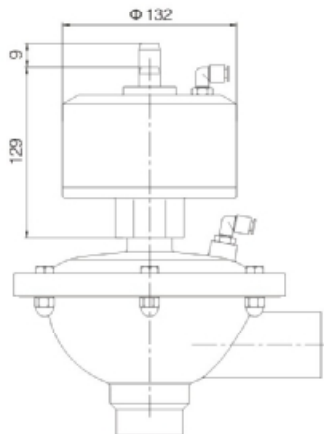
流量/选择(开度f)图表

流量FlowQ(M³/h) Q=KV·√ΔP

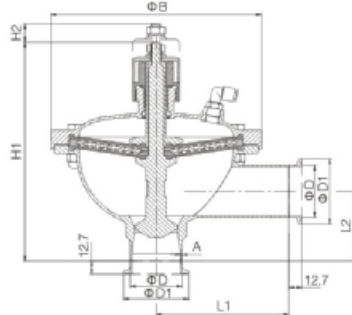


注意: 上面图表适用于: 介质: 水(20°C), 测量: 按照VDI 2173
Note: above diagram suit for the medium: water(20°C), measuring according to VDI 2173

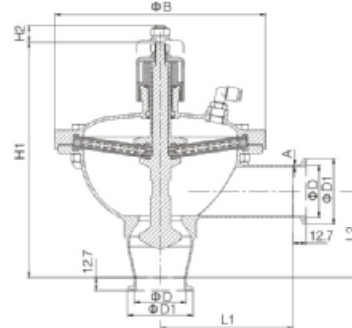
恒压调节阀(背压阀) Constant pressure valve



带增压器
With superchanger
NO.VHY300Q1



V型(进口恒压)
V Type(inlet constant pressure)
NO.VHY100Q1



A型(出口恒压)
A Type(Outlet constant pressure)
NO.VHY200Q1

恒压阀尺寸图 Constant pressure valve dimension

SIZE	D	D1	A	B	L1	L2	H1	H2	
V型	DN40	40	50.5	1.5	206	130	62	215	
	1.5"	38.1							
	DN50	52	64	1.5		130	69		215
	2"	50.8	2	130		69	215		
A型	DN40	40	50.5	1.5	206	130	78	230	
	1.5"	38.1							
	DN50	52	64	1.5		130	85		230
	2"	50.8	2	130		85	230		
2.5"	63.5	77.5	2	206	130	85	230		

标准设计

- ◆接触部分材质: 1.4404/316L, 其他304
- ◆密封材质: EPDM+PTFE(FDA177.2600)
- ◆连接方式: 卡箍、螺纹、焊接、ISO、DIN、SMS、RJT
- ◆表面处理: 外喷砂, 内镜面抛光($Ra \leq 0.6 \mu m$)
- ◆工作温度: -10 到 $150^\circ C$
- ◆工作压力: 8 bar
- ◆最大工作压力: 12bar 增加增压器(选项)

Standard design

- ◆Contact part of the material: 1.4404/316L, other parts: 304
- ◆Seal: EPDM + PTFE (FDA177.2600)
- ◆Connections: clamp, thread, welding, ISO, DIN, SMS, RJT
- ◆Surface: sand blast outside, mirror finished inside ($Ra \leq 0.6 \mu m$)
- ◆Working temperature: -10 to $150^\circ C$
- ◆Working pressure: 8 bar
- ◆The max working pressure: 12 bar Supercheuger(option)

工作原理

- ◆恒压阀通过压缩空气进行操作, 该阀门的操作不需要管道系统上的其他传感器或其他辅助仪器实现自动操作, 而只需要一只压缩空气压力调节阀保持气压稳定即可实现阀门正常工作。
- ◆隔膜片和阀杆的配合可对所输送的产品任何压力的变化迅速作出反应, 并相应的改变阀杆的位置, 以便继续保持预先设定的压力值。
- ◆恒压阀-V型: 进口压力保持恒定, 在输送介质的压力高于设定压力的情况下阀门开启, 输送介质压力降低时流量也随之变成, 输送介质压力不足时阀门关闭。(见图1)
- ◆恒压阀-A型: 出口压力保持恒定, 当输送的介质压力高于设定压力的情况下阀门会关闭, 输送介质压力降低时流量也随之变化, 输送介质压力不足时阀门开启。(见图2)

注意: 订购恒压阀时一定要说明进口恒压/出口恒压。

Operating principles

- ◆Constant pressure valve operated by compressed air, automatically run without sensor on piping system or other auxiliary instruments, and only one compressed air pressure regulating valve that maintains pressure stability can be realized the normal work of the valve.
- ◆Diaphragm slice and valve rod can be fit to transport product any pressure changes to make a quick response, and the corresponding change the valve stem position, in order to continue to keep the preset pressure value.
- ◆Constant pressure valve - V: inlet pressure constant, in conveying medium pressure higher than the set pressure under the condition of the valve opens, the transmission medium pressure decreases flow has become, conveying medium pressure is insufficient valve closed. (see chart 1)
- ◆Constant pressure valve - A type: outlet pressure constant, when transmitting medium pressure higher than the set pressure under the condition of the valve will be closed, conveying medium pressure decreases flow changes, conveying medium pressure is insufficient valve opens. (see chart 2)

Note: Please specify inlet/outlet constant pressure when you are ordering the constant pressure valve.

迷你型恒压调节阀

Mini-type constant pressure valve



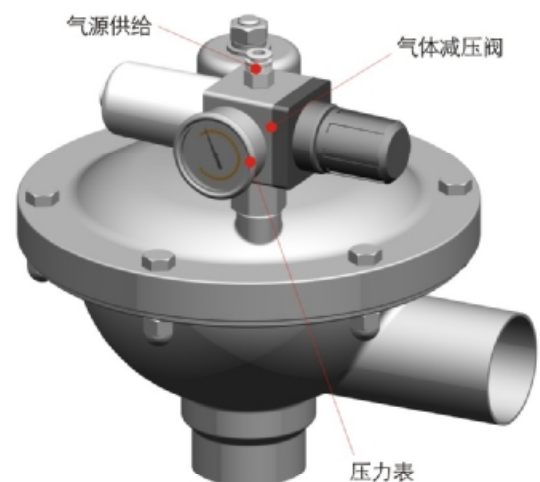
应用

- ◆该阀门是一种卫生型恒压阀，可适用于食品加工、饮料、制药等领域的管道系统上。
- ◆恒压设计有两种保持恒定压力的功能选择：
V型恒压阀：入口恒压(进口压力保持恒定)在阀门入口端保持一个恒压。该配置典型应用，分离器，热交换器等后部，作为溢流阀门的使用。
A型恒压阀：出口恒压在阀门出口端保持一个恒压。出口恒压配置典型应用，灌装机，装瓶机等设备前部。

Applications

- ◆V type (inlet constant pressure); maintain constant pressure at the valve inlet. Such design is specially applied at the back of heat-exchanger. It is used as safety valve.
- ◆A type (Outlet constant pressure): maintain constant pressure at the outlet. Such design is used as the front of filling machine and bottle filling machine.

恒压阀安装建议



迷你型恒压调节阀

Mini-type constant pressure valve

该阀门利用气体压力和管道压力设计来实现管道平衡的原理设计
 The valve using the gas pressure and the principle of pressure pipeline design to achieve the equilibrium of pipeline design



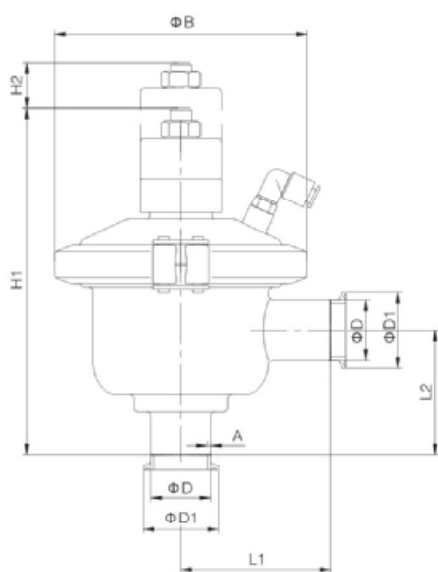
图(1)



图(2)

注意：图(1)进口恒压设计，保持进口管道压力恒定
 图(2)出口恒压设计，保持进口管道压力恒定

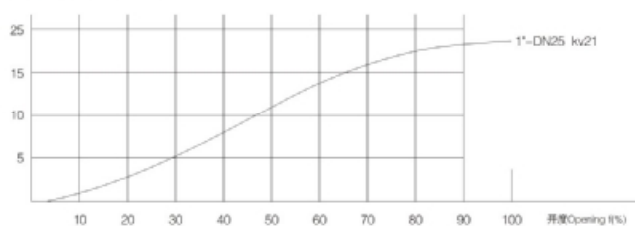
Note: Figure 1 input constant pressure design to keep constant pressure inlet pipe
 Figure 2 outlet constant pressure design, of outlet pipeline pressure constant



NO.MINI-VHY110Q1

迷你型恒压阀流量/选择(开度)图表
 Mini-type constant pressure valve Flow(opening f)diagram

流量FlowQ(M³/h) Q=KV·√EP



注意:上面图表适用于:介质水(20°C),测量:按照VDI 2173
 Note:above diagram suit for the medium:water(20°C),measuring according to VDI 2173

恒压阀尺寸图 Constant pressure valve dimension

	SIZE	D	D1	A	B	L1	L2	H1	H2
V型	DN25	28	50.5	1.5	118	70	58	162	16
	1"	25.4							
A型	DN25	28	50.5	1.5	118	70	58	176	16
	1"	25.4							



CHINA DONJOY TECHNOLOGY CO.,LTD.

DONJOY looking forward to your visit! Your telecommunications!



中国·东正
科技有限公司

地址: 温州龙湾区空港新区港富路25号
总机: 0577-86990888
传真: 0577-86998000

Add : No.25 Gang fu Road,
kong gang new District,
Longwan Wenzhou,China
Tel: +86-577-86990888
Fax: +86-577-86998000
E-mail: donjoy@cndonjoy.com

www.cndonjoy.com

法律声明:

目录样本版本属东正所有, 如有抄袭东正将追究其法律责任和经济赔偿。
东正众多技术设计, 都具有专利保护, 如有抄袭, 东正必将追究法律责任和经济赔偿。