



无菌由任

Aseptic Union series

国家高新技术企业 浙江省著名商标
www.cndonjoy.com



东正一直致力于技术进步，是您值得信赖的事业伙伴！
Donjoy committing to major technological advances, is your reliable business partner!

0.1	自控调节阀+控制器 Automatic control regulating valve +Control head
0.2	生物制药隔膜阀 Biopharmaceutical diaphragm valve
0.3	高洁净泵 High purity pumps
0.4	防混蝶阀+蝶阀 Mixing proof butterfly valve +Butterfly valve
0.5	球阀 Ball valve
0.6	截止换向阀+防混阀+罐底阀 Divert seat valve+Mixing proof valve +Tank bottom valve
0.7	角座阀+截止阀 Angle seat valve+Globe valve
0.8	止回阀+恒压阀+安全阀+减压阀 Check valve+constant pressure valve+safety valve +air release valve
0.9	清洁技术+取样阀+视镜+照明技术 Clean technology+sample valve+sight glass +lighting technology
0.10	过滤器+人孔 Filter+man hole cover(manway)
0.11	卫生管件 Sanitary fittings ASME BPE DIN11852 Bs4825 SMS ISO IDF 3A



注意：
目录技术资料仅供设计参考，
设计更新和技术升级恕不另行通知！

东正始终坚持以不断革新的技术、日新月异的市场发展和客户需求是当今我们面临的最大挑战。面对这些挑战我们信心十足，因为东正高度专业化的产品和技术创新，是我们未来将以更高、更优的产品来满足不断增长的市场需求。

Technological innovation, rapid development of the market and customer needs are the greatest challenges facing us today. Facing with these challenges we are confident, because of highly professional products and technological innovation, we will meet the growing demand of market and customer with our better and better products.

法律声明：
目录样册版本属东正所有，如有抄袭东正将追究其法律责任和经济赔偿。东正已获得国家版权局书刊号。
东正众多技术设计，都具有专利保护，如有抄袭，东正必将追究法律责任和经济赔偿。

领先源于创新 创新源于专业
东正的专业与品质的邂逅源于创新的精神



现代化工厂已经投产，期待您的光临！
温州空港经济园区生产基地
Wenzhou airport economic zone production base

占地面积29000m²，总投资1.2亿元，新引进工业机器人、5轴加工中心、机器人抛光设备。

Covering an area of 29000 m², with total investment after construction is expected to 120 million yuan, introduces new industrial robot, five axis machining center, machine Polishing equipment.

东正创立于1993年，注册资金5508万，是一家专注于研发高品质PID过程控制器、阀门定位器、流量控制器，阀门控制单元，高洁净过程控制阀、智能自控阀，高洁净泵、高洁净管材和管道配件。公司高度专业化的产品和技术专注于生物制药、食品饮料、酿酒、精细化工等工业领域。东正众多的创新解决方案，对满足全球，尤其是新兴市场不断增长生物制药和食品饮料行业的需求起到了积极作用。

东正制造的产品母材料、加工技术、焊接技术、表面处理等技术指标均已达到国内外先进水平。且符合ASME BPE、EHEDG、FDA、3A等一系列国际标准和规范要求，先后通过了由德国 TÜV机构实施的欧盟承压设备指令(PED-97/23/EC)和(MD-06/42/EC)认证、美国 3A机构实施的3-A卫生标准认证、中国安全阀特种制造设备(TS)许可证和中国质量认证中心CQC ISO9001:2008 质量管理体系认证等多项国际权威认证。

东正凭借先进的技术、优异的品质和完善的售后服务体系，先后被评定为国家高新技术企业，省著名商标、省科技型企业、创新型企业、专利示范企业、研发中心企业，守合同重信用AAA企业等众多荣誉。



关于东正 About DONJOY

Donjoy was built up in 1993, with registered capital RMB 55.08 millions. We focus on developing high quality PID process controller, the valve positioner, the flow controller, the valve control unit, high purity process control valve, intelligent self-control valve, high purity pump, high purity tubing fitting and pipeline accessories. Donjoy's products and technologies are widely used in biopharmaceutical, food, drink, wine fine chemicals and other industrial fields. Donjoy's innovation solutions meet the growing demand of the industry of biopharmaceutical, food and beverage from the whole world, especially the emerging market.

Raw material, processing technology, welding technology, surface treatment from Donjoy have achieved advanced levels of domestic and foreign market. Donjoy productions according to ASME BPE, EHEDG, FDA and 3A standard, get certificate of PED-97/23/EC and MD-06/42/EC issued by TUV, 3A issued by 3A organization, TS licence and ISO9001:2008.

Donjoy with advanced technology, excellent quality and perfect after-sales service system, has been assessed as the national high-tech enterprises, the Provincial Famous Trademark, the Provincial Science and Technology Enterprises, Innovative Enterprises, Patent Model Enterprises, R & D Center, AAA Credit Enterprises.



创立于2005年现代化工厂
温州滨海经济开发区生产基地
Wenzhou binhai economic development zone production base

DONJOY high-purity valve, pump, control system, pipe and accessories, provide the most excellent solution for various business scopes.



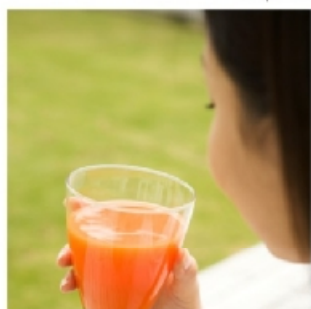
Biopharmaceutical



Dairy



Food



Beverage



Water Processing



Brewing



Fine Chemical

制造与检验 Manufacturing and testing



机器人生产线 Robot production line

全自动弯管设备 Automatic pipe bending equipment

DONJOY以科学技术是第一生产力，也是企业核心竞争力，只有不断投入核心技术研发和创新，不断追求卓越，精益求精、以先进生产设备，严格的质量管理体系，精密的生产检测流程，保证每一款产品优良的性能。

Science and technology constitute a primary productive force, also the core competitive strength of the enterprise. Continuously intensifying the research, development and innovation of core technology, pursuing prominence and keeping improving, ensuring the excellent quality and performance of every single product by advanced production equipment, strict quality control and precise production and inspection procedures.



至精 至洁 历久弥新

20多年的经验是您值得信赖的品牌-DONJOY

东正管件系列产品已全部通过美国-3A-63-03认证；橡胶垫圈FDA 177.2600，PTFE垫圈FDA177.1550。

材质：304、316L、1.4301、1.4404、1.4435 NB2 Fe<0.5%

表面处理：机抛光 DIN 11866 HE3c HE4c HE5c, ASME BPE SFF1 SFF2 SFF3

电抛光 DIN 11866 HE3c HE4c HE5c, ASME BPE SFF4 SFF5 SFF6



异形管件系列
(定制品)



卡箍式管件
Clamp pipe fittings



管件系列
DIN SMS ISO
BS4825 3A



无菌系列-
由任-法兰-卡箍由任
Aseptic series-Union-
Flange-Clamp union

BPE管件
BPE pipe fitting



由任
Union



管支架
Pipe holder



I-Line管件系列
I-line fittings



斜座式密封3A由任
Bevel seal ferrules



卫生钢管
Tube



材质和连接标准

Material and connectivity standards

材质有多种选项

- ◆ 1.4435-BN2 (316L) Fe < 0.5% Forged
- ◆ ASME BPE 316L
- ◆ ASTM 304, 1.4301
- ◆ ASTM 316L 1.4404

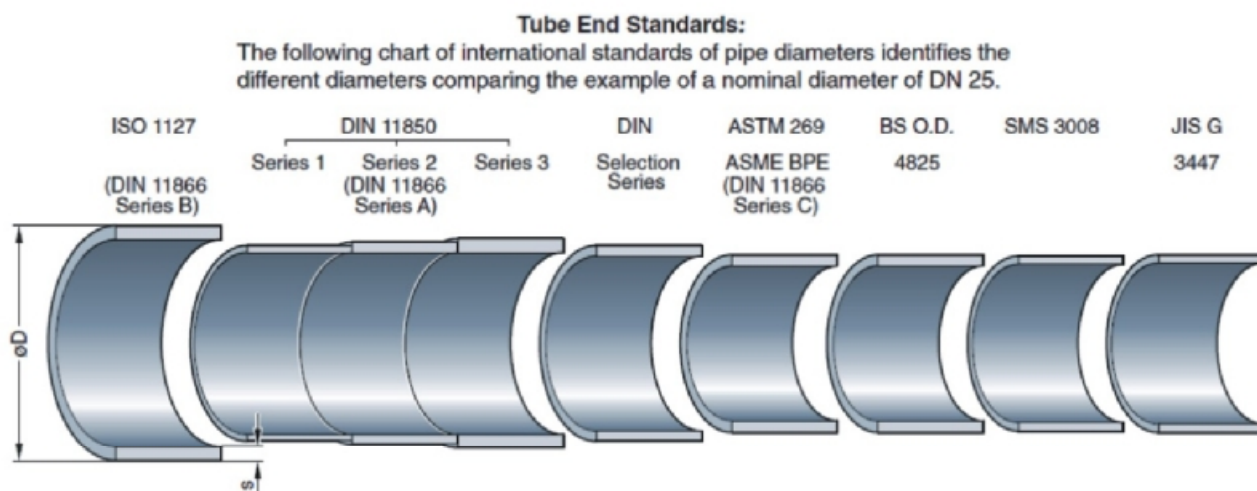
不锈钢化学成分规范
Chemical composition for automatic weld ends, %

根据ASDME BPE Table DT-3		EN 10088-3 1.4435 NB2 Fe≤0.5%	
Carbon, max	0.035	Carbon, max	< 0.03
chromium	16.00-18.00	chromium	16.00-18.00
manganese, max	2.00	manganese, max	2.00
molybdenum	2.00-3.00	molybdenum	2.5-3.0
nickel	10.00-15.00	nickel	12.5-14.0
phosphorus, max	0.045	phosphorus, max	0.045
silicon, max	1.00	silicon, max	1.00
sulfur	0.005-0.017	sulfur	≤ 0.030
		nitrogen	< 0.11

管道接口标准 Pipeline end standard

下表格：以DN25为列的不同国际标准卫生级不锈钢管道直径的区别

Next form: Take DN25 for example to illustrate the stainless steel pipe OD difference in different International standard health grade



表面处理

Surface treatment

表面处理

Surface treatment

对高洁净的工艺管路系统来说，表面的粗糙度是极其重要的技术指标
 For high clean process piping system, the roughness of the surface is an extremely important technique index



Surface finish: machined,
Ra 1.2 μm



Surface finish: machined,
Ra 0.8 μm



Surface finish: fine-machined,
and grinded, Ra 0.4 μm



Surface finish: fine-machined,
and grinded, Ra 0.2 μm



表面抛光 Surface polishing

Ra=粗糙度
 平均粗糙度Ra值被作为衡量一个内表面光洁度的一个参数。
 LT5.6mm 长度/测量Lc0.8mm进行5次测量粗糙度得出的平均值粗
 糙度Ra值。
 根据ASME BPE和DIN 11866。

Ra = roughness
 Average roughness Ra data is used as a measure of valve body
 surface finish of a parameter.
 LT5.6 mm length/measurement Lc0.8 mm for five measuring
 roughness obtained average roughness Ra data.
 According ASME BPE table to classified

Definition of the codes for Ra-Values

Allocation to the standard DIN 11866

Ra μm	DIN 11866	α
	Hygiene class	E-polished
0.8		
0.8	HE3c	●
0.6		
0.6		●
0.4		
0.4	HE4c	●
0.25		
0.25	HE5c	●

Table SF-2.4-1 R_a Readings for Metallic Product Contact Surfaces

Surface Designation	Mechanically Polished [Note (1)]	
	R _a Max.	
	μ in.	μ m
SF0	No finish requirement	No finish requirement
SF1	20	0.51
SF2	25	0.64
SF3	30	0.76
	Mechanically Polished [Note (1)] and electropolished	
	R _a Max.	
	μ in.	μ m
SF4	15	0.38
SF5	20	0.51
SF6	25	0.64



无菌系列 Sterile series

高洁净无菌系列连接组件 High purity aseptic series connecting component

无菌法兰、卡箍由任、螺纹由任，满足于ASME BPE无菌要求和3A-63-03-认证。
该系列管件无菌、无死角、无滞留设计，接口尺寸连接 DIN 11866，
ASME BPE，ISO2037，等管道标准。

Aseptic flange, clamp union, thread union, meet the aseptic requirement of the
ASME BPE and 3A-63-03 authentication. The pipe fitting is aseptic, dead angle, no retention
of these series, interface size connect DIN11866, ASME BPE, ISO2037, etc.
standard of pipe fitting.



无菌系列 Sterile series



技术优势 Technological advantage

无菌连接器和罐体连接器系列产品，为解决极其复杂的罐设备仪器安装和工艺管路连接而设计，该连接器具有无菌、无死角、可重复拆装等优势。

Aseptic connector and tank connector series product, designed for solving extremely complex tank equipment & instrument installation, and process connection. Advantage of these connectors is aseptic, no dead angle, repeated disassembly & assembly and so on.

SIZE: DN10-1/2".....DN150-6"

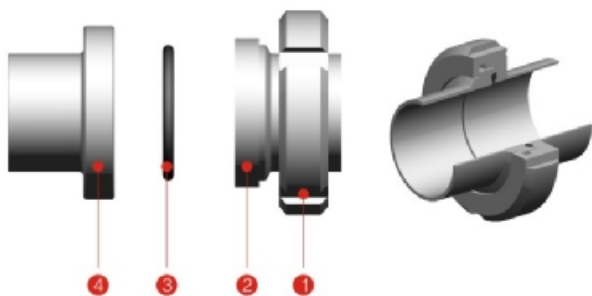
Material: ASME BPE 316L 1.4435 NB2 Fe \leq 0.5% 1.4301(304) 1.4404(316L)

Gasket: EPDM VITON SILICON HNBR

Standard: DIN 11864/DIN11853; OD DIN11866 /11850/ASME BPE ISO2037 BS4825

Certification: 3-A-63-03; FDA177.2600 ; FDA177.15500

无菌由任 Aseptic union



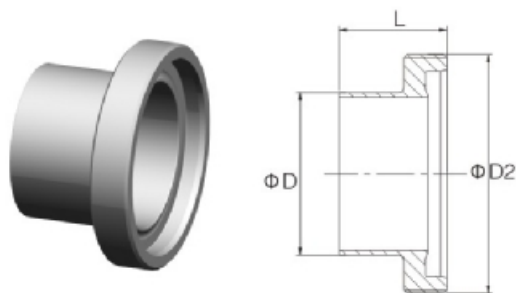
编号 Number	名称 Name	推荐材质 Recommend material	可选材质 Optional materail		
1#	螺母 Nut	304	316L	1.4435	ASME BPE 316L
2#	平接头 Liner	316L	304	1.4435	ASME BPE 316L
3#	垫圈 Gasket	EPDM	Silicon	Vitong	HNBR
4#	螺纹接头 Male	316L	304	1.4435	ASME BPE 316L

注意：螺母适用于DIN 11851，只要是螺纹尺寸对应即可使用；
Notice: nut is suitable for DIN11851, it can use as long as thread size match

无菌由任-螺纹接头(短型) Aseptic union short male

适用于Apply to: DIN 11853-1; (OD=ASME BPE; 3A; ISO; BS)-C系列 C series

代码Code : F040621-000000

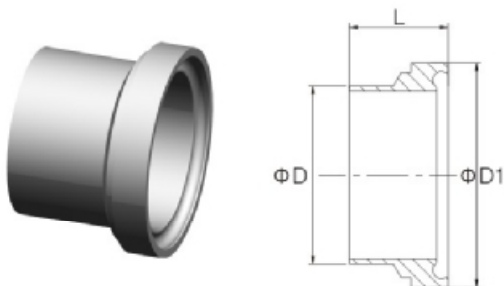


SIZE	D2	L	D
1/2"	Rd28 × 1/8	19	12.7
3/4"	Rd34 × 1/8	19	19.1
1"	Rd52 × 1/6	26	25.4
1.5"	Rd65 × 1/6	31	38.1
2"	Rd78 × 1/6	31	50.8
2.5"	Rd95 × 1/6	36	63.5
3"	Rd110 × 1/4	42	76.2
4"	Rd130 × 1/4	50	101.6

无菌由任-平接头(短型) Aseptic union short liner

适用于Apply to: DIN 11853-1; (OD=ASME BPE; 3A; ISO; BS)C系列 C series

代码Code : F040622-000000



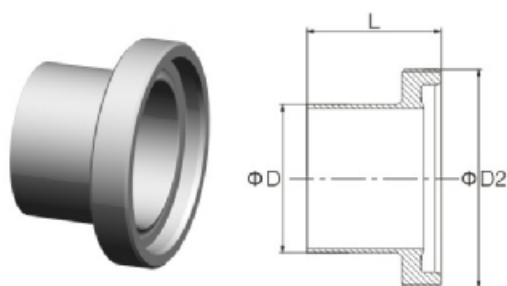
SIZE	L	D
1/2"	17	12.7
3/4"	17	19.1
1"	22	25.4
1.5"	26	38.1
2"	30	50.8
2.5"	34	63.5
3"	38	76.2
4"	46	101.6

无菌系列 Sterile series

无菌由任-螺纹接头(长型) Aspetic union long male

适用于Apply to: DIN11864-1; (OD=ASME BPE; 3A; ISO; BS)-C系列 C series

代码Code : F040651-000000

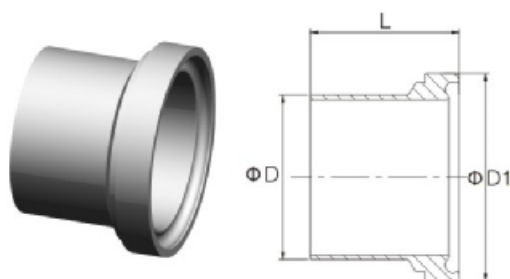


SIZE	D2	L	D
1/2"	Rd28 × 1/8	41	12.7
3/4"	Rd34 × 1/8	41	19.1
1"	Rd52 × 1/6	43	25.4
1.5"	Rd65 × 1/6	48.5	38.1
2"	Rd78 × 1/6	48.5	50.8
2.5"	Rd95 × 1/6	60	63.5
3"	Rd110 × 1/4	64	76.2
4"	Rd130 × 1/4	64	101.6

无菌由任-平接头(长型) Aspetic union long liner

适用于Apply to: DIN11864-1; (OD=ASME BPE; 3A; ISO; BS)-C系列 C series

代码Code : F040652-000000

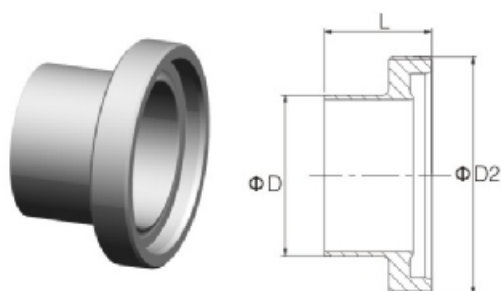


SIZE	L	D
1/2"	39	12.7
3/4"	39	19.1
1"	40	25.4
1.5"	46.5	38.1
2"	47.5	50.8
2.5"	63	63.5
3"	61	76.2
4"	66	101.6

无菌由任-螺纹接头(短型) Aspetic union short male

适用于Apply to: DIN 11853-1; (OD=DIN 11866 DIN 11850)A系列 A series

代码Code : F020621-000000

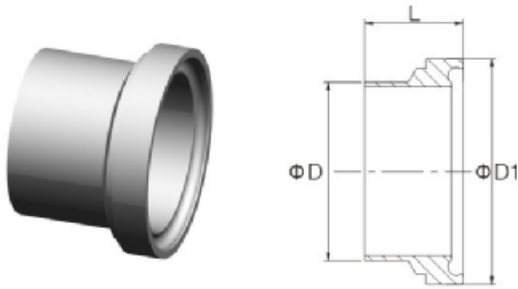


SIZE	D2	L	D
DN10	Rd28 × 1/8	19	13.0
DN15	Rd34 × 1/8	19	19.0
DN20	Rd44 × 1/6	21	23.0
DN25	Rd52 × 1/6	26	29.0
DN32	Rd58 × 1/6	30	35.0
DN40	Rd65 × 1/6	31	41.0
DN50	Rd78 × 1/6	31	53.0
DN65	Rd95 × 1/6	36	70.0
DN80	Rd110 × 1/4	42	85.0
DN100	Rd130 × 1/4	50	104.0

无菌由任-平接头(短型) Aspetic union short liner

适用于Apply to: DIN 11853-1; (OD=DIN 11866 DIN 11850)-A系列

代码Code : F020622-000000

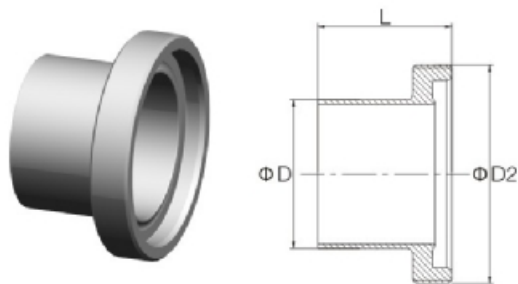


SIZE	L	D
DN10	17	13.0
DN15	17	19.0
DN20	18	23.0
DN25	22	29.0
DN32	25	35.0
DN40	26	41.0
DN50	30	53.0
DN65	34	70.0
DN80	38	85.0
DN100	46	104.0

无菌由任-螺纹接头(长型) Aspetic union long male

适用于Apply to: DIN11864-1; (OD=DIN 11866 DIN 11850)-A系列 A series

代码Code : F020651-000000

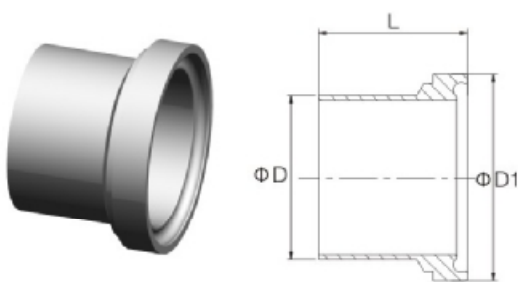


SIZE	D2	L	D
DN10	Rd28 × 1/8	41	13.0
DN15	Rd34 × 1/8	41	19.0
DN20	Rd44 × 1/6	43	23.0
DN25	Rd52 × 1/6	43	29.0
DN32	Rd58 × 1/6	48	35.0
DN40	Rd65 × 1/6	48	41.0
DN50	Rd78 × 1/6	48	53.0
DN65	Rd95 × 1/6	60	70.0
DN80	Rd110 × 1/4	64	85.0
DN100	Rd130 × 1/4	64	104.0

无菌由任-平接头(长型) Aspetic union long liner

适用于Apply to: DIN11864-1; (OD=DIN 11866 DIN 11850)-A系列 A series

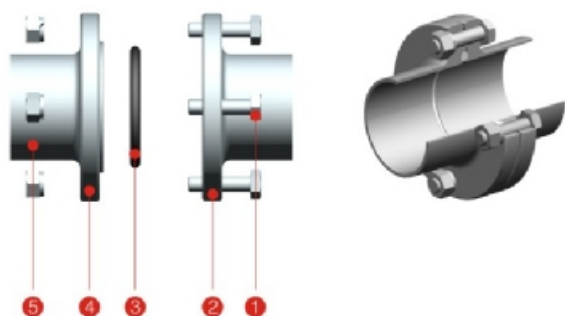
代码Code : F020652-000000



SIZE	L	D
DN10	39	13.0
DN15	39	19.0
DN20	38	23.0
DN25	40	29.0
DN32	47	35.0
DN40	47	41.0
DN50	48	53.0
DN65	61	70.0
DN80	61	85.0
DN100	66	104.0

无菌系列 Sterile series

无菌法兰 Aseptic flange

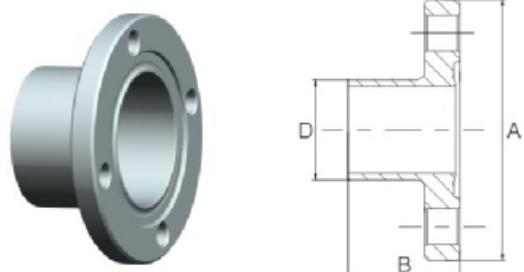


编号 Number	名称 Name	推荐材质 Recommend material	可选材质 Optional material		
1#	螺栓 Bolt	304	NO		
2#	凹法兰 Concave flange	316L	304	1.4435	ASME BPE 316L
3#	垫圈 Gasket	EPDM	Silicon	Vitong	HNBR
4#	凸法兰 Convex flange	316L	304	1.4435	ASME BPE 316L
5#	螺母 Nut	304	NO		

无菌法兰-凹面(短型) Short type concave aseptic flange

适用于Apply to: DIN 11853-2; (OD=ASME BPE; 3A; ISO; BS)-C系列 C series

代码Code : F040601-000000

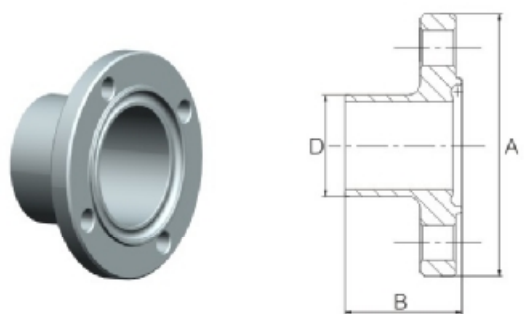


SIZE	A	B	D
1/2"	54	24.0	12.7
3/4"	59	24.0	19.1
1"	66	24.0	25.4
1.5"	79	24.0	38.1
2"	92	24.0	50.8
2.5"	107	24.0	63.5
3"	125	24.0	76.2
4"	157	26.0	101.6

无菌法兰-凸面(短型) Short type convex aseptic flange

适用于Apply to: DIN 11853-2; (OD=ASME BPE; 3A; ISO; BS)-C系列 C series

代码Code : F040602-000000

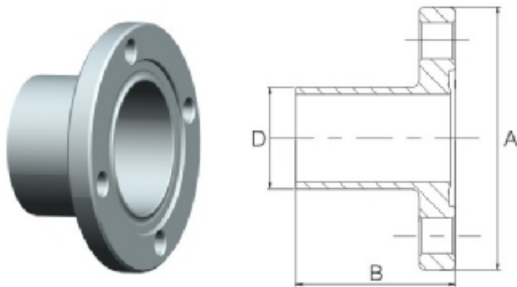


SIZE	A	B	D
1/2"	54	25.5	12.7
3/4"	59	25.5	19.1
1"	66	25.5	25.4
1.5"	79	25.5	38.1
2"	92	25.5	50.8
2.5"	107	25.5	63.5
3"	125	25.5	76.2
4"	157	27.5	101.6

无菌法兰-凹面(长型) Long type concave aseptic flange

适用于Apply to: DIN11864-2; (OD=ASME BPE; 3A; ISO; BS)-C系列 C series

代码Code : F040631-000000

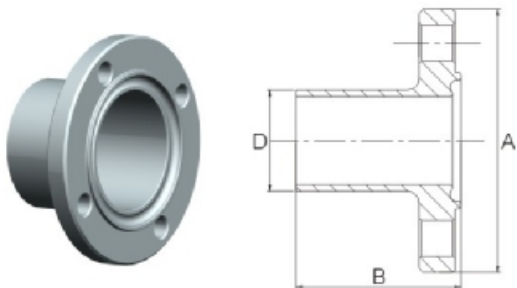


SIZE	A	B	D
1/2"	54	40.0	12.7
3/4"	59	40.0	19.1
1"	66	40.0	25.4
1.5"	79	45.0	38.1
2"	92	45.0	50.8
2.5"	107	54.0	63.5
3"	125	56.0	76.2
4"	157	58.0	101.6

无菌法兰-凸面(长型) Long type convex aseptic flange

适用于Apply to: DIN11864-2; (OD=ASME BPE; 3A; ISO; BS)-C系列 C series

代码Code : F040632-000000

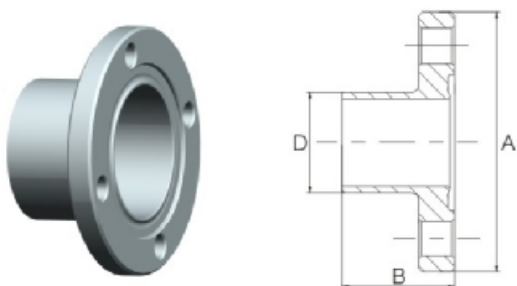


SIZE	A	B	D
1/2"	54	41.5	12.7
3/4"	59	41.5	19.1
1"	66	41.5	25.4
1.5"	79	46.5	38.1
2"	92	46.5	50.8
2.5"	107	55.5	63.5
3"	125	57.5	76.2
4"	157	59.5	101.6

无菌法兰-凹面(短型) Short type concave aseptic flange

适用于Apply to: DIN 11853-2; (OD=DIN 11866 DIN 11850)-A系列 C series

代码Code : F020601-000000



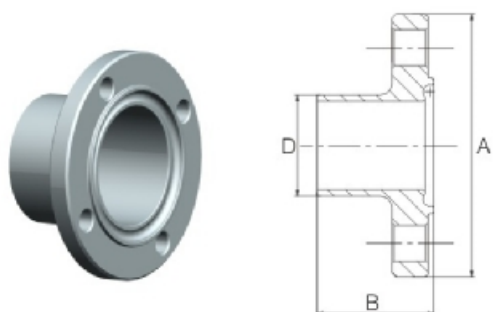
SIZE	A	B	D
DN10	54.0	24.0	13.0
DN15	59.0	24.0	19.0
DN20	64.0	24.0	23.0
DN25	70.0	24.0	29.0
DN32	76.0	24.0	35.0
DN40	82.0	24.0	41.0
DN50	94.0	24.0	53.0
DN65	113.0	24.0	70.0
DN80	133.0	26.0	85.0
DN100	159.0	26.0	104.0
DN125	183.0	28.0	129.0
DN150	213.0	28.0	154.0

无菌系列 Sterile series

无菌法兰-凸面(短型) Short type convex aseptic flange

适用于Apply to: DIN 11853-2; (OD=DIN 11866 DIN 11850)-A系列 A series

代码Code : F020602-000000

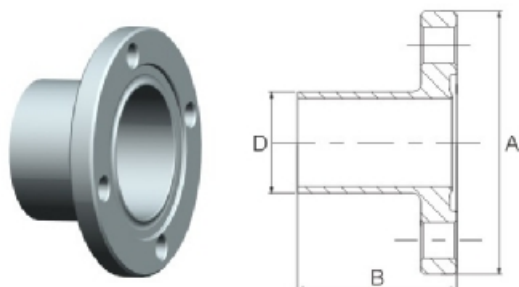


SIZE	A	B	D
DN10	54.0	25.5	13.0
DN15	59.0	25.5	19.0
DN20	64.0	25.5	23.0
DN25	70.0	25.5	29.0
DN32	76.0	25.5	35.0
DN40	82.0	25.5	41.0
DN50	94.0	25.5	53.0
DN65	113.0	25.5	70.0
DN80	133.0	27.5	85.0
DN100	159.0	27.5	104.0
DN125	183.0	29.5	129.0
DN150	213.0	29.5	154.0

无菌法兰-凹面(长型) Long type concave aseptic flange

适用于Apply to: DIN11864-2; (OD=DIN 11866 DIN 11850)-A系列 A series

代码Code : F020631-000000

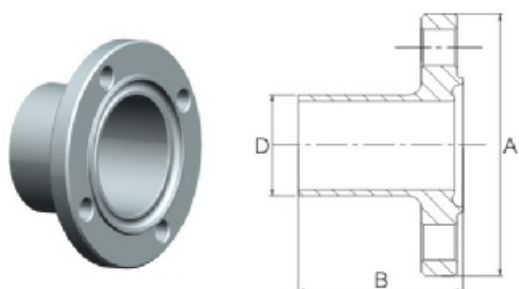


SIZE	A	B	D
DN10	54.0	40.0	13.0
DN15	59.0	40.0	19.0
DN20	64.0	40.0	23.0
DN25	70.0	40.0	29.0
DN32	76.0	45.0	35.0
DN40	82.0	45.0	41.0
DN50	94.0	45.0	53.0
DN65	113.0	54.0	70.0
DN80	133.0	58.0	85.0
DN100	159.0	58.0	104.0
DN125	183.0	60.0	129.0
DN150	213.0	60.0	154.0

无菌法兰-凸面(长型) Long type convex aseptic flange

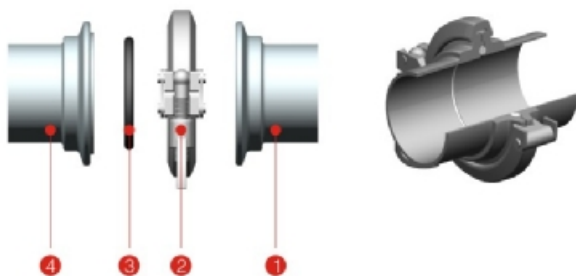
适用于Apply to: DIN11864-2; (OD=DIN 11866 DIN 11850)-A系列 A series

代码Code : F020632-000000



SIZE	A	B	D
DN10	54.0	41.5	13.0
DN15	59.0	41.5	19.0
DN20	64.0	41.5	23.0
DN25	70.0	41.5	29.0
DN32	76.0	46.5	35.0
DN40	82.0	46.5	41.0
DN50	94.0	46.5	53.0
DN65	113.0	55.5	70.0
DN80	133.0	59.5	85.0
DN100	159.0	59.5	104.0
DN125	183.0	61.5	129.0
DN150	213.0	61.5	154.0

无菌卡箍由任 Aseptic clamp union



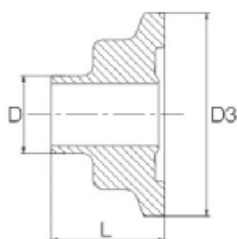
编号	名称	推荐材质 Recommend material	可选材质 Optional material		
1#	凹面接头 Concave ferrule	304	316L	1.4435	ASME BPE 316L
2#	卡箍 Clamp	316L	304	1.4435	ASME BPE 316L
3#	垫圈 Gasket	EPDM	Silicon	Vitong	HNBR
4#	凸面接头 Convex ferrule	316L	304	1.4435	ASME BPE 316L

注意：卡箍适用于DIN 32676&ASME BPE&BS4825-3&ISO2852；
只要是卡盘尺寸对应即可；
Notice: Clamp is suitable for .as long as clamp flange size
match and it can be use.

无菌卡箍接头-凹面(短型) Short type concave aseptic clamp ferrule

适用于Apply to: DIN 11853-3; (OD=ASME BPE; 3A; ISO; BS)-C系列 C series

代码Code : F040611-000000

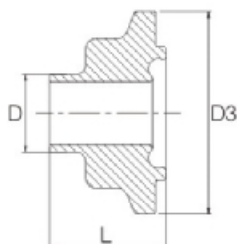


SIZE	D3	L	D
1/2"	34.0	22.0	12.7
3/4"	34.0	22.0	19.1
1"	50.5	22.0	25.4
1.5"	64.0	24.0	38.1
2"	77.5	24.5	50.8
2.5"	91.0	27.5	63.5
3"	106.0	28.5	76.2
4"	130.0	29.5	101.6

无菌卡箍接头-凸面(短型) Short type convex aseptic clamp ferrule

适用于Apply to: DIN 11853-3; (OD=ASME BPE; 3A; ISO; BS)-C系列 C series

代码Code : F040612-000000



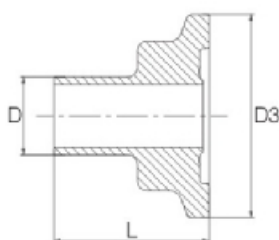
SIZE	D3	L	D
1/2"	34.0	23.5	12.7
3/4"	34.0	23.5	19.1
1"	50.5	23.5	25.4
1.5"	64.0	25.5	38.1
2"	77.5	26.0	50.8
2.5"	91.0	29.0	63.5
3"	106.0	30.0	76.2
4"	130.0	31.0	101.6

无菌系列 Sterile series

无菌卡箍接头-凹面(长型) Long type concave aseptic clamp ferrule

适用于Apply to: DIN 11864-3; (OD=ASME BPE; 3A; ISO; BS)-C系列 C series

代码Code : F040641-000000

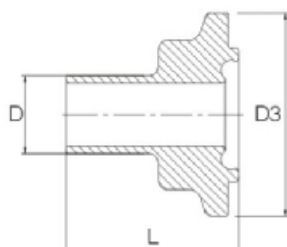


SIZE	D3	L	D
1/2"	34.0	38.0	12.7
3/4"	34.0	38.0	19.1
1"	50.5	38.5	25.4
1.5"	64.0	44.0	38.1
2"	77.5	44.5	50.8
2.5"	91.0	57.5	63.5
3"	106.0	58.5	76.2
4"	130.0	59.5	101.6

无菌卡箍接头-凸面(长型) Long type convex aseptic clamp ferrule

适用于Apply to: DIN 11864-3; (OD=ASME BPE; 3A; ISO; BS)-C系列 C series

代码Code : F040642-000000

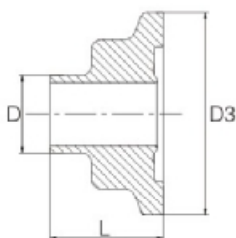


SIZE	D3	L	D
1/2"	34.0	39.5	12.7
3/4"	34.0	39.5	19.1
1"	50.5	40.0	25.4
1.5"	64.0	45.5	38.1
2"	77.5	46.0	50.8
2.5"	91.0	59.0	63.5
3"	106.0	60.0	76.2
4"	130.0	61.0	101.6

无菌卡箍接头-凹面(短型) Short type concave aseptic clamp ferrule

适用于Apply to: DIN 11853-3; (OD=DIN 11866 DIN 11850)-A系列 C series

代码Code : F020611-000000

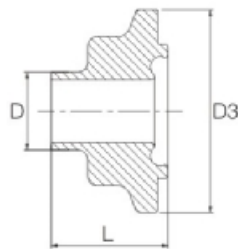


SIZE	D3	L	D
DN10	34.0	22.0	13.0
DN15	34.0	22.0	19.0
DN20	50.5	22.0	23.0
DN25	50.5	22.0	29.0
DN32	50.5	24.0	35.0
DN40	64.0	24.0	41.0
DN50	77.5	24.5	53.0
DN65	91.0	26.5	70.0
DN80	106.0	28.5	85.0
DN100	130.0	30.0	104.0

无菌卡箍接头-凸面(短型) Short type convex aseptic clamp ferrule

适用于Apply to: DIN 11853-3; (OD=DIN 11866 DIN 11850)-A系列 A series

代码Code : F020612-000000

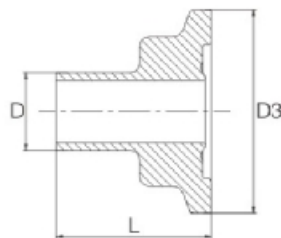


SIZE	D3	L	D
DN10	34.0	23.5	13.0
DN15	34.0	23.5	19.0
DN20	50.5	23.5	23.0
DN25	50.5	23.5	29.0
DN32	50.5	25.5	35.0
DN40	64.0	25.5	41.0
DN50	77.5	26.0	53.0
DN65	91.0	28.0	70.0
DN80	106.0	30.0	85.0
DN100	130.0	31.5	104.0

无菌卡箍接头-凹面(长型) Long type concave aseptic clamp ferrule

适用于Apply to: DIN 11864-3; (OD=DIN 11866 DIN 11850)-A系列 A series

代码Code : F020641-000000

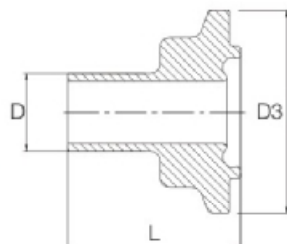


SIZE	D3	L	D
DN10	34.0	38.0	13.0
DN15	34.0	38.0	19.0
DN20	50.5	38.0	23.0
DN25	50.5	38.5	29.0
DN32	50.5	44.0	35.0
DN40	64.0	44.0	41.0
DN50	77.5	44.5	53.0
DN65	91.0	56.5	70.0
DN80	106.0	58.5	85.0
DN100	130.0	60.0	104.0

无菌卡箍接头-凸面(长型) Long type convex aseptic clamp ferrule

适用于Apply to: DIN 11864-3; (OD=DIN 11866 DIN 11850)-A系列 A series

代码Code : F020642-000000

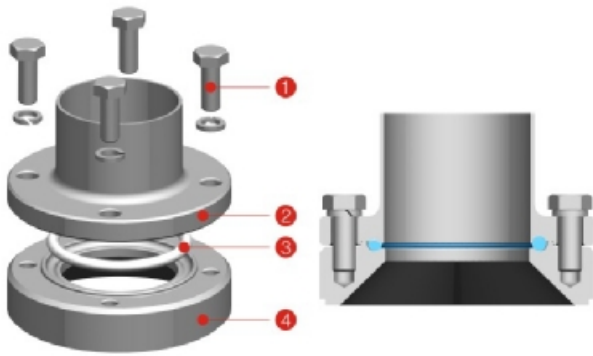


SIZE	D3	L	D
DN10	34.0	39.5	13.0
DN15	34.0	39.5	19.0
DN20	50.5	39.5	23.0
DN25	50.5	40.0	29.0
DN32	50.5	45.5	35.0
DN40	64.0	45.5	41.0
DN50	77.5	46.0	53.0
DN65	91.0	58.0	70.0
DN80	106.0	60.0	85.0
DN100	130.0	61.5	104.0

无菌系列 Sterile series



罐体-无菌法兰-连接器 Can-body/Aspetic flange/connector



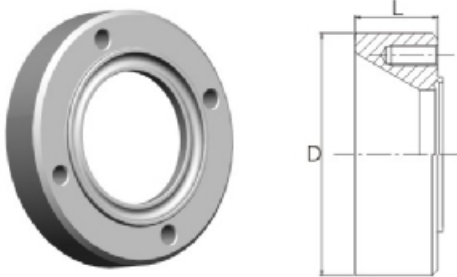
编号	名称	推荐材质 Recommend material	可选材质 Optional material			
1#	螺栓 Bolt	304	NO			
2#	凹法兰 Concave flange	316L	304	1.4435	ASME BPE 316L	
3#	垫圈 Gasket	EPDM	Silicon	Vitong	HNBR	
4#	凸面连接器 Convex connector	316L	304	1.4435	ASME BPE 316L	

注意：法兰适用于DIN 11853/11864-2系列
Notice: Flange is suitable for DIN 11853/11864-2 series

罐体-无菌法兰-连接器 Can-body/Aspetic clamp ferrule/connector

适用于Apply to: DIN 11853/DIN 11864-2; (OD=ASME BPE; 3A; ISO; BS)

代码Code : F040712-000-0001

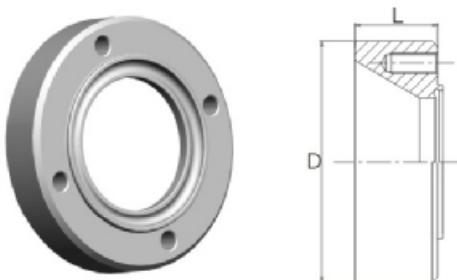


SIZE	D	L
1/2"	54	20
3/4"	59	20
1"	66	20
1.5"	79	20
2"	92	20
2.5"	107	20
3"	125	20
4"	157	20

罐体-无菌法兰-连接器 Can-body/Aspetic clamp ferrule/connector

适用于Apply to: DIN 11853/DIN 11864-2; (OD=DIN 11866 DIN 11850)

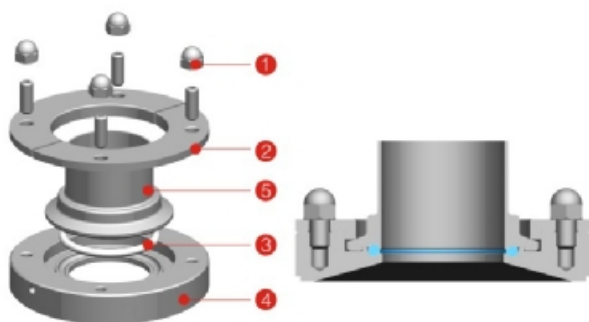
代码Code : F020712-000-0001



SIZE	D	L
DN10	54	20
DN15	59	20
DN20	64	20
DN25	70	20
DN32	76	20
DN40	82	20
DN50	94	20
DN65	113	20
DN80	133	20
DN100	159	20
DN125	183	20
DN150	213	20

罐体-无菌卡箍接头-连接器 Can-body/Asptic clamp ferrule/connector

适用于Apply to: DIN 11853/DIN11864-3 卡箍接头 Clamp ferrule



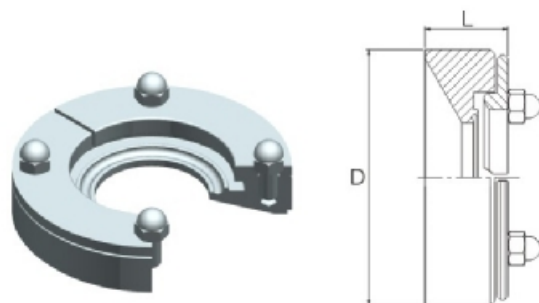
编号	名称	推荐材质 Recommend material	可选材质 Optional material		
1#	螺栓 Bolt	304	NO		
2#	压板 Clamp plate	316L	304	1.4435	ASME BPE 316L
3#	垫圈 Gasket	EPDM	Silicon	Vitong	HNBR
4#	连接器 Connector	316L	304	1.4435	ASME BPE 316L
5#	凹面接头 Concave ferrule	316L	304	1.4435	ASME BPE 316L

注意:卡箍接头适用于无菌系列DIN11853/DIN11864-3系列
Notice:Clamp ferrule is suitable for asptic series
DIN11853/DIN11864-3 series

罐体-无菌卡箍接头-连接器 Can-body/Asptic clamp ferrule/connector

适用于Apply to: DIN 11853/DIN 11864-3; (OD=ASME BPE; 3A; ISO; BS)

代码Code : F040702-000-0100

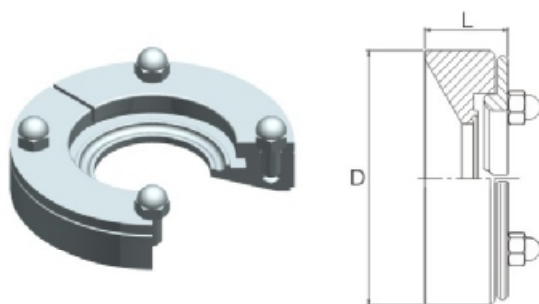


SIZE	D	L
1/2"	75.0	25.0
3/4"	75.0	25.0
1"	85.0	25.0
1.5"	100.0	25.0
2"	120.0	27.0
2.5"	135.0	27.0
3"	150.0	27.0
4"	170.0	27.0

罐体-无菌卡箍接头-连接器 Can-body/Asptic clamp ferrule/connector

适用于Apply to: DIN 11853/DIN 11864-3; (OD=DIN 11866 DIN 11850)

代码Code : F020702-000-0100



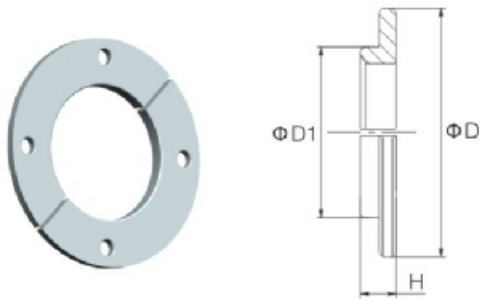
SIZE	D	L
DN10	75	25
DN15	75	25
DN20	85	25
DN25	85	25
DN32	85	25
DN40	100	25
DN50	120	27
DN65	135	27
DN80	150	27
DN100	170	27

无菌系列 Sterile series

罐体-无菌卡箍接头-压板 Can-body/Aspectic clamp ferrule/clamp plate

适用于Apply to: DIN 11853/DIN 11864-3; (OD=DIN 11866 DIN 11850)

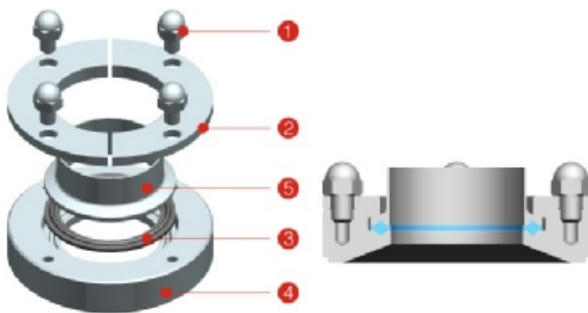
代码Code : F020702-000-0101



SIZE		D	H	D1
DN10-DN15	0.5"-0.75"	75	8	36
DN20-DN32	1"	85	8	53
DN40	1.5"	100	8	66
DN50	2"	120	8	80
DN65	2.5"	135	10	93
DN80	3"	150	10	108
DN100	4"	170	10	132

罐体-卡箍接头-连接器 Can-body/aspetic sight glass/connector

适合用Apply to: DIN 32676&3A&BPE&ISO 卡箍接头 Clamp ferrule



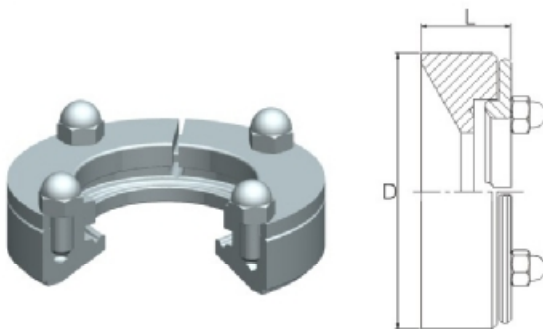
编号	名称	推荐材质 Recommend material	可选材质 Optional materail		
1#	螺栓 Bolt	304	NO		
2#	压板 Clamp plate	316L	304	1.4435	ASME BPE 316L
3#	垫圈 Gasket	EPDM	Silicon	Vitong	HNBR
4#	连接器 Connector	316L	304	1.4435	ASME BPE 316L
5#	卡箍接头 Clamp ferrule	316L	304	1.4435	ASME BPE 316L

注意: 卡箍接头适用于, DIN32676&ASME BPE &BS4825-3& ISO2852; 该标准就是常规通用的卡箍接头, 长度可以根据客户要求, 一般建议用28.6mm长度;
Notice: Clamp ferrule is suitable for DIN32676&ASME BPE & BS4825-3&ISO2852, the standard is common clamp ferrule, the length could be customized according to client's requirement, general recommend 28.6mm length

罐体-卡箍接头-连接器 Can-body/aspetic sight glass/connector

适用于Apply to: ASME BPE/3A/ BS2825-3/ ISO2852; (OD=ASME BPE; 3A; ISO; BS)

代码Code : F040732-000-0100

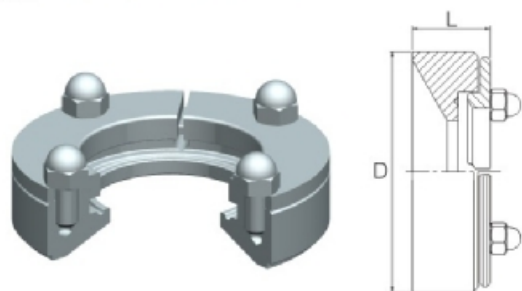


SIZE	D	L
1"	85	25
1.5"	85	25
2"	100	25
2.5"	120	27
3"	135	27
4"	160	27

罐体-卡箍接头-连接器 Can-body/aseptic sight glass/connector

适用于Apply to: DIN 32676(OD=DIN 11866 DIN 11850)

代码Code : F020732-000-0100

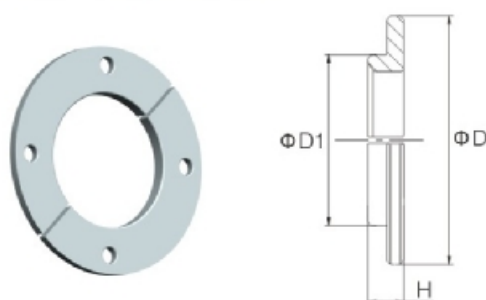


SIZE	D	L
DN10	75.0	25.0
DN15	75.0	25.0
DN20	75.0	25.0
DN25	85.0	25.0
DN32	85.0	25.0
DN40	85.0	25.0
DN50	100.0	25.0
DN65	135.0	27.0
DN80	150.0	27.0
DN100	160.0	27.0

罐体-卡箍接头-压板 Can-body/clamp ferrule/clamp plate

适用于Apply to: DIN 11853/DIN 11864-3; (OD=DIN 11866 DIN 11850)

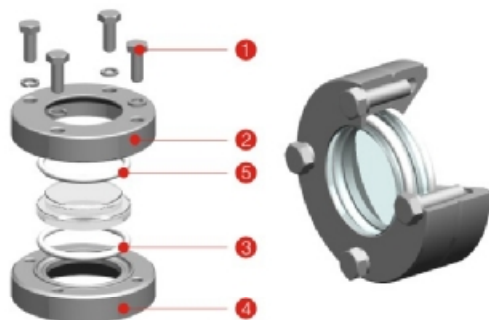
货号代码Code : F020702-000-0101



SIZE		D	L	D1
DN10-DN20	-	75	8	36
DN25-DN40	1"-1.5"	85	8	53
DN50	2"	100	8	66
-	2.5"	120	8	79
DN65	3"	135	10	93
DN80	-	150	10	108
DN100	4"	160	10	121

罐体-无菌视镜-连接器 Can-body/aseptic sight glass/connector

适合用Apply to: DIN 32676&3A&BPE&ISO 卡箍接头 Clamp ferrule



编号	名称	推荐材质 Recommend material	可选材质 Optional materail			
1#	螺栓 Bolt	304	NO			
2#	玻璃压盖 Glass cover	304	316L			
3#	垫圈 Gasket	EPDM	Silicon	Vitong	HNBR	
4#	玻璃 Glass	硼硅钢化玻璃 Borosilicate glass				
5#	连接器 Connector	316L	304	1.4435	ASME BPE	316L

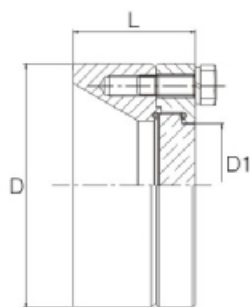
注意: 罐体连接器适用于罐体法兰连接器, 如客户购买的是罐体连接器, 后期也可以更换成罐体-无菌视镜; 压力等级=10bar; 温度最高=130°C;
Notice: Tank connector is apply to tank flange connector, such as client purchase tank connector, the late can also be replaced with tank aseptic sight glass. Pressure 10 bar, max temperature 130°C

无菌系列 Sterile series

罐体-无菌视镜-连接器 Can-body/aseptic sight glass/connector

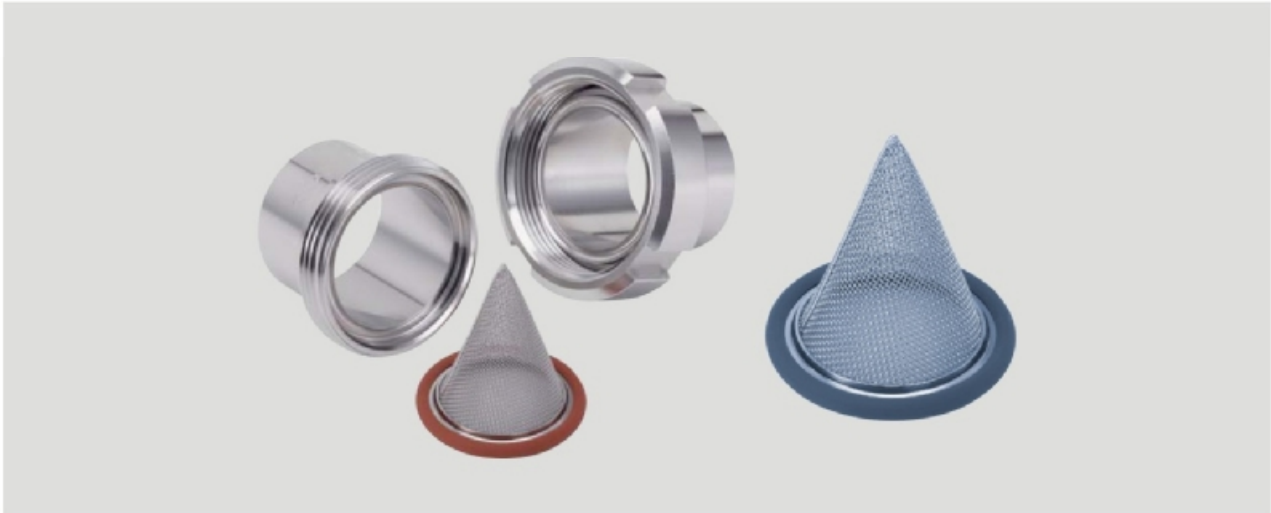
适用于Apply to: DIN ASME BPE ISO 3A 等标准

货号代码Code : VSJ710N1



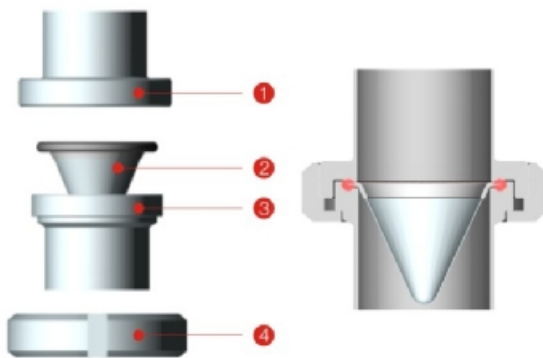
	SIZE	D	L
DN10	1/2"	54.0	36
DN15	3/4"	59.0	36
DN20	-	64.0	36
DN25	1"	70.0	36
DN32	-	76.0	38
DN40	1.5"	82.0	38
DN50	2"	94.0	38
DN65	2.5"	113.0	38
DN80	3"	133.0	38
DN100	4"	159.0	38





无菌-螺纹由任-过滤器 Aseptic thread union filter

适合用Apply to: DIN 32676&3A&BPE&ISO 卡箍接头 Clamp ferrule



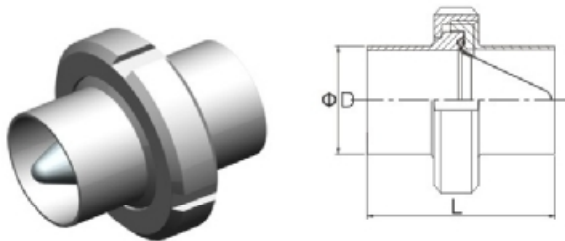
编号	名称	推荐材质 Recommend material	可选材质 Optional material			
1#	螺纹接头 Male	304	NO			
2#	过滤网 Filter screen	304	316L			
3#	平接头 Liner	EPDM	Silicon	Vitong	HNBR	
4#	螺母 Nut	316L	304	1.4435	ASME BPE 316L	

注意: 1)由任通用于DIN11864-1(OD尺寸可根据客户要求选择,如DIN &ASMEBPE&inch等); 2)滤芯可根据客户选择 100目到300目, 推荐为100目。
Notice: 1) Union is use for DIN11864-1 (OD size can be selected according to customer requirements, such as DIN & ASME BPE & INCH, etc. ; 2) filter element 100 mesh to 300 mesh can be selected according to customer, recommended for 100 mesh)

无菌-螺纹由任-过滤器

适用于Apply to: DIN 标准 Standard

货号代码Code : DIN-EGL610



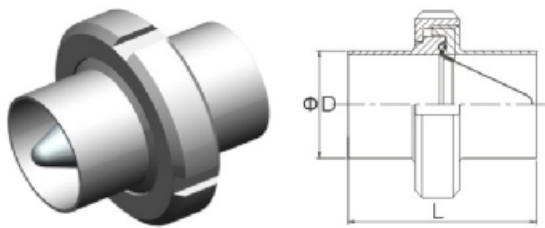
SIZE	D	L
DN10	13.0	76
DN15	19.0	76
DN20	23.0	76
DN25	29.0	77
DN32	35.0	88
DN40	41.0	88
DN50	53.0	89
DN65	70.0	113
DN80	85.0	117
DN100	104.0	120

无菌系列 Sterile series

无菌-螺纹由任-过滤器 Aseptic thread union filter

适用于Apply to: ASME BPE ISO 3A 等标准 ASME BPE ISO 3A standard

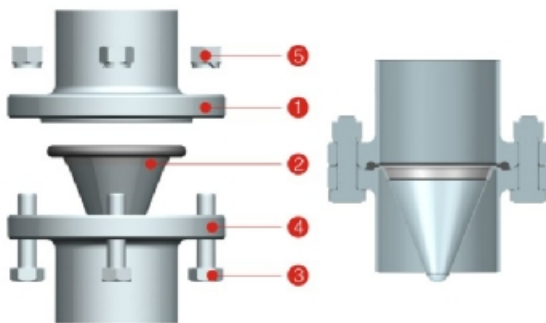
货号代码Code : 3A-EGL610



SIZE	D	L
1/2"	12.7	76
3/4"	19.1	76
1"	25.4	77
1.5"	38.1	88
2"	50.8	89
2.5"	63.5	115
3"	76.2	117
4"	101.6	119

无菌法兰-过滤器 Aseptic flange filter

适合用Apply to: DIN 32676&3A&BPE&ISO 卡箍接头 Clamp ferrule



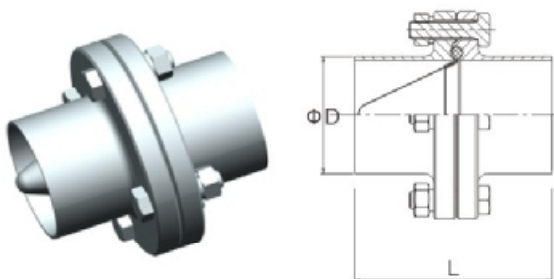
编号	名称	推荐材质 Recommend material	可选材质 Optional material		
1#	凸法兰 Convex flange	316L	304	1.4435	ASME BPE 316L
2#	过滤网 Filter screen	316L	304		
3#	螺栓 Bolt	304			
4#	凹法兰 Concave flange	316L	304	1.4435	ASME BPE 316L
5#	螺母 Nut	304			NO

注意: 1)由任通用于DIN11864-2(OD尺寸可根据客户要求选择,如DIN &ASMEBPE&inch等); 2)滤芯可根据客户选择 100目到300目, 推荐为100目。
Notice: 1) Union is use for DIN11864-2 (OD size can be selected according to customer requirements, such as DIN & ASME BPE & INCH, etc. ; 2) filter element 100 mesh to 300 mesh can be selected according to customer, recommended for 100 mesh)

无菌-法兰-过滤器 Aseptic flange filter

适用于Apply to: DIN

货号代码Code : DIN-EGL620

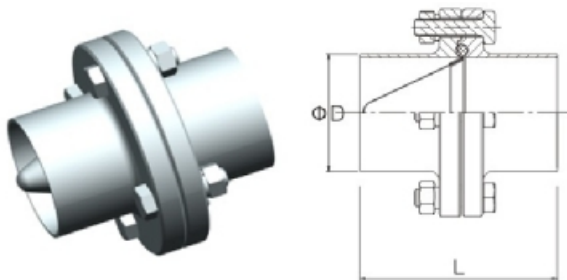


SIZE	D	L
DN10	13.0	80.0
DN15	19.0	80.0
DN20	23.0	80.0
DN25	29.0	80.0
DN32	35.0	90.0
DN40	41.0	90.0
DN50	53.0	90.0
DN65	70.0	108.0
DN80	85.0	116.0
DN100	104.0	116.0
DN125	183.0	120.0
DN150	213.0	120.0

无菌-法兰-过滤器 Asptic flange filter

适用于Apply to: ASME BPE ISO 3A 等标准 ASME BPE ISO 3A standard

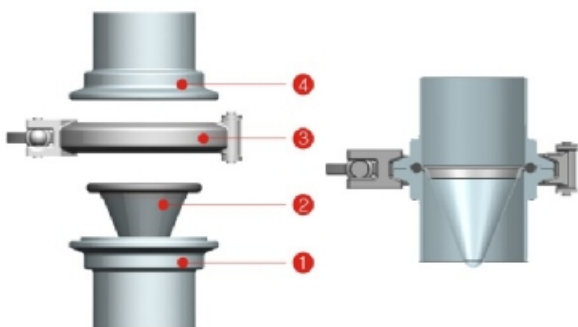
货号代码Code : 3A-EGL620



SIZE	D	L
1/2"	12.7	80.0
3/4"	19.1	80.0
1"	25.4	80.0
1.5"	38.1	90.0
2"	50.8	90.0
2.5"	63.5	108.0
3"	76.2	112.0
4"	101.6	116.0

无菌卡箍由任-过滤器 Asptic clamp ferrule filter

适合用Apply to: DIN 32676&3A&BPE&ISO 卡箍接头 Clamp ferrule



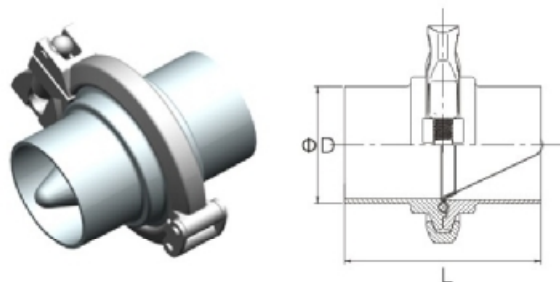
编号	名称	推荐材质 Recommend material	可选材质 Optional materail		
1#	凸法兰 Convex flange	316L	304	1.4435	ASME BPE 316L
2#	过滤网 Filter screen	316L	304		
3#	卡箍 Clamped	304	316L	NO	
4#	凹法兰 Concave flange	316L	304	1.4435	ASME BPE 316L

注意: 1)由任通用于DIN11864-1(OD尺寸可根据客户要求选择, 如DIN &ASMEBPE&inch等); 2)滤芯可根据客户选择 100目到300目, 推荐为100目。
Notice: 1) Union is use for DIN11864-1 (OD size can be selected according to customer requirements, such as DIN & ASME BPE & INCH, etc .; 2) filter element 100 mesh to 300 mesh can be selected according to customer, recommended for 100 mesh)

无菌卡箍由任-过滤器 Asptic clamp ferrule filter

适用于Apply to: DIN 标准 Standard

货号代码Code : DIN-EGL630



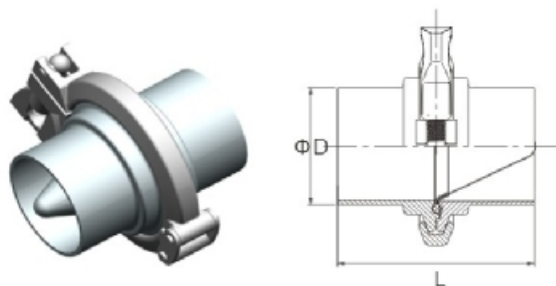
SIZE	D	L
DN10	13.0	76.0
DN15	19.0	76.0
DN20	23.0	76.0
DN25	29.0	77.0
DN32	35.0	88.0
DN40	41.0	88.0
DN50	53.0	89.0
DN65	70.0	113.0
DN80	85.0	117.0
DN100	104.0	120.0

无菌系列 Sterile series

无菌卡箍由任-过滤器 Asptic clamp ferrule filter

适用于Apply to: ASME BPE ISO 3A 等标准 ASME BPE ISO 3A standard

货号代码Code : 3A-EGL630



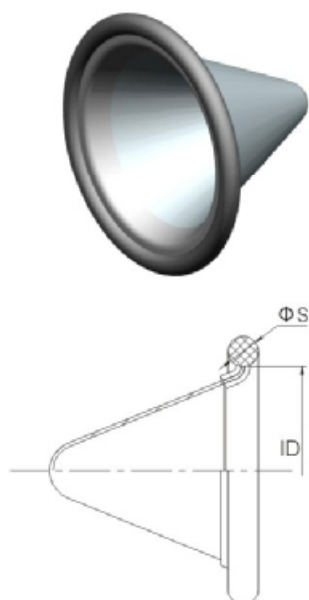
SIZE	D	L
1/2"	12.7	76.0
3/4"	19.1	76.0
1"	25.4	77.0
1.5"	38.1	88.0
2"	50.8	89.0
2.5"	63.5	115.0
3"	76.2	117.0
4"	101.6	119.0

罐体连接器-无菌系列-无菌垫圈-带滤网 Tank connector/asptic series/asptic gasket with filter screen

适用于Apply to: DIN ASME BPE ISO 3A 无菌法兰&无菌螺纹由任&无菌卡箍由任 Asptic flange & asptic thread union & asptic clamp union

货号代码Code : DIN-EGL620-000-0001

货号代码Code : 3A-EGL620-000-0001

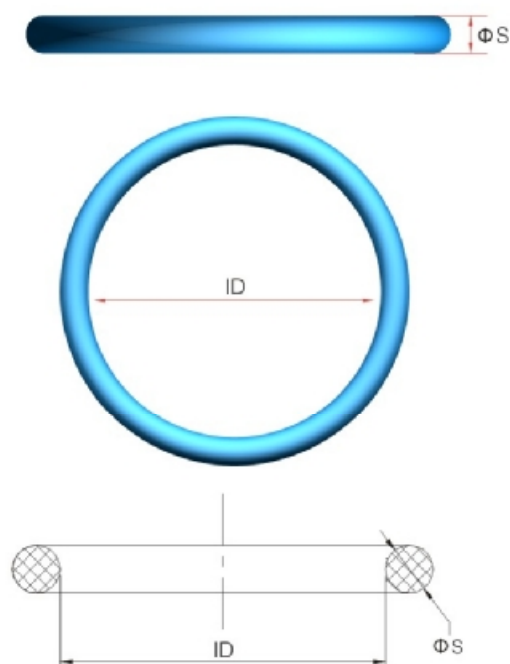


SIZE		ID	ΦS
DIN系列 series	3A系列 series		
DN10	1/2"	12	3.5
DN15	3/4"	18	
DN20	-	22	
	1"	24	
DN25	-	28	
DN32	-	34	5.0
	1.5"	37	
DN40	-	40	
	2"	50	
DN50	-	52	
	2.5"	62	
DN65	-	68	
	3"	75	
DN80	-	83	
	4"	100	
DN100	-	102	
DN125	-	127	
DN150	-	152	

注意: 该垫圈适用范围, 只要对应规格, 即可适用到各种无菌系列配套;
Notice: As long as correspond to size, the gasket could be use in various asptic series

罐体连接器-无菌系列-垫圈(O型圈) Tank connector/aseptic series/seal (O ring seal)

价格适用于Apply to: DIN ASME BPE ISO 3A ; 无菌法兰&无菌螺纹由任&无菌卡箍由任

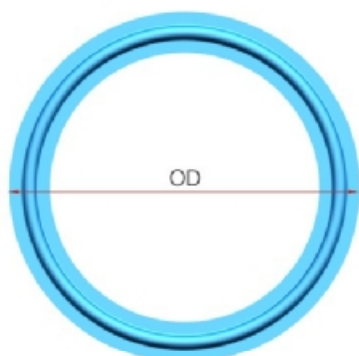


SIZE		ID	ΦS
DIN系列 series	3A系列 series		
DN10	1/2"	12	3.5
DN15	3/4"	18	
DN20	-	22	
	1"	24	
DN25		28	
DN32	-	34	5.0
	1.5"	37	
DN40		40	
	2"	50	
DN50		52	
	2.5"	62	
DN65		68	
	3"	75	
DN80		83	
	4"	100	
DN100		102	
DN125		127	
DN150		152	

注意: 该垫圈适用范围, 只要对应外径和内径即可适用到各种标准卡箍接头配套;
Notice: As long as correspond to OD and ID size, the gasket can be use in various standard clamp ferrule

罐体连接器-卡箍接头-垫圈 Tank connector/Clamp ferrule/gasket

价格适用于Apply to: DIN 32676&ASME BPE &ISO1127&ISO1852&SMS



SIZE		OD
DN10	1/2"	34
DN15	3/4"	34
DN20	-	34
DN25	1"	50.5
DN32	-	50.5
DN40	1.5"	50.5
DN50	2"	64
-	2.5"	77.5
DN65	3"	91
DN80	-	106
DN100	4"	119

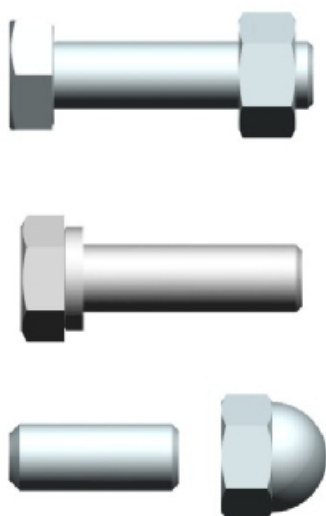
注意: 该垫圈适用范围, 只要对应外径和内径即可适用到各种标准卡箍接头配套;
Notice: As long as correspond to OD and ID size, the gasket can be use in various standard clamp ferrule

无菌系列 Sterile series



无菌系列-螺栓&螺母 Aseptic series bolt and nut

价格适用于Apply to: DIN 11853; DIN 11864;



SIZE		螺栓/螺母 Bolt /nut	
		数量 Quantity	螺栓规格 Bolt size
		螺纹 Thread	长度 Length
DN10	1/2"	4	M8 30
DN15	3/4"	4	M8 30
DN20	-	4	M8 30
DN25	1"	4	M8 30
DN32	-	4	M8 30
DN40	1.5"	4	M8 30
DN50	2"	4	M8 30
DN65	2.5"	8	M8 30
DN80	3"	8	M10 35
DN100	4"	8	M10 40
DN125	-	8	M10 40
DN150	-	8	M12 50



CHINA DONJOY TECHNOLOGY CO.,LTD.

DONJOY looking forward to your visit! Your telecommunications!



中国·东正 科技有限公司

温州空港新区：
温州通海大道港富路25号
总机：0577-86990888
传真：0577-86998000

Wenzhou airport Area:
No.25 Gangfu Road,Tonghai Avenue,
wenzhou
Tel: +86-577-86990888
Fax: +86-577-86998000
E-mail: donjoy@cndonjoy.com

www.cndonjoy.com

法律声明：

目录样册版本属东正所有，如有抄袭东正将追究其法律责任和经济赔偿。东正已获得国家版权局书刊号。东正众多技术设计，都具有专利保护，如有抄袭，东正必将追究法律责任和经济赔偿。