

# 角座阀

Angle seat valve



国家高新技术企业 浙江省著名商标  
[www.cndonjoy.com](http://www.cndonjoy.com)

东正一直致力于重大技术进步，是您值得信赖的事业伙伴！  
Donjoy committing to major technological advances, is your reliable business partner!

0.1	自控调节阀+控制器 Automatic control regulating valve +Control head
0.2	生物制药隔膜阀 Biopharmaceutical diaphragm valve
0.3	高洁净泵 High purity pumps
0.4	防混蝶阀+蝶阀 Mixing proof butterfly valve +Butterfly valve
0.5	球阀 Ball valve
0.6	截止换向阀+防混阀+罐底阀 Divert seat valve+Mixing proof valve +Tank bottom valve
0.7	角座阀+截止阀 Angle seat valve+Globe valve
0.8	止回阀+恒压阀+安全阀+减压阀 Check valve+constant pressure valve+safety valve +air release valve
0.9	清洁技术+取样阀+视镜+照明技术 Clean technology+sample valve+sight glass +lighting technology
0.10	过滤器+人孔 Filter+man hole cover(manway)
0.11	卫生管件 Sanitary fittings ASME BPE DIN11852 Bs4825 SMS ISO IDF 3A



注意：  
目录技术资料仅供设计参考，  
设计更新和技术升级恕不另行通知！

不断革新的技术、日新月异的市场发展和客户需求是当今我们面临的巨大挑战。面对这些挑战我们信心十足，因为东正高度专业化的产品和技术创新，是我们未来将以更高、更优的产品来满足不断增长的市场需求。

Technological innovation, rapid development of the market and customer needs are the greatest challenges facing us today. Facing with these challenges we are confident, because of highly professional products and technological innovation, we will meet the growing demand of market and customer with our better and better products.

法律声明：  
目录样册版本属东正所有，如有抄袭东正将追究其法律责任和经济赔偿。  
东正众多技术设计，都具有专利保护，如有抄袭，东正必将追究法律责任和经济赔偿。

# 领先源于创新 创新源于专业

## 东正的专业与品质的邂逅源于创新的精神



现代化工厂已经投产，期待您的光临！  
温州空港经济园区生产基地  
Wenzhou airport economic zone production base

占地面积29000m<sup>2</sup>，总投资1.2亿元，新引进ABB工业机器人、日本马扎克5轴加工中心、ABB机器人抛光设备。

Covering an area of 29000 m<sup>2</sup>, with total investment after construction is expected to 120 million yuan, introduces new ABB industrial robot, Japan mazar-e-sharif grams of five axis machining center, ABB machine Polishing equipment.

东正创立于1993年，注册资金5508万，是一家专注于研发高品质PID过程控制器、阀门定位器、流量控制器，阀门控制单元，高洁净过程控制阀、智能自控阀，高洁净泵、高洁净管材和管道配件。公司高度专业化的产品和技术专注于生物制药、食品饮料、酿酒、精细化工等工业领域。东正众多的创新解决方案，对满足全球，尤其是新兴市场不断增长生物制药和食品饮料行业的需求起到了积极作用。

东正制造的产品母材料、加工技术、焊接技术、表面处理等技术指标均已达到国内外先进水平。且符合ASME BPE、EHEDG、FDA、3A等一系列国际标准和规范要求，先后通过了由德国TÜV机构实施的欧盟承压设备指令(PED-97/23/EC)和(MD-06/42/EC)认证、美国3A机构实施的3-A卫生标准认证、中国安全阀特种制造设备(TS)许可证和中国质量认证中心CQC ISO9001:2008质量管理体系认证等多项国际权威认证。

东正凭借先进的技术、优异的品质和完善的售后服务体系，先后被评定为国家高新技术企业，省著名商标、省科技型企业、创新型企业、专利示范企业、研发中心企业，守合同重信用AAA企业等众多荣誉。



# 关于东正 About DONJOY

Donjoy was built up in 1993, with registered capital RMB 55,08 millions. We focus on developing high quality PID process controller, the valve positioner, the flow controller, the valve control unit, high purity process control valve, intelligent self-control valve, high purity pump, high purity tubing fitting and pipeline accessories. Donjoy's products and technologies are widely used in biopharmaceutical, food, drink, wine fine chemicals and other industrial fields. Donjoy's innovation solutions meet the growing demand of the industry of biopharmaceutical, food and beverage from the whole world, especially the emerging market.

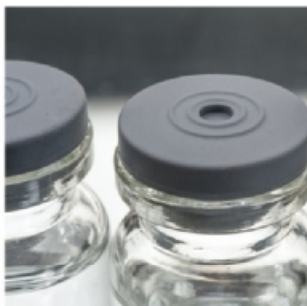
Raw material, processing technology, welding technology, surface treatment from Donjoy have achieved advanced levels of domestic and foreign market. Donjoy productions according to ASME BPE, EHEDG, FDA and 3A standard, get certificate of PED-97/23/EC and MD-06/42/EC issued by TUV, 3A issued by 3A organization, TS licence and ISO9001:2008.

Donjoy with advanced technology, excellent quality and perfect after-sales service system, has been assessed as the national high-tech enterprises, the Provincial Famous Trademark, the Provincial Science and Technology Enterprises, Innovative Enterprises, Patent Model Enterprises, R & D Center, AAA Credit Enterprises.



创立于2005年现代化工厂  
温州滨海经济开发区生产基地  
Wenzhou binhai economic development zone production base

**DONJOY high-purity valve, pump, control system, pipe and accessories, provide the most excellent solution for various business scopes.**



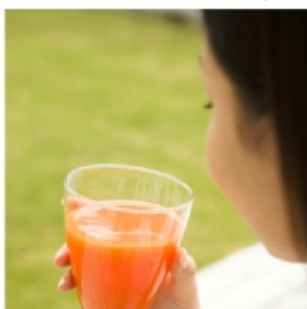
Biopharmaceutical



Dairy



Food



Beverage



Water Processing



Brewing



Fine Chemical

# 制造与检验 Manufacturing and testing



机器人生产线 Robot production line

全自动弯管设备 Automatic pipe bending equipment

DONJOY以科学技术是第一生产力，也是企业核心竞争力，只有不断投入核心技术研发和创新，不断追求卓越，精益求精、以先进生产设备，严格的质量管理体系，精密的生产检测流程，保证每一款产品优良的性能。

Science and technology constitute a primary productive force, also the core competitive strength of the enterprise. Continuously intensifying the research, development and innovation of core technology, pursuing prominence and keeping improving, ensuring the excellent quality and performance of every single product by advanced production equipment, strict quality control and precise production and inspection procedures.



# 荣誉与资质

## Honor and qualification

	<p><b>3A</b></p> <p>东正是美国3A认证组织的金牌赞助商，3A是一个自愿组织，致力于维护公共卫生和奶制品产品质量通过独特的行业监管程序的设备，用于处理乳制品的卫生标准3A认证。 东正通过认证产品，阀门系列55-02-1783、64-00-1784、84-02-1786、85-03-1787、53-06-1782、54-02-1580、68-00-1785，管件(63-03)证书号(1581)等多种规格型号。</p>
	<p><b>PED/97/23/EC &amp; MD/06/42EC</b></p> <p>东正通过了TUV 欧共体压力设备97/23/EC质量保证模式H&amp;材料(管件)制造认证。 阀门证书 NO.CE 0036 泵类证书 NO.705201402401-00</p>
	<p><b>FDA177.2600</b></p> <p>东正生产的阀门和泵以及流体设备等，与物料接触密封圈全部通过或符合美国食品和药品管理局和联邦法规第21条即，CRF 21 FDA177.2600和FDA177.1550认证，其涵盖： EPDM VITON(FPM) SILICON HNBPTFE橡胶塑料材料等。</p>
	<p><b>ISO9001/2008</b></p> <p>东正通过中国质量认证中心CQC，ISO9001-2008/GB/T19001-2008企业质量管理体系认证。其证书编号: 00108Q24215R1M/3302</p>
	<p><b>卫生许可证</b></p> <p>东正通过了省卫生厅卫生阀门、卫生管件等检验，且获得了其颁发的证书，其编号: So083。 其许可证为国家出台的生活饮用水卫生监督管理方法证书。</p>
	<p><b>高新技术企业</b></p> <p>东正通过多年发展和技术创新已获得了多项国家发明专利，100多项实用新型专利，现已成为国家高新技术企业。</p>
	<p><b>浙江省著名商标</b></p> <p>东正09年获得了温州市著名商标，2012年获得了浙江省著名商标。</p>

DONJOY不但拥有以上认证和荣誉，且被评定为省科技型、创新型、专利示范、研发中心、守合同守信用企业等众多的荣誉证书。



Power: DC24V/10W  
Type: 014 200x3 3/16"  
Diameter: 014 200x3 3/16"  
Material: Inconel 600  
Pressure: 15  
Protection: IP65 w/ 140020

DONJOY

DONJOY

# 角座阀

## Angle seat valve

DONJOY 创新设计  
专利保护

新一代设计、无死角、高洁净，流量调节更精准

### 应用

角座阀是自动控制系统中常用的管路开关，被广泛应用于印织、印染、漂白、食品、洗涤、化工、水处理、医药等各种自动机械设 备，具有抗水锤、无噪声、密封性能可靠等特点。

### Applications

Angle seat valve is a general switch in the automatic control system is widely used in printing, dyeing, bleaching, food, washing, chemical, water treatment, pharmacy and other automated machinery and equipment. It featured with water hammer protection, noise-free, reliable sealing performance.

### 设计和特点

- ◆规格: 1/2"-3", DN10-DN80
- ◆材质: CF8/304、CF8M/316
- ◆连接标准: 螺纹、卡箍、法兰、BSP、BSP、NPT、DIN
- ◆工作压力: 8bar(标准) 10bar(选项)
- ◆工作温度: 120°C(标准) 180°C(选项)

### Design and features

- ◆Size: 1/2"-3", DN10-DN80
- ◆Material: CF8/304, CF8M/316
- ◆Connect : Thread, Clamp, Flange, BSP, BSPT, NPT, DIN
- ◆Working pressure: 8 bar (standard) 10 bar (option)
- ◆Working temperature: 120°C (standard) 180 °C (option)

### 操作方式

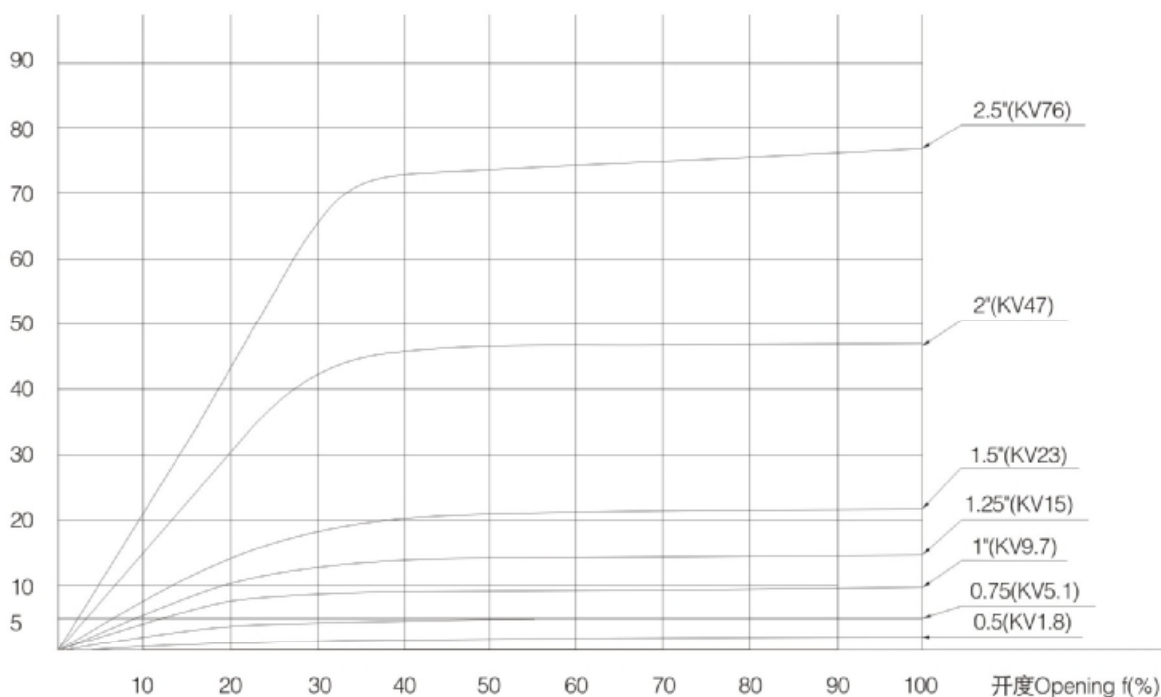
- ◆手动: 塑料手轮、不锈钢手轮、微调手轮
- ◆气动: 塑料和不锈钢执行器
- ◆气动控制方式: 定位器、过程控制器、阀门控制单元、位置传感器

### Operating mode

- ◆Manual: plastic handwheel, stainless steel wheel, fine-tuning hand wheel
- ◆Pneumatic: plastic and stainless steel actuators
- ◆Pneumatic control mode: valve positioner, process controller, the control unit, Position sensor

### 角座流量/选择(开度f)图表 Choose(opening f)diagram

Flow Q 流量Q(M<sup>3</sup>/h)  $Q=KV \cdot \sqrt{\Delta P}$



注意:上面图表适用于, 介质:水(20°C) Attention:above diagram suit for the medium,water(20°C)





# 角座阀 Angle seat valve



不锈钢气动角座阀+定位器  
Stainless steel pneumatic Angle seat valve + locator

- ◆全不锈钢执行器
  - ◆手动气动可互换
  - ◆配置有阀门定位器: 0/5-20mA, 0-5/10V信号输入(标配)
  - ◆0/4-20mA, 0-5/10V信号输出(选项)
  - ◆DEVICE NET 总线通讯(选项) 定位器详细资料查阅定位器参数
- ◆Stainless steel actuator
  - ◆Manual and pneumatic interchangeable
  - ◆Equipped with valve positioner: 0/5-20 mA, 0-5/10V signal input (standard)
  - ◆0/4 -20mA, 0-5/10V signal output (option)
  - ◆DEVICE NET bus communication (option), detailed information of locator to locator



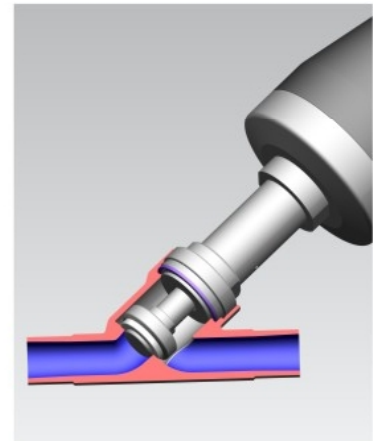
气动角座阀+MINI C-TOP控制单元  
Pneumatic Angle seat valve + MINI C - TOP control unit

- ◆配置的特点
  - ◆位置反馈, 可目测开(绿灯)关(红灯)
  - ◆内置电磁阀
  - ◆点动按钮设计(方便调试)
  - ◆可与PLC系统实现自动化控制
  - ◆电源DC 24V
  - ◆输出信号:PNP 4-20mA
- ◆Configuration features
  - ◆Position feedback, Can be viewed on (Green) and off (Red)
  - ◆Built-in Solenoid valve
  - ◆Press button design (convenient to calibrate)
  - ◆Press with PLC system to automatic control
  - ◆Power: DC 24V
  - ◆Signal output:PNP 24V, 4-20mA



气动角座阀+阀位调节器  
Pneumatic Angle seat valve + valve position regulator

- ◆该设计具有阀位可调节功能, 与阀门定位器比较有着成本的优势, 但不能实现实时流量调节, 只能通过手动调节阀位实现流量调节。
  - ◆调节原理, 手轮旋转至需要位置, 再将调节器并帽拧紧即可。
- ◆This design with valve position adjustment function, and compared with valve positioner, this regulator with a cost advantages, but can't realize real-time flow control. Only through the manual valve position to realize flow control.
  - ◆Adjust principle, the handwheel turn to the



气动角座阀+位置反馈器  
Pneumatic Angle seat valve + Position feedback (F-TOP-1553)

- ◆位置反馈输出: PNP, 4-20mA
- ◆Signal feedback output:PNP, 4-20mA

## 新一代高洁净设计的角座阀

- 无死角、无滞留满足各种卫生要求。
- ◆优势:
    - 阀芯无螺栓, 无需考虑螺栓掉落损坏其他设备风险;
    - 阀体无死角, 无需考虑因结构复杂而产生死角。
  - ◆温度: 最高温度高达200(取决于密封选型)
  - ◆密封: 弹性轴密封、嵌入式阀芯设计



Power: DC24V±10%  
Input: 0.4-20mA @ 5/10V  
Output: 0.4-20mA @ 5/10V  
Control: Device Net bus  
Precision: 1%  
Protection: IP65 to EN60529

DONJOY

DONJOY 东正



# 角座阀

## Angle seat valve



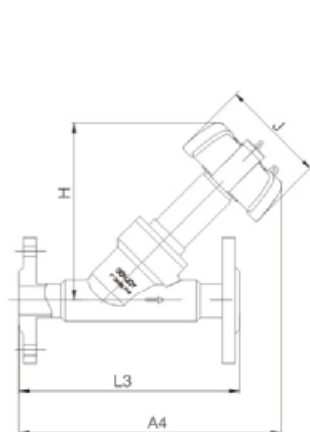
塑料手轮手动角座阀  
Plastic handwheel manual Angle seat valve

SIZE: 1/2"-4", DN10-DN100

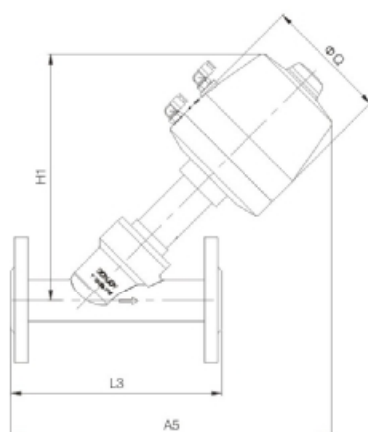


不锈钢手轮手动角座阀  
Stainless steel handwheel manual Angle seat valve

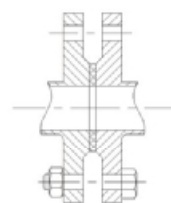
SIZE: 1/2"-4", DN10-DN100



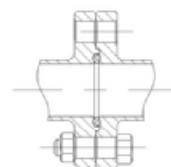
NO.VJZ140S1



NO.VJZ140Q2



普通法兰-PN10kg



无菌法兰(可选)  
DIN11864-2-A

注意：法兰有两种设计：无菌法兰和基本法兰，订购时请说明  
Note: There are two flange design: Aseptic flange and basic flange, please specify when ordering

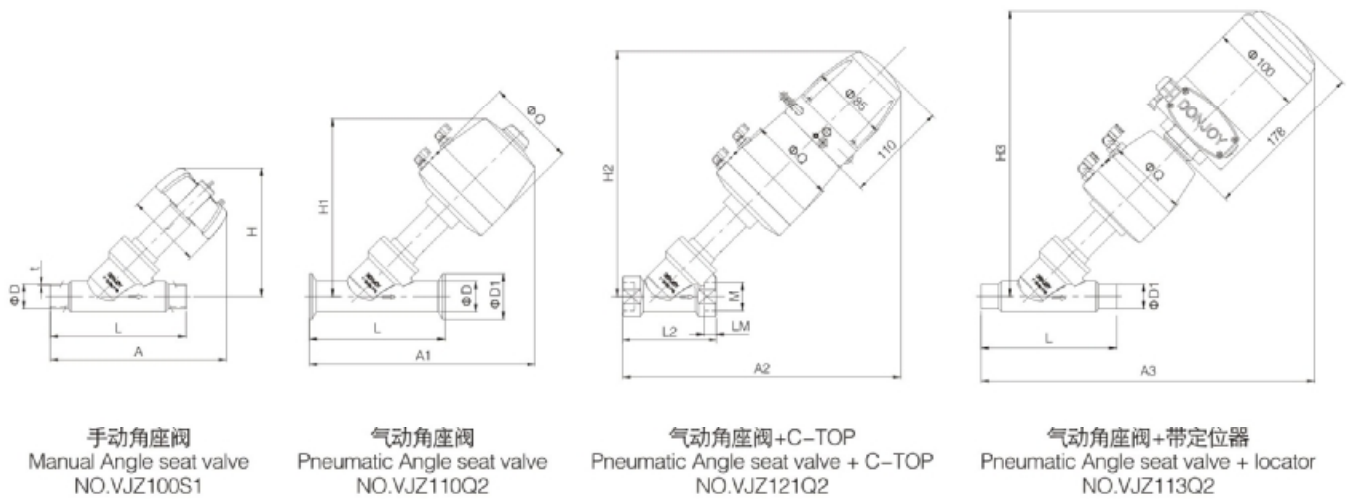
INCH									
SIZE	t/mm	D	L3	A4	A5	H	H1	Q	J
0.5"	1.5/1.65	12.7	163	207.5	242	141.5	173	70	87.2
0.75"	1.5/1.65	19.1	163	209.5	242	141.5	173	70	87.2
1"	1.5/1.65	25.4	174	211	268	145	202	100	87.2
1.25"	1.5/1.65	31.8	208	246	286	175	215	100	114
1.5"	1.5/1.65	38.1	212	248	288	175	215	100	114
	1.5/1.65	38.1	212	248	323	175	250	135*	114
2"	1.5/1.65	50.8	235	282	359	193	270	135	138
2.5"	1.65/2.0	63.5	240	291	366	220	290	135	138
3"	1.65/2.0	76.2	240	291	366	220	290	135	138

注：\*为选项可以满足10bar压力。如需配置不锈钢手轮和不锈钢气动执行器可参照以上参数即可  
Note: \* Option to meet 10bar pressure.

Configuration: Stainless steel hand wheel and stainless steel pneumatic actuators can refer to the above parameters.

DIN									
SIZE	t/mm	D	L3	A4	A5	H	H1	Q	J
DN10	1.5	13	163	207.5	242	141.5	173	70	87.2
DN15	1.5	18/19	163	209.5	242	141.5	173	70	87.2
DN25	1.5	28/29	174	211	268	145	202	100	87.2
DN32	1.5	34/35	208	246	286	175	215	100	114
DN40	1.5	40/41	212	248	288	175	215	100	114
	1.5	40/41	212	248	323	175	250	135*	114
DN50	1.5	52/53	235	282	359	193	270	135	138
DN65	2.0	70	240	291	366	220	290	135	138





### INCH

SIZE	t/mm	D	D1	L	L2	A	A1	A2	A3	H	H1	H2	H3	LM	M BSPT /NPT	Q	J
0.5"	1.5/1.65	12.7	25.4	145	95	197.5	232	310	360	141.5	173	275.5	325	14	0.5"	70	87.2
0.75"	1.5/1.65	19.1	25.4	145	95	197.5	232	310	360	141.5	173	275.5	325	14	0.75"	70	87.2
1"	1.5/1.65	25.4	50.5	152	105	199	256	319	370	145	202	282	330	16	1"	100	87.2
1.25"	1.5/1.65	31.8	50.5	182	120	232	272	330	380	175	215	295	343	16	1.25"	100	114
1.5"	1.5/1.65	38.1	50.5	182	130	232	272	335	385	175	215	295	343	18	1.5"	100	114
	1.5/1.65	38.1	50.5	182	130	232	307	370	420	175	250	330	378	18	1.5"	135"	114
2"	1.5/1.65	50.8	64	210	155	268	345	400	450	193	270	350	398	24	2"	135	138
2.5"	1.65/2.0	63.5	77.5	210	255	275	350	446	496	220	290	370	418	28	2.5"	135	138
3"	1.65/2.0	76.2	91	210	255	275	350	446	496	220	290	370	418	28	3"	135	138

### DIN

SIZE	t/mm	D	D1	L	L2	A	A1	A2	A3	H	H1	H2	H3	LM	M BSPT /NPT	Q	J
DN10	1.5	13	34	145	95	197.5	232	310	360	141.5	173	275.5	325	14	0.5"	70	87.2
DN15	1.5	18/19	34	145	95	197.5	232	310	360	141.5	173	275.5	325	14	0.75"	70	87.2
DN25	1.5	28/29	50.5	152	105	199	256	319	370	145	202	282	330	16.8	1"	100	87.2
DN32	1.5	34/35	50.5	182	120	232	272	330	380	175	215	295	343	16	1.25"	100	114
DN40	1.5	40/41	50.5	182	130	232	272	335	385	175	215	295	343	18	1.5"	100	114
	1.5	40/41	50.5	182	130	232	307	370	420	175	250	330	378	18	1.5"	135"	114
DN50	1.5	52/53	64	210	155	268	345	400	450	193	270	350	398	24	2"	135	138
DN65	2.0	70	91	210	255	275	350	446	496	220	290	370	418	28	2.5"	135	138

注：\*为选项可以满足10bar压力。如需配置不锈钢手轮和不锈钢气动执行器可参照以上参数即可  
 Note: \* Option to meet 10bar pressure.  
 Configuration: Stainless steel hand wheel and stainless steel pneumatic actuators can refer to the above parameters.



# CHINA DONJOY TECHNOLOGY CO.,LTD.

DONJOY looking forward to your visit! Your telecommunications!



中国·东正  
科技有限公司

地址: 温州龙湾区空港新区港富路25号  
总机: 0577-86990888  
传真: 0577-86998000

Add : No.25 Gang fu Road,  
kong gang new District,  
Longwan Wenzhou,China  
Tel: +86-577-86990888  
Fax: +86-577-86998000  
E-mail: donjoy@cndonjoy.com

[www.cndonjoy.com](http://www.cndonjoy.com)

法律声明:

目录样册版本属东正所有, 如有抄袭东正将追究其法律责任和经济赔偿。  
东正众多技术设计, 都具有专利保护, 如有抄袭, 东正必将追究法律责任和经济赔偿。